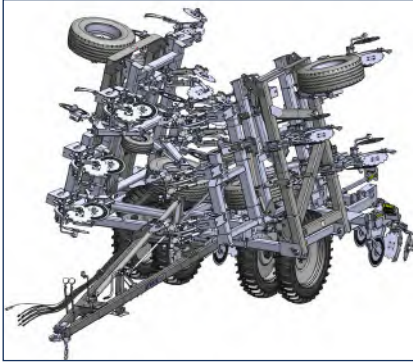


BLU-JET® NH3 Applicator
by Unverferth



AT6020

Serial Number A66360100 & Higher

Part No. J0606020

Foreword



This symbol identifies important safety messages. When you see it, read the message that follows and be alert to the possibility of personal injury.

Remember, safety instructions stated in this manual are for your protection. Read them carefully and follow them closely when working around or using this machine.

Read and study this manual completely before attempting to operate this implement. Take this manual to the field for handy reference when operating, adjusting, or servicing your machine.

When referenced, “Right-Hand” (RH) and “Left-Hand” (LH) side of the machine are determined by standing behind the machine and facing in the direction of travel.

Pre-Delivery Checklist

- Hardware tightened
- Machine lubricated
- Safety and operating procedures reviewed
- Field adjustment information reviewed
- Warranty information reviewed

IMPORTANT

The information, specifications, and illustrations in the manual are based on the information available at the time it was written. Due to continuing improvements in the design and manufacture of Unverferth products, all specifications and information contained herein are subject to change without notice.

Product Information

When ordering parts or when requesting further information or assistance, always give the following information:

- Machine name
- Model
- Serial number

All products manufactured by Blu-Jet are warranted to be free from material and workmanship defects for one full year from time of consumer delivery. Your local dealer will gladly assist you with any warranty questions.

Please fill out and retain this portion for your records.

Purchase Date _____ Model _____ Serial Number _____

Dealer _____ City _____

Dealer Contact _____ Phone _____

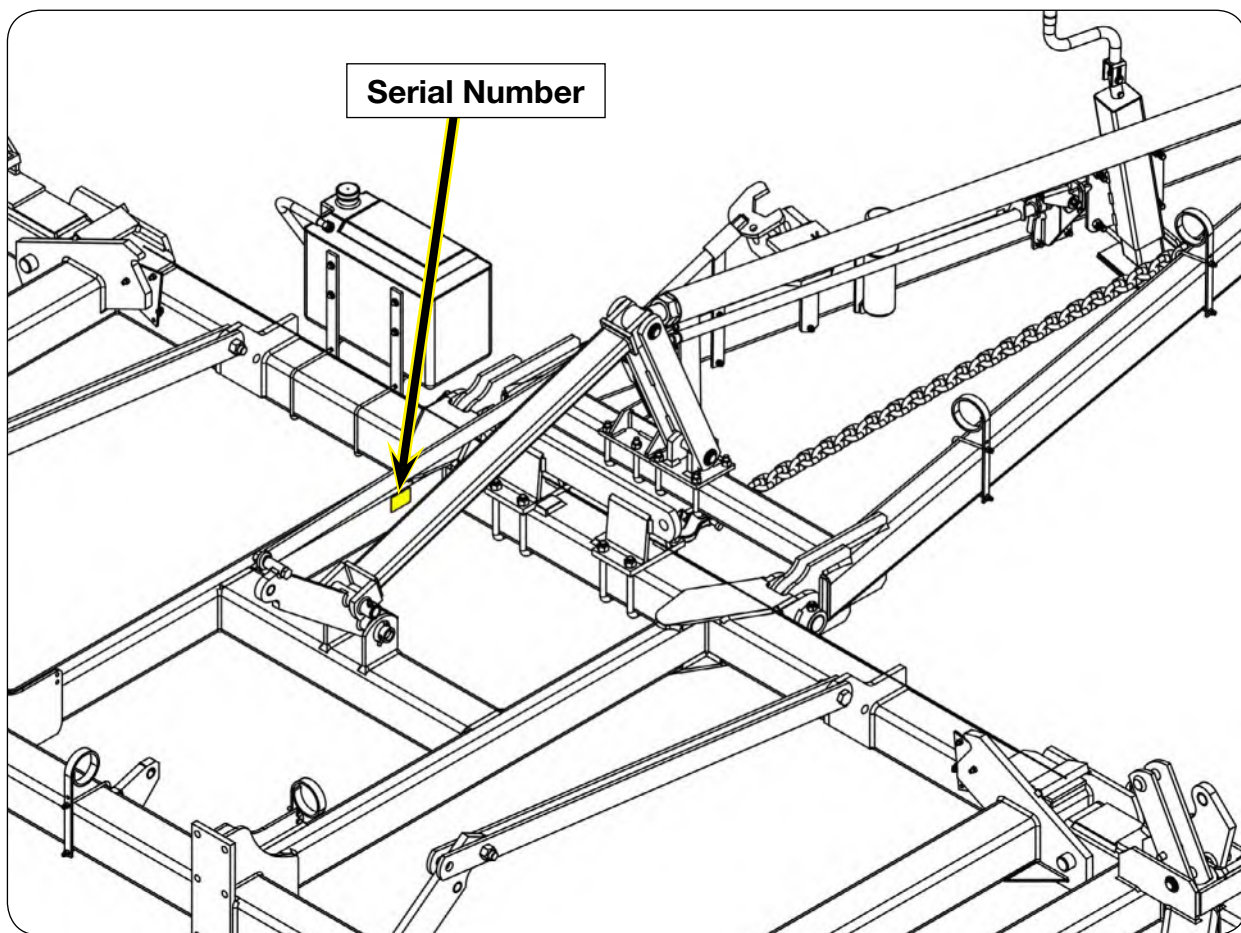


TABLE OF CONTENTS

Foreword 2
Pre-Operation Checklist 2

**SECTION I
Safety**

General Hazard Information 1-2
Safety Decals 1-3
Following Safety Instructions 1-6
Before Servicing 1-6
Before Operating 1-7
During Operation 1-7
Before Transporting 1-8
During Transport 1-8
Pressurized Oil 1-9
Chemical Hazards 1-9
Anhydrous Ammonia (NH₃) 1-10
Preparing for Emergencies 1-11
Wearing Protective Equipment 1-11

**SECTION II
Set Up**

Set Up 2-2
Tongue Assembly to Main Frame Assembly 2-3
Attaching Hydraulic Hoses 2-5
Nurse Tank Hitch Assembly 2-6
SuperShooter Assembly 2-7
Transport Lighting Assembly 2-12
SMV Assembly 2-16
Clean Water Tank Location and Assembly 2-17
Mounting Offset Stagger & Double Extension Brackets 2-18
Sealer II Assembly (JAAM2857) - Optional Sealer II Spring Add-On Kit 2-19
Torsion Arm Assembly 2-20
 Attaching Bearings and Basket to Mounting Arms 2-20
 Position Basket on Torsion Spring Assembly 2-20
 Center Basket 2-21
 Attaching Torsion Arm Assembly to MaxPac Basket Mount Arm 2-21
 Attaching Torsion Arm Assembly to 6"x6" Tube (JAAM2630) 2-22
 Attaching Torsion Arm Assembly to 4"x6" Tube (JAAM2722) 2-23
MaxPac AR700 Assembly 2-24
Residue Manager Assembly 2-25
DiscCover Sealer Assembly 2-25
Setting The Implement For Field Operation 2-26
AT6020 Toolbars 2-28
Overhead Layouts 2-29

TABLE OF CONTENTS

SECTION III
Operation

Preparing Tractor3-2

Preparing Applicator.....3-2

 Hardware.....3-2

 Pivot Pins3-2

 Hitch3-2

 Hydraulic System.....3-2

 Tires/Wheels.....3-3

 Lubrication3-3

Hitching to the Tractor.....3-4

 Drawbar Hitching.....3-4

 Transport Chain3-5

 Hydraulic Connections.....3-6

 Electrical Connection3-6

Jack Usage.....3-7

 Parked Position.....3-7

 Transport Position.....3-7

Transporting3-8

 Drawbar Connection3-8

Toolbar Operation.....3-9

 Leveling Machine.....3-9

 Leveling Adjustable Gauge Wheels.....3-10

 Swing Adjust Gauge Wheels3-11

 Depth Adjustment3-12

 Locking Depth Adjustment Linkage.....3-12

Folding Toolbar.....3-13

Secondary Wing Latch.....3-14

Hydraulic System Charging.....3-14

Nurse Tank Hitch.....3-15

Anhydrous Ammonia Operating Instructions3-16

 Checking System.....3-17

 Connecting Nurse Tank3-17

 Disconnecting Nurse Tank.....3-18

Clean Water Tank3-19

DiscCover Sealer (Options).....3-19

Torsion Arm Basket (Options).....3-19

SuperShooter (Options)3-20

MaxPac AR700 (Options)3-20

Residue Manager (Options).....3-20

Operational Guide For Various Residue Situations.....3-21

TABLE OF CONTENTS

SECTION IV
Maintenance

Lubrication	4-2
AT6020 Maintenance	4-4
Seasonal Storage.....	4-4
Purging A Hydraulic System.....	4-5
Coupler Operations	4-6
Schematics.....	4-8
Wheel, Hub and Spindle Disassembly and Assembly.....	4-19
Wheels and Tires.....	4-21
Wheel Nut Torque Requirements.....	4-21
Tire Pressure	4-22
Tire Warranty.....	4-23
Complete Torque Chart.....	4-24
Hydraulic Fittings - Torque and Installation.....	4-26
NH3 Fittings - Torque and Installation.....	4-27

TABLE OF CONTENTS

SECTION V
Parts

Clean Water Tank Components	5-2
Hitch, Transport Chain, Manual Holder and Jack Components	5-4
Depth Control Components	5-6
Main Frame Components.....	5-8
Main Frame Transport Wheel Components.....	5-10
Primary Wing Components	5-12
Secondary Wing and Linkage Components.....	5-14
Wing Gauge Wheels Components.....	5-16
Third Wing and Linkage Components.....	5-18
Swing Adjust Gauge Wheel Components	5-20
Hub and Spindle Components (JAAM2800) For 295/75R22.5 Tires.....	5-22
Hub and Spindle Components (JAAM2800-1) For 385/65R22.5 Tires	5-23
Hub and Spindle Components (JAAM2788-1) For 385/85R34 Tires	5-24
Hub and Spindle Components (JAAM2705) 611 Model Hub.....	5-25
Hub and Spindle Components (JAAM2707) 511 Model Hub.....	5-26
Decals	5-27
Main Frame to Primary Wing Hydraulics.....	5-28
Main Frame Transport Wheel & Frame Leveling Hydraulics.....	5-30
Primary Wing Gauge Wheel Hydraulics	5-32
Primary Wing to Secondary Wing Hydraulics	5-33
Secondary Wing Gauge Wheel Hydraulics.....	5-34
Secondary Wing to Third Wing Hydraulics (Toolbars Over 48')	5-35
Offset Stagger Bracket & Bracket Extension Components	5-36
Super 1200 Flex Coultter Hub Assembly Components.....	5-38
Super 1200 Flex Coultter & Post Assembly	5-38
Super 1200 Flex Coultter Assembly Components.....	5-39
SealPro II (JAAM2856) & Blades For 1 1/4" Edge Bent Shank.....	5-40
DiscCover Sealer (JAAM2893) For 1 1/4" Edge Bent Shank	5-42
Disc Sealer Spring Add-On Kit (JAAM2857) Optional.....	5-44
Sealer Hanger with Blade Mounting (JAM2481).....	5-45
Coultter Mounting Bracket Components	5-46
Row Clamp w/EdgeBent Shank & Coultter Mount (JAAM2132).....	5-47
Shank Assembly, 1 1/4" EdgeBent SCS, Less Coultter.....	5-48
Row Clamp, 1 1/4" EdgeBent MaxPac w/Shank & Coultter Mount	5-50
MaxPac Basket Mount Arm Components (JAAM2623).....	5-51
Coultter Bracket Extension 9 7/8" Kit (JAAM2637).....	5-52
Coultter Bracket Extension 16 7/8" Kit (JAAM2852).....	5-53
Nurse Tank Hitch Assembly Components.....	5-54
Nurse Tank Hitch, Low Mounting Components.....	5-56
Auto-Lok Nurse Tank Hitch Components	5-57
SuperShooter III Connection - Single 1.25" Plumbing	5-58
SuperShooter III Connection - Double 1.25" Plumbing	5-60
SuperShooter III Components - 1.25" Connection.....	5-62
SuperShooter III Single 1 1/4" Asy, Less Distribution.....	5-64
SuperShooter III Max Single 1 1/2" Asy, Less Distribution	5-65

(Continued)

TABLE OF CONTENTS

SECTION V
Parts (continued)

SuperShooter III Connection - Single 1.5" Plumbing 5-66

SuperShooter III Connection - Double 1.5" Plumbing 5-68

SuperShooter III Max Components - 1.5" Connection..... 5-70

Impellicone and Mounting Hdw - 2 Section John Blue 5-72

Impellicone and Mounting Hdw - 3 Section John Blue 5-74

Impellicone and Mounting Hdw - 4 Section John Blue 5-76

Impellicone and Mounting Hdw - 5 Section John Blue 5-78

Manifold and Mounting Hdw - 2 Section Continental..... 5-80

Manifold and Mounting Hdw - 3 Section Continental..... 5-82

Manifold and Mounting Hdw - 4 Section Continental..... 5-84

Manifold and Mounting Hdw - 5 Section Continental..... 5-86

Distribution 2-Section Hoses and Electrical Components 5-88

Distribution 3-Section Hoses and Electrical Components 5-90

Distribution 4-Section Hoses and Electrical Components 5-92

Distribution 5-Section Hoses and Electrical Comp onents 5-94

1.5" Flow Control Valve 5-96

1.0" Flow Control Valve (Optional)..... 5-98

Cooler - Vortex 5-100

Cooler - Continental (Optional)..... 5-102

ISOBUS Rate Controller 5-104

Raven 450 Rate Controller Option 5-105

Torsion Arm Basket (Short Arms) Components..... 5-106

Torsion Arm/Rigid Basket Mounting Brackets 5-107

Basket Flat Mount with Hardware 5-108

Residue Manager Blade Mounting Assembly (JAM7670)..... 5-109

StripTill Residue Manager Components (J70210646) 5-110

Lighting Components 5-112

SECTION I
Safety

General Hazard Information 1-2
Safety Decals..... 1-3
Following Safety Instructions..... 1-6
Before Servicing 1-6
Before Operating..... 1-7
During Operation..... 1-7
Before Transporting..... 1-8
During Transport 1-8
Pressurized Oil..... 1-9
Chemical Hazards 1-9
Anhydrous Ammonia (NH₃)..... 1-10
Preparing for Emergencies 1-11
Wearing Protective Equipment..... 1-11

General Hazard Information

No accident-prevention program can be successful without the wholehearted cooperation of the person who is directly responsible for the operation of the equipment.

A large number of accidents can be prevented only by the operator anticipating the result before the accident is caused and doing something about it. No power-driven equipment, whether it be transportation or processing, whether it be on the highway, in the field, or in the industrial plant, can be safer than the person who is at the controls. If accidents are to be prevented--and they can be prevented--it will be done by the operators who accept the full measure of their responsibility.

It is true that the designer, the manufacturer, and the safety engineer can help; and they will help, but their combined efforts can be wiped out by a single careless act of the operator.

It is said that, "the best kind of a safety device is a careful operator." We, at Unverferth Mfg. Co., Inc. ask that you be that kind of operator.



**REMEMBER:
THINK SAFETY
A CAREFUL OPERATOR IS THE
BEST INSURANCE AGAINST AN
ACCIDENT!**

SIGNAL WORDS



INDICATES AN EXTREMELY HAZARDOUS SITUATION OR ACTION THAT WILL RESULT IN SERIOUS INJURY OR DEATH.



INDICATES A HAZARDOUS SITUATION OR ACTION THAT COULD RESULT IN SERIOUS INJURY OR DEATH.



INDICATES AN UNSAFE SITUATION OR ACTION THAT MAY RESULT IN PERSONAL INJURY.

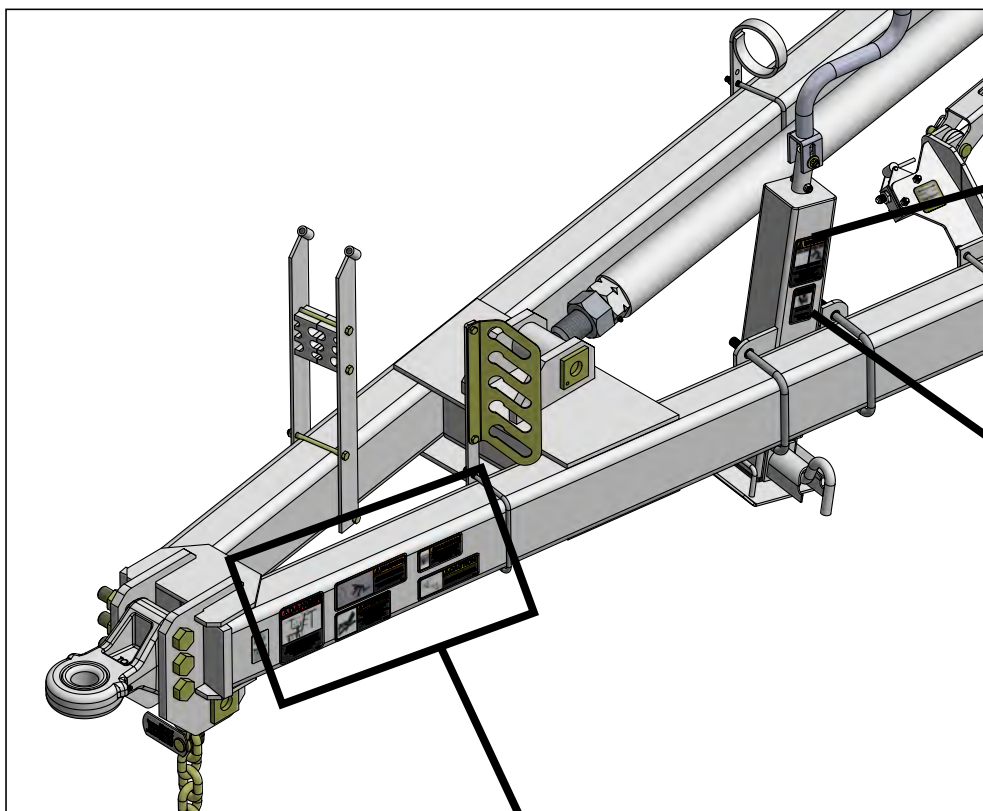


Is used for instruction on operating, adjusting, or servicing a machine.

Safety Decals

⚠ WARNING

- REPLACE LOST, DAMAGED, PAINTED, OR UNREADABLE DECALS IMMEDIATELY. IF PARTS THAT HAVE DECALS ARE REPLACED, ALSO MAKE SURE TO INSTALL NEW DECALS. THESE DECALS INFORM AND REMIND THE OPERATOR WITH OPERATIONAL INFORMATION AND SAFETY MESSAGES.



9501197



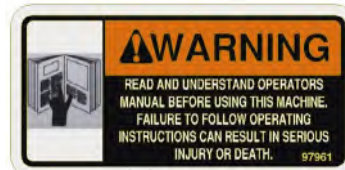
97048



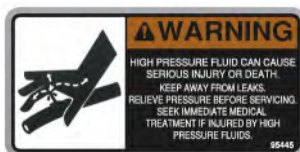
90221



94094



97961



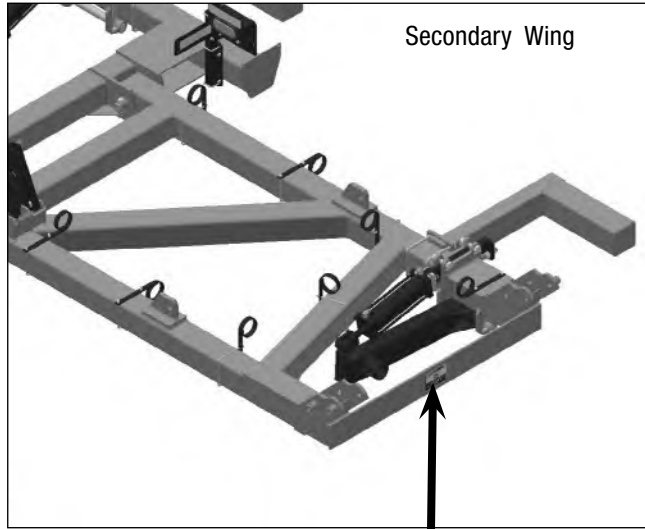
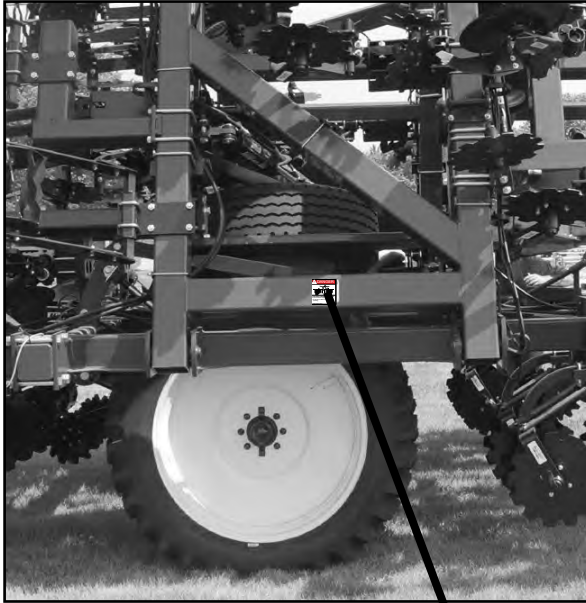
95445



97575

(Continued)

Safety Decals (continued)



97337



9003125 - Fluorescent Strip

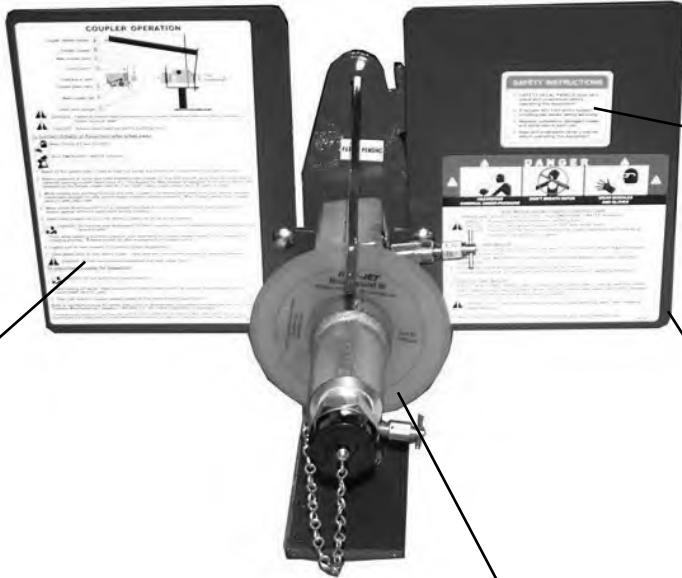


9003126 - Reflector RED



9003127 - Reflector AMBER

Safety Decals (continued)




SAFETY INSTRUCTIONS

1. SAFETY DECAL PANELS must be in place and understood before operating this equipment.
2. Evacuate NH₃ from entire system, including ball valves, before servicing.
3. Replace outdated or damaged hoses and parts before each use.
4. Read and understand owner's manual before operating this equipment.


AP 2227

JAP2227


⚠ **DANGER** ⚠



HAZARDOUS
CHEMICAL UNDER PRESSURE



DON'T BREATHE VAPOR



WEAR GOGGLES
AND GLOVES

TANK WAGON and NH₃ HOOK-UP INSTRUCTIONS

1. Always wear GOGGLES and GLOVES. Have EMERGENCY WATER available.
 - DANGER:** Always bleed feed-line before handling hose.
 - DANGER:** Do not road transport equipment with tank valves open.
 - DANGER:** Failure to follow these instructions may cause hazardous ammonia spray resulting in bodily injury or death.

TO CONNECT TANK WAGON:

2. Hitch wagon to toolbar using your hitch pin and hitch pin retainer. Attach wagon transport chains to toolbar hitch.
3. If Safety Coupler Male Half is not properly inserted, follow adjacent "Coupler Operation" instructions.
4. Screw hose and acme thread connection onto acme receiver.
5. Close all bleed valves and open tank and hose valves just prior to applying ammonia.

TO UNHOOK TANK WAGON:

6. Park on level surface. Refer to step 1. Stand on the upwind side. Close all feed-line valves; then, carefully open feed-line bleed valves. Do not continue until bleed valves have emptied.
7. Carefully unscrew hose end acme thread connection.

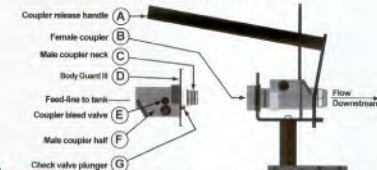
- DANGER:** Do not carry hose by holding valve knob. Hose twist may open valve releasing trapped ammonia.

8. Store hose and secure wisely, avoiding improper hose and valve contact points.

AP 2973

JAP2973

COUPLER OPERATION



⚠ DANGER: Failure to follow these instructions may cause hazardous ammonia spray resulting in bodily injury or death.

⚠ DANGER: Always bleed feed-line before handling hose.

To Connect Initially or Reconnect after break-away:

- Wear GOGGLES and GLOVES.
- Have EMERGENCY WATER available.

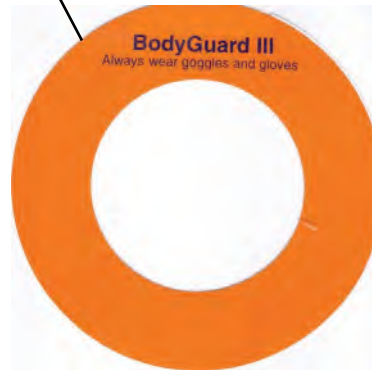
1. Stand on the upwind side. Close all feed-line valves and inspect all components for proper condition.
2. Relieve pressure in nurse tank hose between male coupler (F) and first shutoff valve towards nurse tank by carefully opening coupler bleed valve (E). The Squibb Fire-Max coupler is designed to re-couple safely with pressure on the female coupler half (B). CAUTION: Leave coupler bleed valve (E) open for now.
3. While holding and pointing the hose and male coupler (F) downwind and away from your person, depress check valve plunger (G) with gloved finger to ensure proper operation. Wipe foreign debris from coupler neck (C) with clean cloth.
4. Make certain BodyGuard III™ (D) is installed fully with slot oriented around check valve plunger (G) to protect against ammonia spray-back during coupling.
5. Insert male coupler neck (C) into female coupler half (B) as far as possible.
 - DANGER:** Do not look past BodyGuard (D) when coupling to avoid possible ammonia spray-back into face and eyes.
 Then, while applying insertion pressure, pull downward on coupler release handle (A) to complete the coupling process. Release handle (A) after engagement of coupler neck (C).
6. Lightly pull on male coupler (F) to ensure proper engagement.
7. Close bleed valve (E) and others if open. Open tank and hose valves just prior to applying ammonia.
 - DANGER:** Do not road transport equipment with tank valves open.

To Disconnect coupler for inspection:

- DANGER:** Do not disconnect under pressure.

1. After closing all valves, bleed pressure from male coupler half (F) by opening coupler bleed valve (E). Leave bleed valve (E) open.
2. Then, pull down on coupler release handle (A) and remove male coupler half (F).

JAP2974



9503899 - 1 1/4" Connection
9503900 - 1 1/2" Connection

Following Safety Instructions

- Read and understand this operator's manual before operating.



- All machinery should be operated only by trained and authorized personnel.

- To prevent machine damage, use only attachments and service parts approved by the manufacturer.

- Always shut tractor engine off and remove key before servicing.



- Avoid personal attire such as loose fitting clothing, shoestrings, drawstrings, pants cuffs, long hair, etc., that may become entangled in moving parts.

- Do not allow anyone to ride on the implement. Make sure everyone is clear before operating machine or towing vehicle.



- Never attempt to operate implement unless you are in driver's seat.



Before Servicing

- Avoid working under an implement; however, if it becomes absolutely unavoidable, make sure the implement is safely blocked.



- Ensure that all applicable safety decals are installed and legible.

- When working around the implement, be careful not to be cut by sharp edges.

- Explosive separation of a tire and rim can cause serious injury or death. Only properly trained personnel should attempt to service a tire and wheel assembly.

- Add sufficient ballast to tractor to maintain steering and braking control at all times. Do not exceed tractor's lift capacity or ballast capacity.

- Hitch applicator to towing vehicle and clear all personnel from the surrounding area before folding and unfolding wings.

- Check all applicator equipment for leaks. Repair any leaks before beginning or resuming operation.

- Residual pressure may exist in applicator plumbing even when unit is not in use. Remove pressure before servicing any plumbing.

Before Operating

- Do not stand between towing vehicle and implement during hitching.
- Always make certain everyone and everything is clear of the machine before beginning operation.
- Verify that all safety shields are in place and properly secured.
- Ensure that all applicable safety decals are installed and legible.
- When working around the implement, be careful not to be cut by sharp edges.
- Add sufficient ballast to tractor to maintain steering and braking control at all times. Do not exceed tractor's lift capacity or ballast capacity.
- This applicator is intended to apply only agricultural fertilizers. Attempting to apply other liquids may cause equipment damage and introduce unexpected personal hazards.
- Hitch applicator to towing vehicle and clear all personnel from the surrounding area before folding and unfolding wings.
- Residual pressure may exist in applicator plumbing even when unit is not in use. Remove pressure before servicing any plumbing.

During Operation

- Regulate speed to field conditions. Maintain complete control at all times.
- Never service or lubricate equipment when in operation.
- Keep away from overhead power lines. Electrical shock can cause serious injury or death.
- Use extreme care when operating close to ditches, fences, or on hillsides.
- Do not leave towing vehicle unattended with engine running.


Before Transporting

- Secure transport chains to towing vehicle before transporting. **DO NOT** transport without chains.
- Install transport locks before transporting.
- Check for proper function of all available transport lights. Make sure that all reflectors are clean and in place on machine. Make sure that the SMV emblem and SIS decal are visible to approaching traffic.
- This implement may not be equipped with brakes. Ensure that the towing vehicle has adequate weight and braking capacity to tow this unit.

During Transport

- Comply with all laws governing highway safety when moving machinery.
- Use transport lights as required by all laws to adequately warn operators of other vehicles.
- Use good judgment when transporting equipment on highways. Regulate speed to road conditions and maintain complete control.
- Maximum speed of implement should never exceed 20 mph. Do not exceed 10 mph during off-highway travel.
- Slow down before making sharp turns to avoid tipping. Drive slowly over rough ground and side slopes.
- It is probable that this implement is taller, wider and longer than the towing vehicle. Become aware of and avoid all obstacles and hazards in the travel path of the equipment, such as power lines, ditches, etc.

Pressurized Oil

- Relieve pressure before disconnecting hydraulic lines, loosening any hydraulic fittings or servicing hydraulic system. See the MAINTENANCE section of this manual for the procedure to relieve pressure.
- High-pressure fluids can penetrate the skin and cause serious injury or death. Use cardboard or wood to detect leaks in the hydraulic system. Seek medical treatment immediately if injured by high-pressure fluids. 
- Hydraulic system must be purged of air before operating to prevent serious injury or death.
- Do not bend or strike high-pressure lines. Do not install bent or damaged tubes or hoses.
- Repair all oil leaks. Leaks can cause fires, personal injury, and environmental damage.
- Route hoses and lines carefully to prevent premature failure due to kinking and rubbing against other parts. Make sure that all clamps, guards and shields are installed correctly.
- Check hydraulic hoses and tubes carefully. Replace components as necessary if any of the following conditions are found:
 - o End fittings damaged, displaced, or leaking.
 - o Outer covering chafed/cut or wire reinforcing exposed.
 - o Outer covering ballooning locally.
 - o Evidence of kinking or crushing of the flexible part of a hose.




Chemical Hazards

- Always wear personal protective equipment when working with or near chemicals. This equipment includes, but is not limited to: protective eye wear, gloves, shoes, socks, long-sleeved shirt, and long pants. Additional protection may be required for many types of chemicals.
- Seek and receive chemical product training prior to using agricultural chemicals.
- Read and understand the entire label of every chemical being applied with this sprayer.
- Avoid breathing applicator mist or vapor.
- Wash hands and exposed skin immediately after contact with spray/fertilizer solution and application equipment.
- Remove clothing immediately if chemicals penetrate clothing and contact skin. Wash thoroughly and put on clean clothing.
- Dispose of unused chemical in accordance with chemical label directions and local/national regulations.





Anhydrous Ammonia (NH₃)

- Exposure to anhydrous ammonia (NH₃) will cause serious injury or death. Anhydrous ammonia causes severe burns to the eyes, skin, and respiratory system. Immediately flush exposed areas with fresh water and seek medical treatment.
- It is important that all personnel understand the properties of anhydrous ammonia, and that they be thoroughly trained in safe practices for its storage, transferring, transporting, and otherwise handling. Train all personnel in safe operating practices and take appropriate actions in the event of a leak or an emergency. Consult proper authorities for anhydrous ammonia training and documentation.
- Pressure gauges can fail or plug. Do not rely on gauge readings to indicate presence of anhydrous ammonia in a system. Treat all plumbing sections as if anhydrous ammonia is present. See [operating/maintenance] section for proper bleeding procedures.
- Liquid anhydrous ammonia trapped in the plumbing can absorb heat from surroundings and unexpectedly pressurize the system.
- Never unhitch the anhydrous ammonia applicator from the tractor with a nurse tank attached.
- Always park upwind from the operating station, other personnel, livestock, and nearby buildings before attempting to connect or disconnect tank hosing. Remain upwind when depressurizing the system.
- Inspect all anhydrous ammonia valves, couplers, hoses, and other plumbing equipment prior to usage or storage. Repair or replace any component showing wear, damage, or as required per date stamp and manufacturer's instructions.
- When coupling a nurse tank and supply hose to the applicator for the first time, perform a test turn in both directions with the tank valve closed to verify sufficient slack in the hose allows free articulation. Do not allow hose to contact the wagon tongue or any other component during movement.
- In the event of a breakaway coupling device disconnection, inspect the breakaway device and all supporting structures and plumbing before resetting the coupler. Understand why the disconnection occurred and take action to limit reoccurrence.
- Immediately evacuate the area in the event of an anhydrous ammonia leak or accidental release. Prevent others from entering the area of the anhydrous ammonia leak.
- Ensure a readily accessible clean water tank with a minimum of 5 gallons of fresh water are available for first aid use.
- Always wear personnel protective equipment (PPE) when working with or near anhydrous ammonia. This equipment includes, but is not limited to:
 - Protective gauntlet style gloves impervious to anhydrous ammonia
 - Indirect vent chemical splash goggle
 - Shoes and socks
 - Long sleeved shirt
 - Long pants
 - A full-face shield is appropriate, but does not replace the need for the chemical splash goggles.
- Only open a nurse tank valve during application. Do not transport, park, or leave the applicator unattended with the valve open.

Preparing for Emergencies

- Keep a first aid kit and properly rated fire extinguisher nearby.  
- Keep emergency numbers for fire, rescue, and poison control personnel near the phone. 
- A clean water tank is provided as standard equipment. It is equipped with a spigot for general washing and a hose for emergency eye washing.
- Always keep clean water in tank. Water in clean water tank is not suitable for human consumption.
- For emergency eyewash, pull hose off of top fitting and flush affected area.

Wearing Protective Equipment

- Wear clothing and personal protective equipment appropriate for the job.  
- Wear steel-toed shoes when operating. 
- Wear hearing protection when exposed to loud noises. 
- Do not wear additional hearing impairing devices such as radio headphones, etc.



Notes

SECTION II

Set Up

Set Up	2-2
Tongue Assembly to Main Frame Assembly	2-3
Attaching Hydraulic Hoses.....	2-5
Nurse Tank Hitch Assembly.....	2-6
SuperShooter Assembly	2-7
Transport Lighting Assembly.....	2-12
SMV Assembly	2-16
Clean Water Tank Location and Assembly.....	2-17
Mounting Offset Stagger & Double Extension Brackets	2-18
Sealer II Assembly (JAAM2857) - Optional Sealer II Spring Add-On Kit.....	2-19
Torsion Arm Assembly	2-20
Attaching Bearings and Basket to Mounting Arms	2-20
Position Basket on Torsion Spring Assembly.....	2-20
Center Basket.....	2-21
Attaching Torsion Arm Assembly to MaxPac Basket Mount Arm.....	2-21
Attaching Torsion Arm Assembly to 6"x6" Tube (JAAM2630).....	2-22
Attaching Torsion Arm Assembly to 4"x6" Tube (JAAM2722).....	2-23
MaxPac AR700 Assembly	2-24
Residue Manager Assembly.....	2-25
DiscCover Sealer Assembly	2-25
Setting The Implement For Field Operation.....	2-26
AT6020 Toolbars	2-28
Overhead Layouts	2-29

Set Up

WARNING

- **READ AND UNDERSTAND SAFETY RULES BEFORE OPERATING OR SERVICING THIS MACHINE. REVIEW THE SAFETY SECTION IN THIS MANUAL IF NECESSARY.**

- **TIPPING OR MOVEMENT OF THE MACHINE CAN CAUSE SERIOUS INJURY OR DEATH. BE SURE THE MACHINE IS SECURELY BLOCKED.**

- **KEEP HANDS CLEAR OF PINCH POINT AREAS.**

- **FALLING OBJECTS CAN CAUSE SERIOUS INJURY OR DEATH. DO NOT WORK UNDER THE MACHINE AT ANY TIME WHILE BEING HOISTED. BE SURE ALL LIFTING DEVICES AND SUPPORTS ARE RATED FOR THE LOADS BEING HOISTED. THESE ASSEMBLY INSTRUCTIONS WILL REQUIRE SAFE LIFTING DEVICES UP TO 7,000 LBS. SPECIFIC LOAD RATINGS FOR INDIVIDUAL LOADS WILL BE GIVEN AT THE APPROPRIATE TIME IN THE INSTRUCTIONS.**

- **EYE PROTECTION AND OTHER APPROPRIATE PERSONAL PROTECTIVE EQUIPMENT MUST BE WORN WHILE SERVICING THE IMPLEMENT.**

For your safety, and the safety of others, use proper tools and equipment and always use safe working procedures. Refer to these instructions before starting any work on the machine.

For ease of assembly, install all hardware loosely until assembly is complete and then tighten according to Torque Chart in the MAINTENANCE section of this manual.

Tongue Assembly to Main Frame Assembly

1. Using a safe lifting device rated for at least 2,000 lbs., secure tongue assembly to main frame with 2" Dia. x 10 1/4" pins (JBM3565), 5/8"-11UNC x 4" capscrews (9390-132), and 5/8"-11UNC elastic lock nuts (9398-019). (FIG. 2-1)

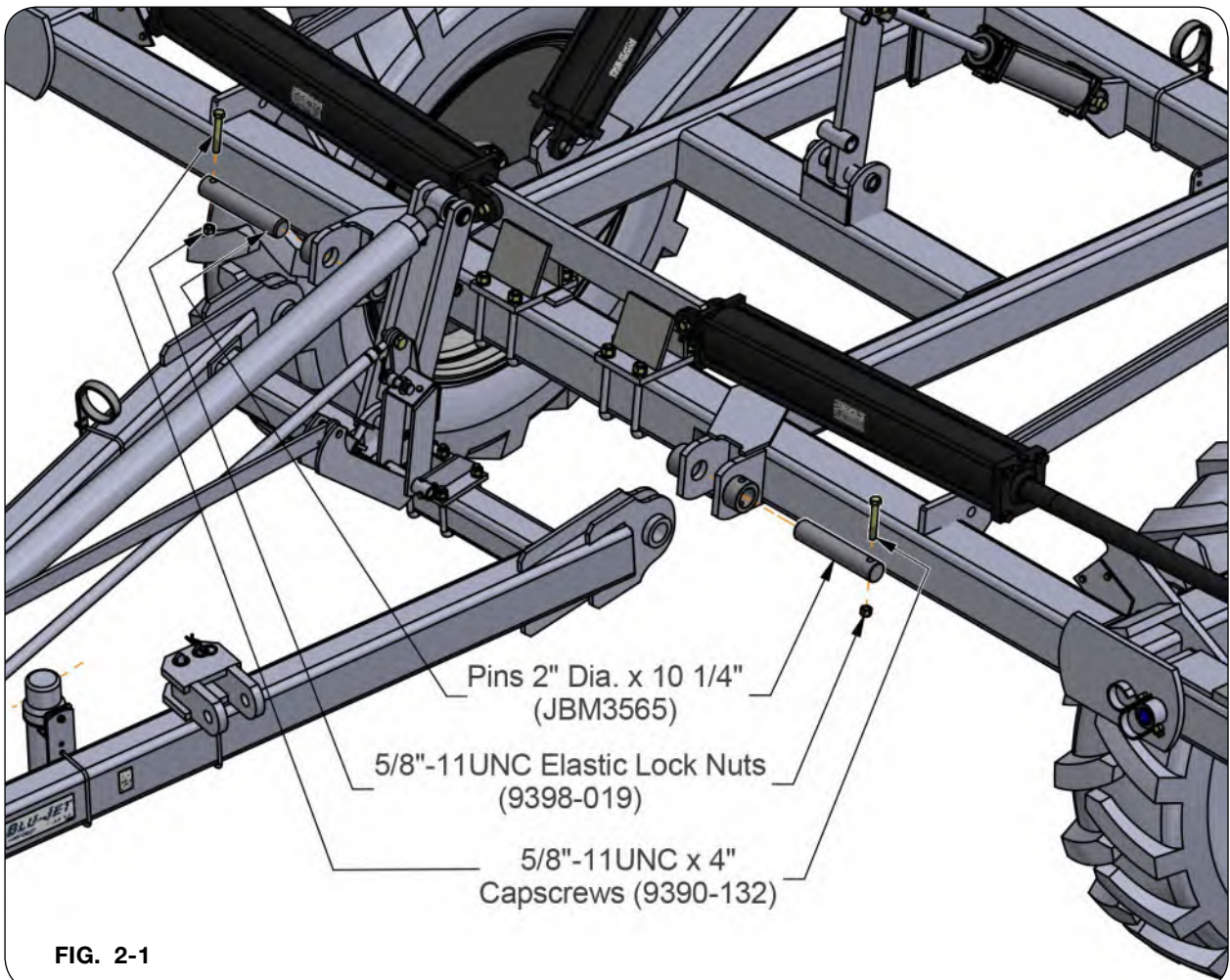
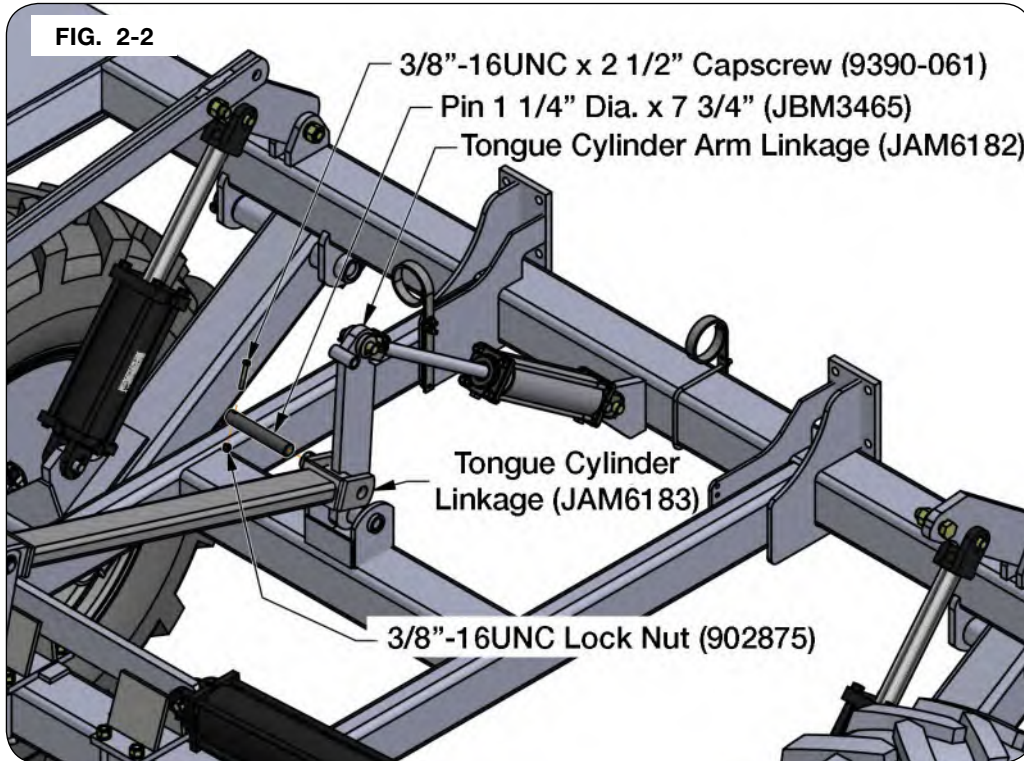


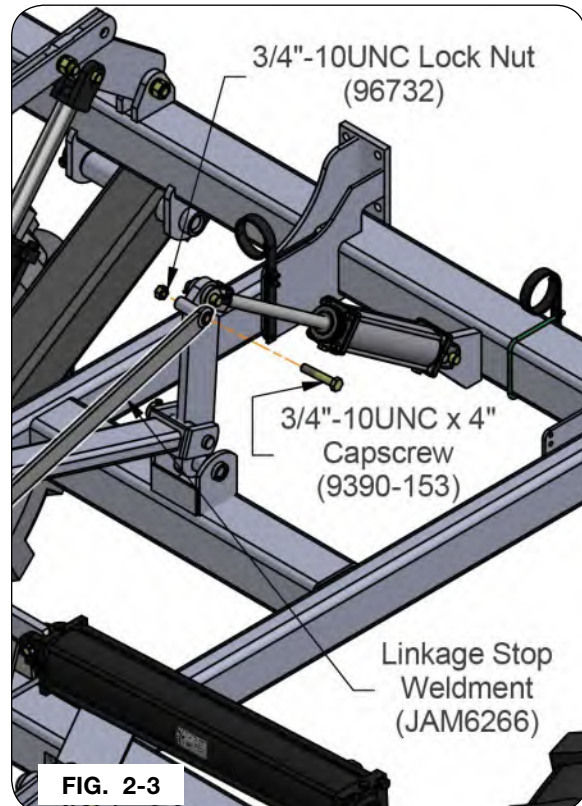
FIG. 2-1

Tongue Assembly to Main Frame Assembly (continued)

2. Rotate tongue cylinder linkage (JAM6183) to the tongue cylinder arm linkage (JAM6182). Secure with 1 1/4" Dia. x 7 3/4" pin (JBM3465), 3/8"-16UNC x 2 1/2" capscrew (9390-061) and 3/8"-16UNC lock nut (902875) (FIG. 2-2).

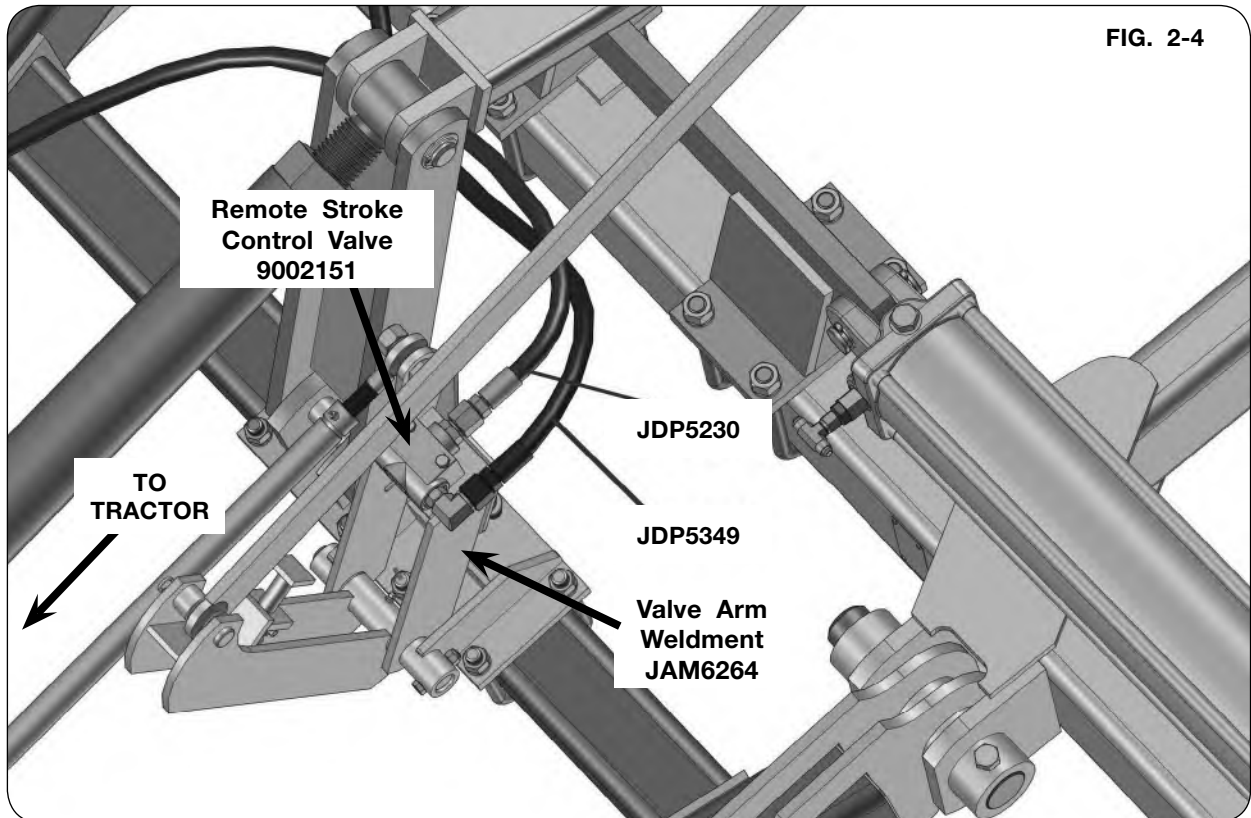


3. Rotate linkage stop weldment (JAM6266) to the tongue cylinder arm linkage (JAM6182). Secure with 3/4"-10UNC x 4" capscrew (9390-153) and 3/4"-10UNC lock nut (96732) (FIG. 2-3).

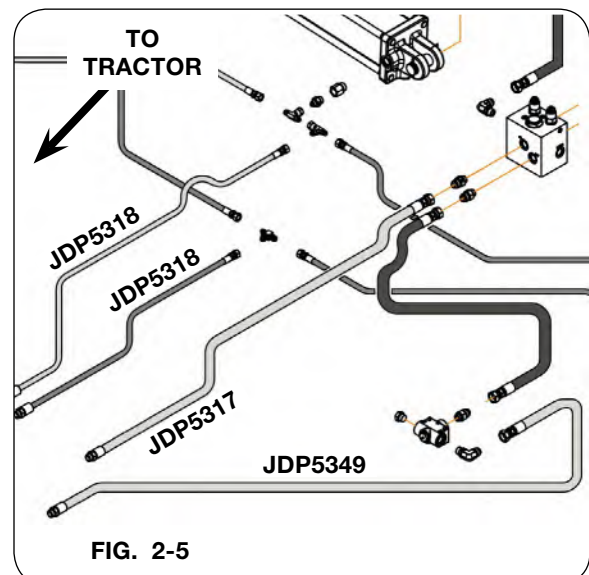


Attaching Hydraulics

1. Attach remote stroke control valve (9002151) to the valve arm weldment (JAM6264) with two 5/16"-18UNC x 2 1/2" capscrews (9390-036), 5/16" lock washers (9404-019), and 5/16"-18UNC hex nuts (9394-004). (FIG. 2-4)

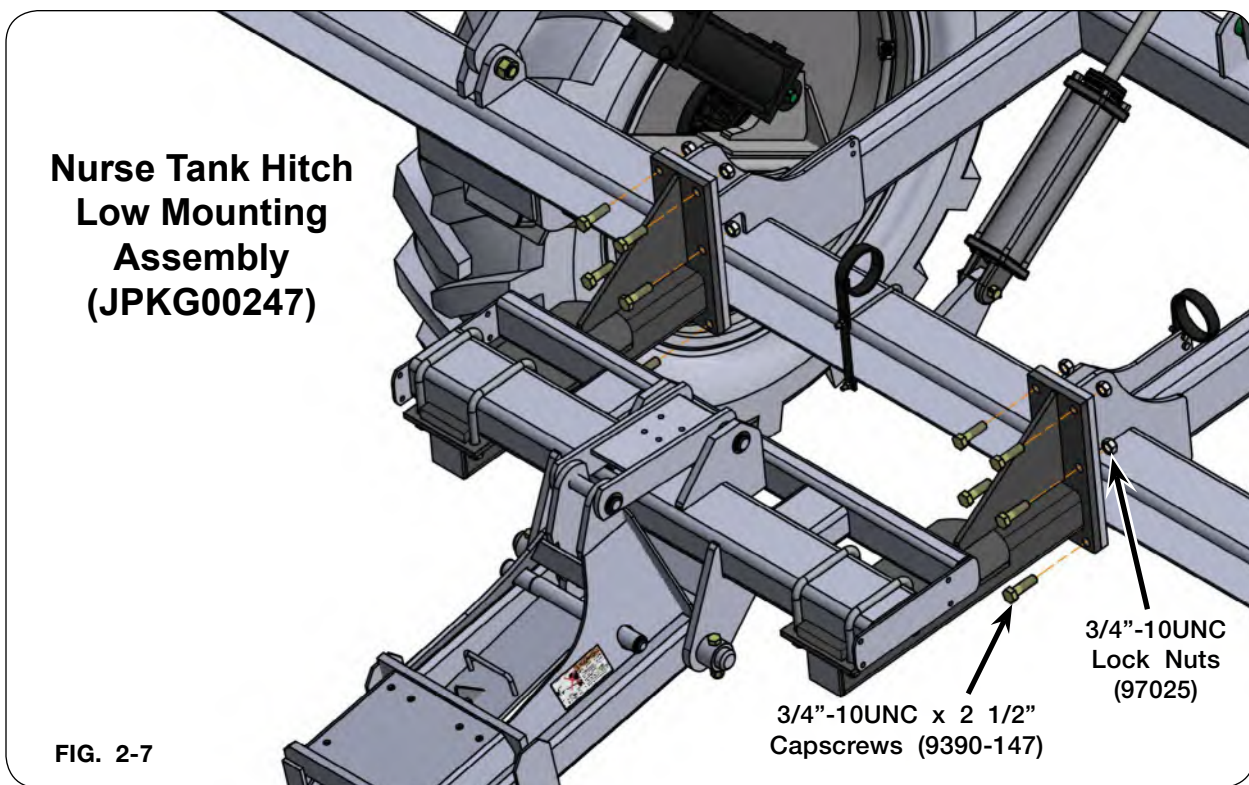
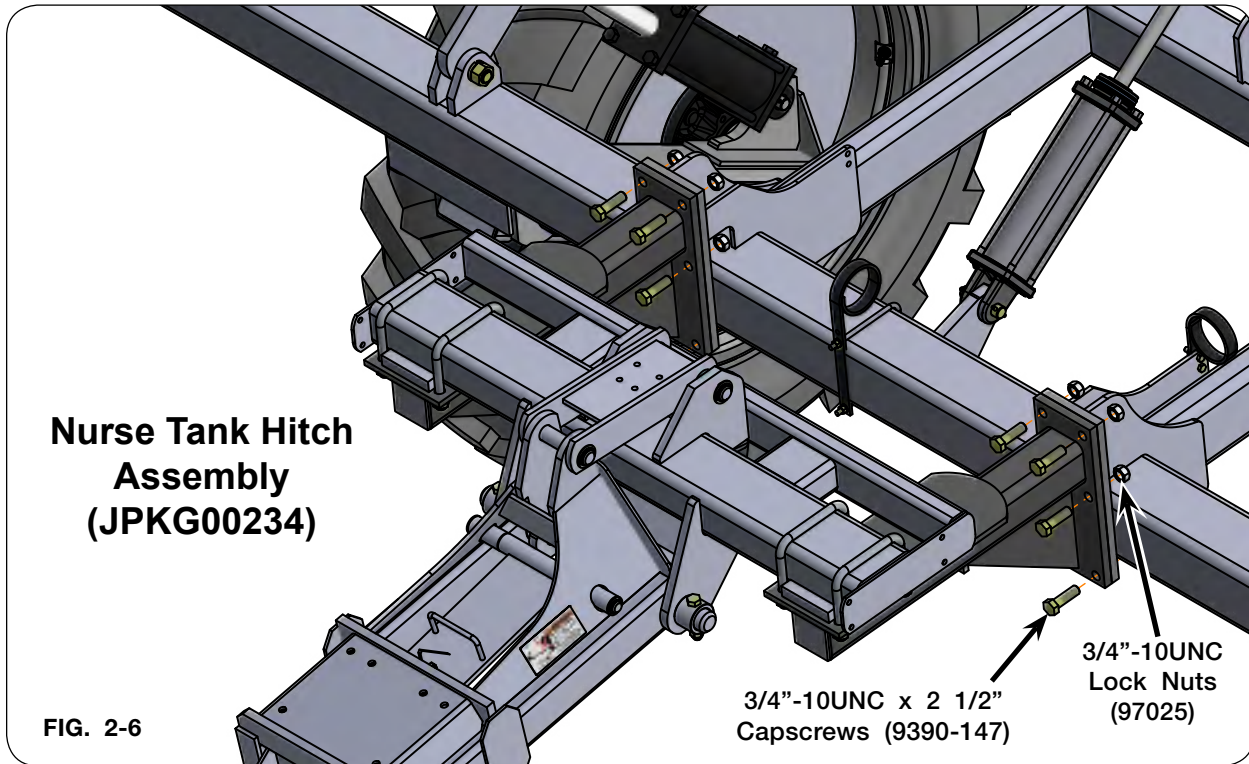


2. Route the 1/2" x 264" hose (JDP5349) from the remote stroke control valve (9002151) to the tractor. (FIG. 2-5)
3. Route the 3/8" x 240" hoses (JDP5318) to the tractor. (FIG. 2-5)
4. Route the 1/2" x 240" hose (JDP5317) from the valve assembly to the tractor. (FIG. 2-5)



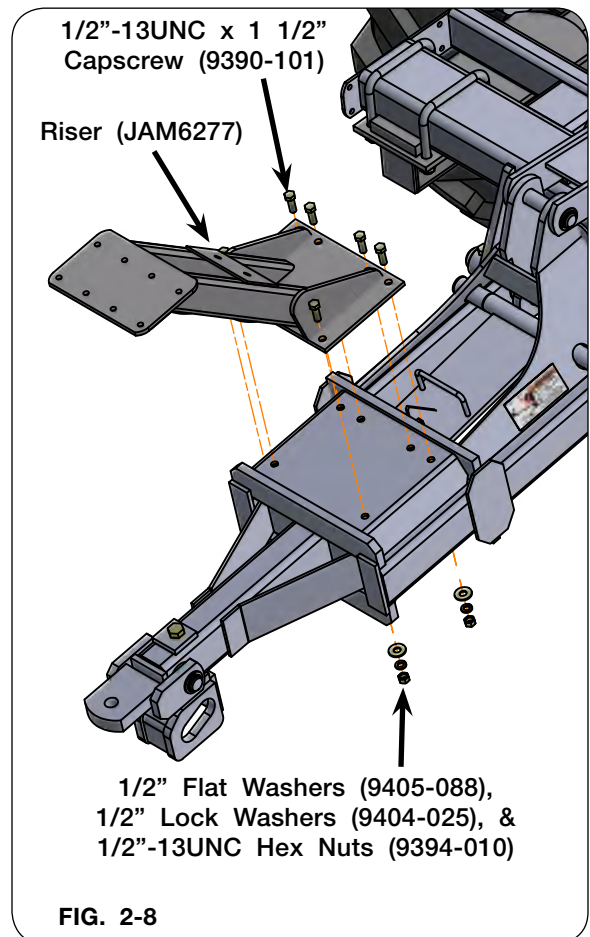
Nurse Tank Hitch Assembly

1. Using a safe lifting device rated at a minimum of 1000 lbs., attach the nurse tank hitch assembly to the main frame with twelve 3/4"-10UNC x 2 1/2" capscrews (9390-147) and 3/4"-10UNC lock nuts (97025). (FIG. 2-6 or FIG. 2-7)



SuperShooter Assembly

1. Using a safe lifting device rated at a minimum of 50 lbs., secure the riser (JAM6277) to the nurse tank hitch assembly with 1/2"-13UNC x 1 1/2" capscrews (9390-101), 1/2" flat washers (9405-088), 1/2" lock washers (9404-025), and 1/2"-13UNC hex nuts (9394-010). (FIG. 2-8)

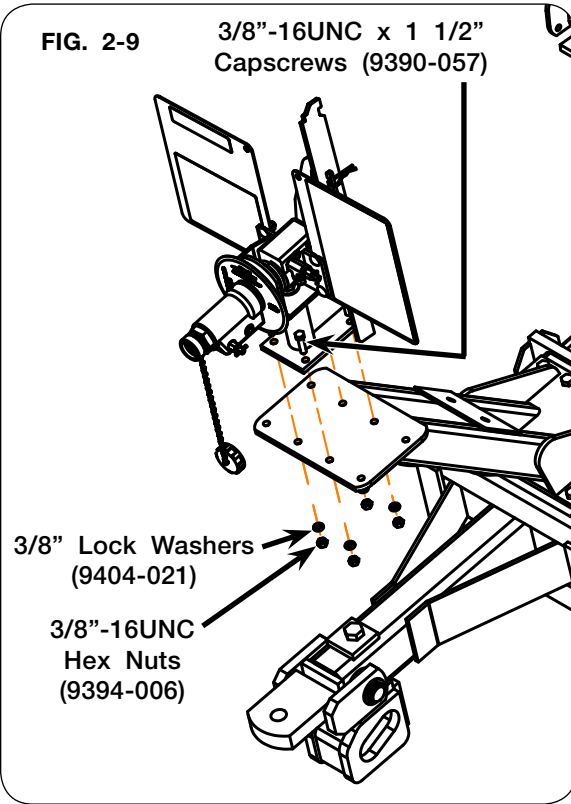


SuperShooter Assembly (continued)

2. SINGLE SUPERSHOOTER ASSEMBLY

Using a safe lifting device rated at a minimum of 50 lbs., loosely mount the SuperShooter to the top of the riser (JAM6277) with 3/8"-16UNC x 1 1/2" capscrews (9390-057), 3/8" lock washers (9404-021), and 3/8"-16UNC hex nuts (9394-006). (FIG. 2-9)

NOTE: Only use the center rows of holes to mount a single SuperShooter assembly.



SuperShooter Assembly (continued)

2. (continued)

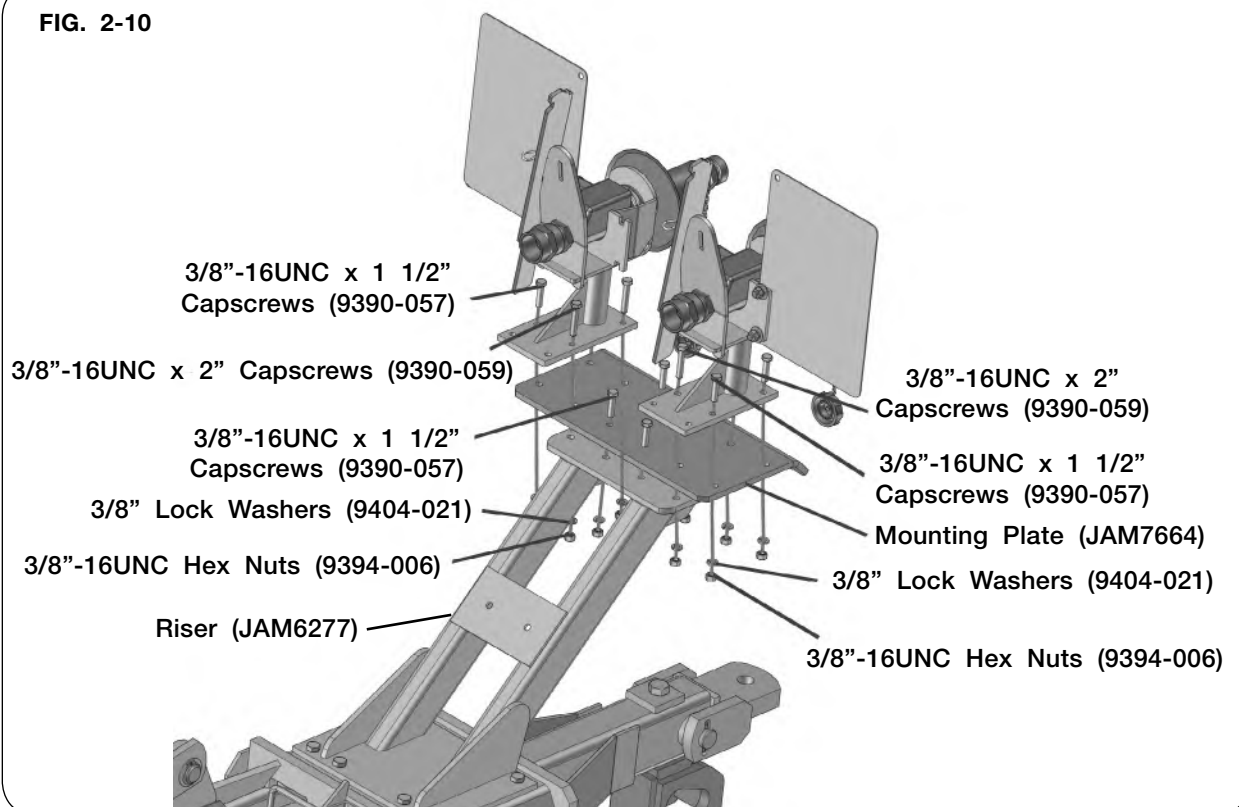
DOUBLE SUPERSHOOTER ASSEMBLY

Position mounting plate (JAM7664) on top of riser (JAM6277). Loosely secure using 3/8"-16UNC x 1 1/2" capscrews (9390-057), 3/8" lock washers (9404-021), and 3/8"-16UNC hex nuts (9394-006). (FIG. 2-10)

Using a safe lifting device rated at a minimum of 50 lbs., loosely mount each SuperShooter to the top of the mounting plate (JAM7664). Secure the inside of the SuperShooter stand using 3/8"-16UNC x 2" capscrews (9390-059), 3/8" lock washers (9404-021), and 3/8"-16UNC hex nuts (9394-006). (FIG. 2-10)

Loosely secure the outside of the SuperShooter stand using 3/8"-16UNC x 1 1/2" capscrews (9390-057), 3/8" lock washers (9404-021), and 3/8"-16UNC hex nuts (9394-006). (FIG. 2-10)

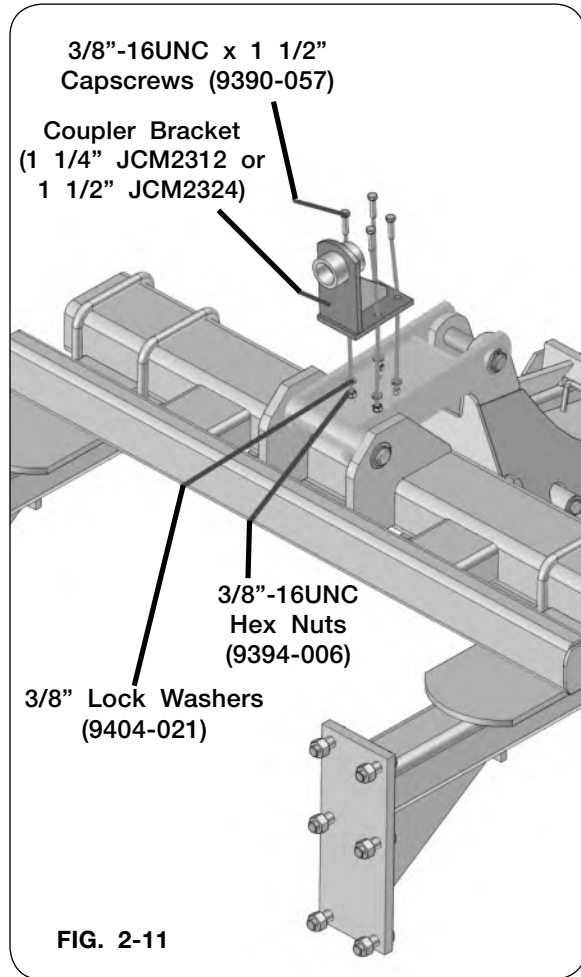
FIG. 2-10



3. Tighten hardware according to Torque Chart in MAINTENANCE section.

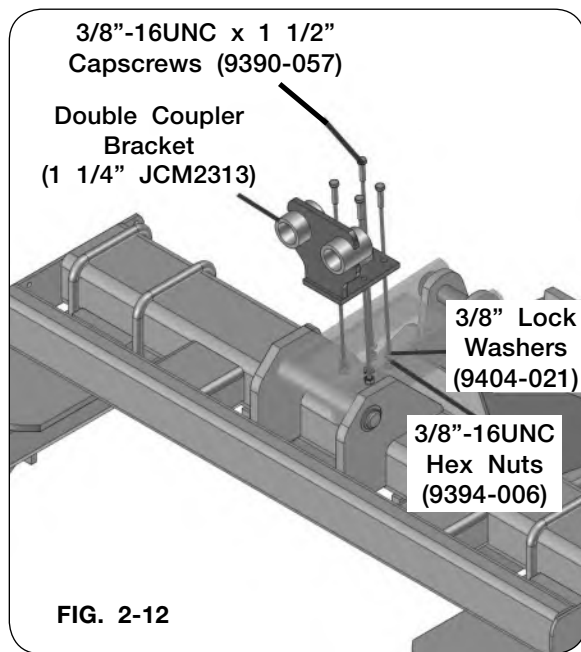
SuperShooter Assembly (continued)

4. **SINGLE COUPLER BRACKET ASSEMBLY**
 Attach the coupler bracket (1 1/4" Coupler JCM2312 or 1 1/2" Coupler JCM2324) to nurse tank hitch linkage (JAM6278) with four 3/8"-16UNC x 1 1/2" capscrews (9390-057), 3/8" lock washers (9404-021), and 3/8"-16UNC hex nuts (9394-006). (FIG. 2-11)



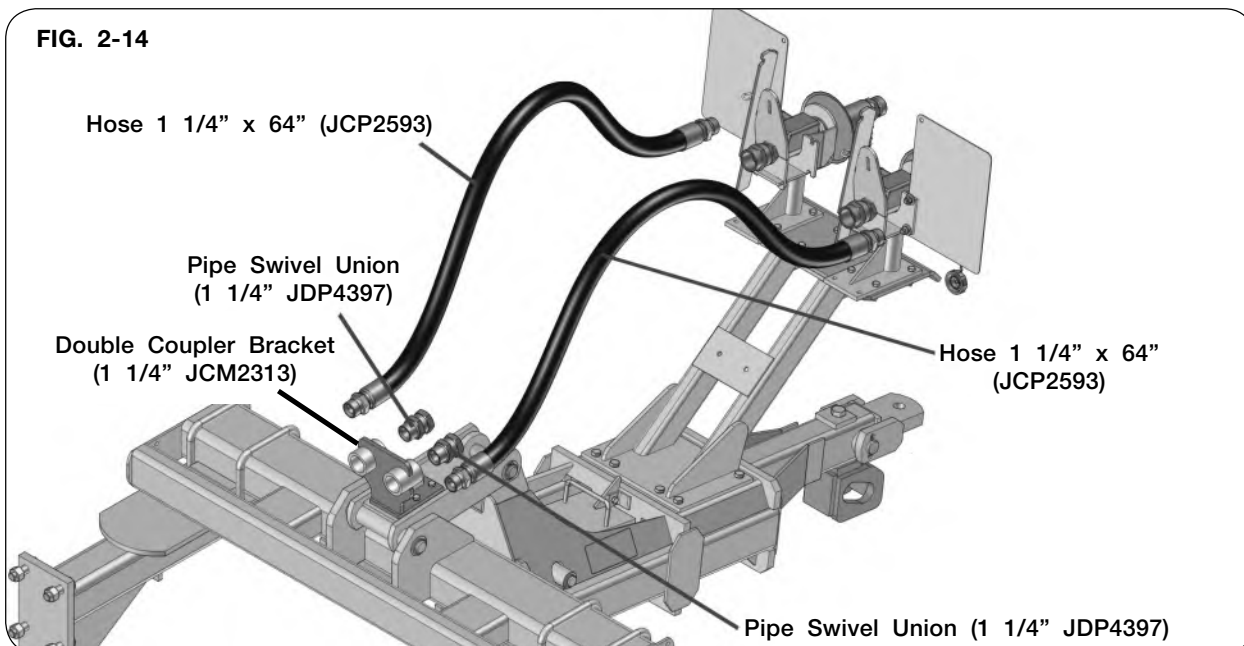
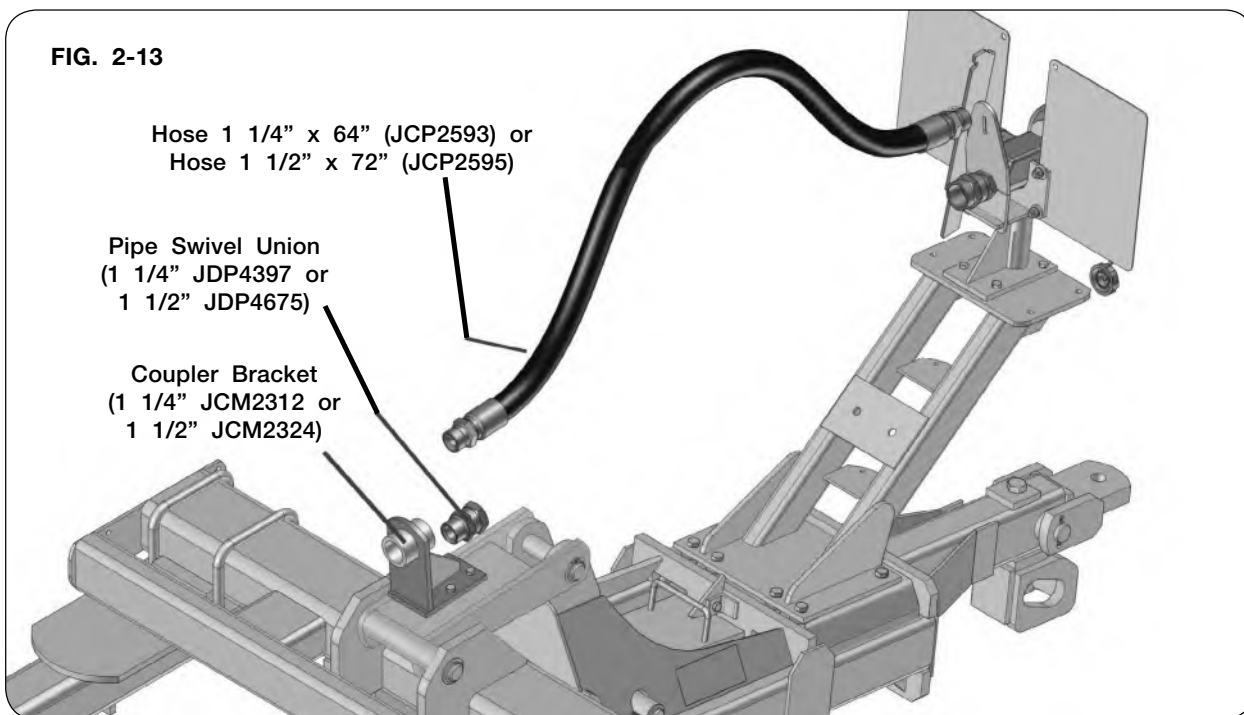
- DOUBLE COUPLER BRACKET ASSEMBLY**
 Attach the coupler bracket (1 1/4" Coupler JCM2313 or 1 1/2" Coupler JCM2325 and JCM2324) to nurse tank hitch linkage (JAM6278) with four 3/8"-16UNC x 1 1/2" capscrews (9390-057), 3/8" lock washers (9404-021), and 3/8"-16UNC hex nuts (9394-006). (FIG. 2-12)

NOTE: Tighten hardware according to Torque Chart in MAINTENANCE section.



SuperShooter Assembly (continued)

5. Apply NH3 compatible pipe thread compound and install 1 1/4" MP x 1 1/4" FP pipe swivel unions (JDP4397), in coupler bracket. (FIG. 2-13 & FIG. 2-14)
6. Apply NH3 compatible pipe thread compound and install NH3 hose(s) in SuperShooter(s).
7. Lubricate threads with light oil and attach NH3 hose to pipe swivel. Tighten by rotating swivel nut 1/4 turn past the start of wrench resistance. Joint does not require thread sealant. (FIG. 2-13 & FIG. 2-14)



8. After installation of all the NH3 plumbing components, the entire NH3 system needs to be tested and proven to be free from leaks before being put into service.

Transport Lighting Assembly

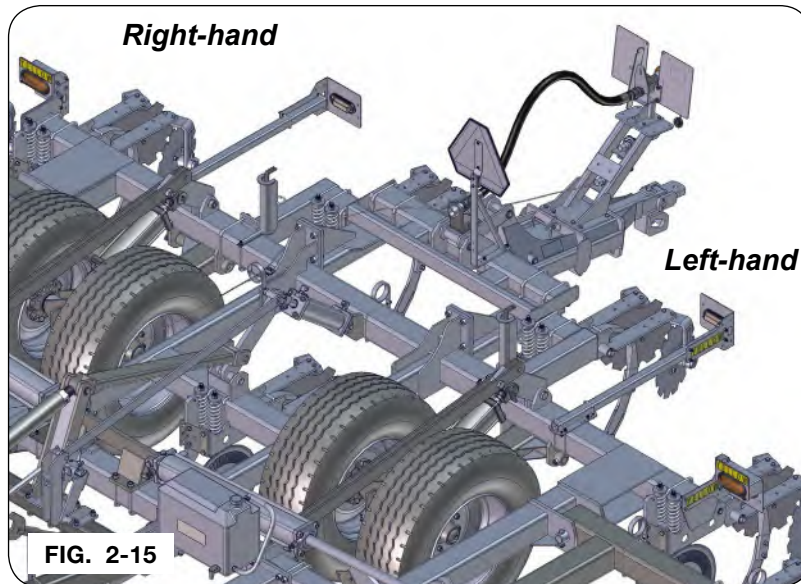
Compliance with all lighting and marking laws is the responsibility of the operator at the time of travel.

See federal regulation 49 CFR 562; available at www.govinfo.gov for US federal law requirements.

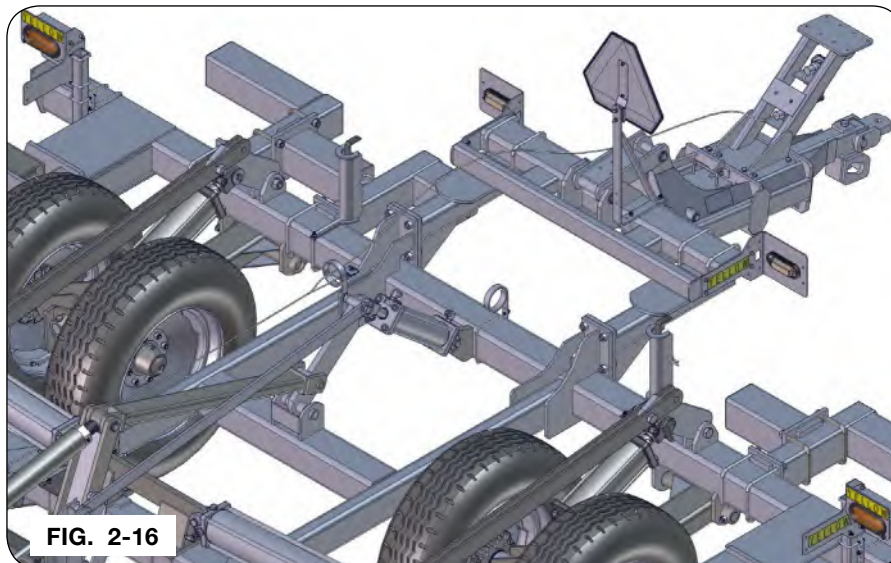
See your Unverferth dealer for additional brackets, reflectors, or lights to meet your requirements.

NOTE: Consult row spacing layout for light kit placement.

Nurse tank hitch light kit placement for AT6020 with 30" spacing. (FIG. 2-15)



Nurse tank hitch light kit placement for AT6020 with 20" spacing. (FIG. 2-16)



Transport Lighting Assembly (continued)

Lighting for 30" Spacing

1. Attach the light post mounting plate (JAM3408) with 3/8"-16UNC x 7" x 6 7/16" U-bolts (JBP3351) and 3/8"-16UNC elastic lock nut (9398-012). (FIG. 2-17)
2. Place light bracket tube (JAM3416) on light post mounting plate (JAM3408). Secure tube with 3/8"-16UNC x 2" x 3" U-bolts (JBP3736) and 3/8"-16UNC elastic lock nut (9398-012). (FIG. 2-17)

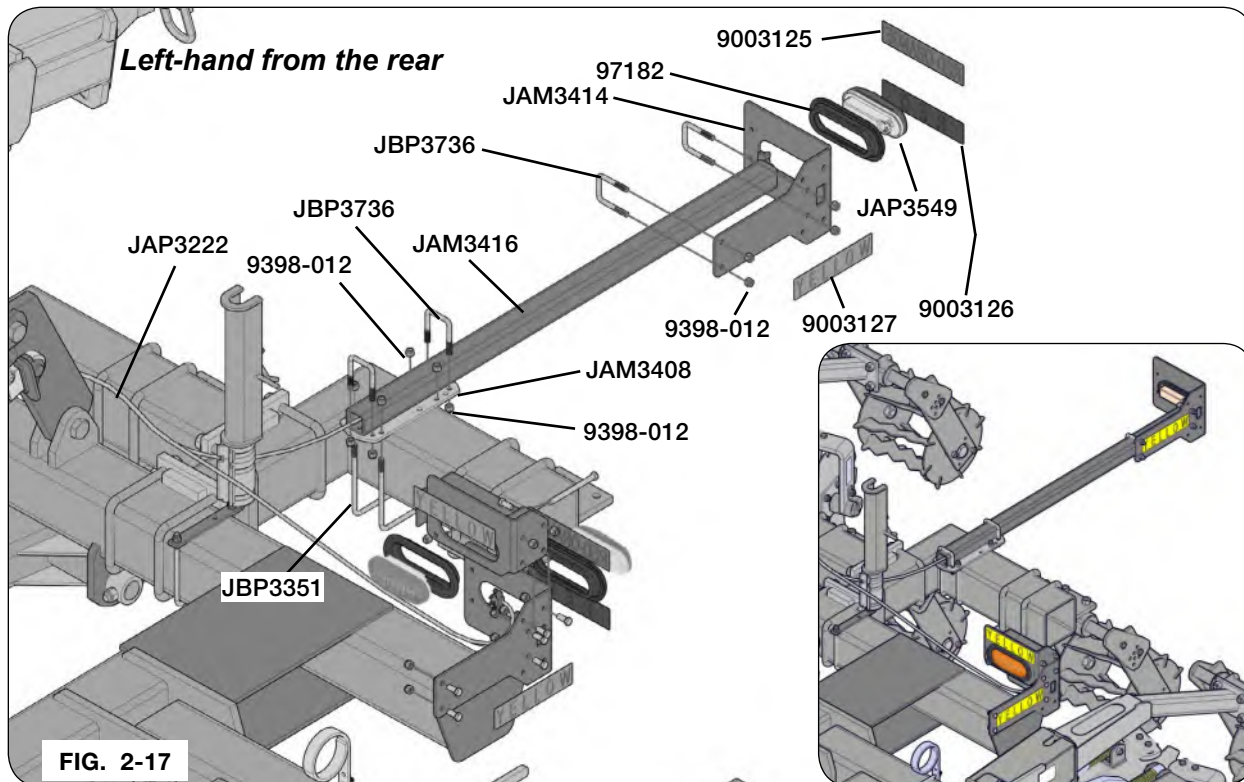


FIG. 2-17

3. Insert rear electrical wiring harness (JAP3222) into light bracket tube (JAM3416).
4. Install oval grommet (97182) into rear light bracket (JAM3414). Insert red oval tail light (JAP3549). Attach rear electrical wiring harness (JAP3222) to red oval tail light (JAP3549). (FIG. 2-17 & FIG. 2-18)
5. Attach rear light bracket (JAM3414) with 3/8"-16UNC x 2" x 3" U-bolts (JBP3736) and 3/8"-16UNC elastic lock nut (9398-012). (FIG. 2-17)
6. Install yellow/amber reflector (9003127) to outside of rear light bracket (JAM3414). (FIG. 2-17)
7. Place orange decal (9003125) above red oval tail light (JAP3549) and red reflector (9003126) below. (FIG. 2-17)

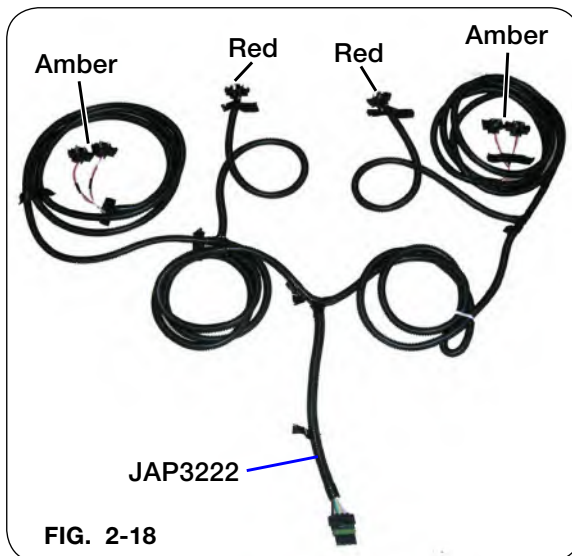


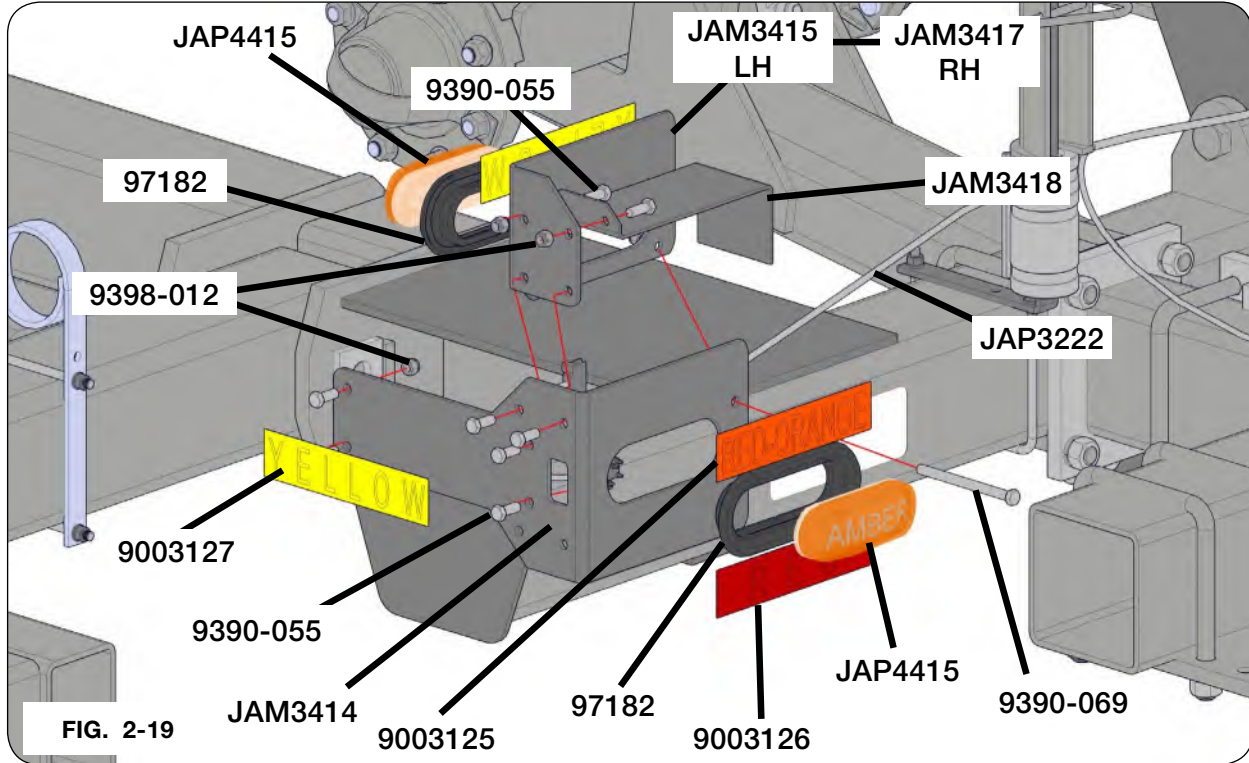
FIG. 2-18

Transport Lighting Assembly (continued)

Lighting for 30" Spacing

1. Mount rear light bracket (JAM3414) to frame side plate with 3/8"-16UNC x 1" capscrews (9390-055) and 3/8"-16UNC elastic lock nut (9398-012). (FIG. 2-19)

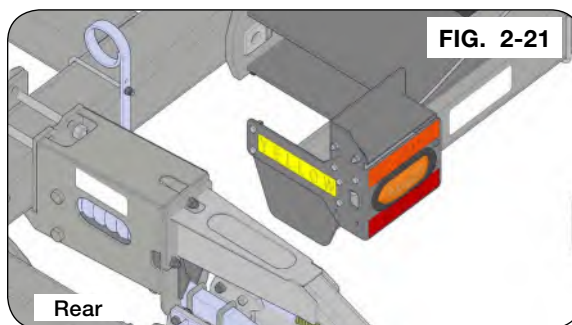
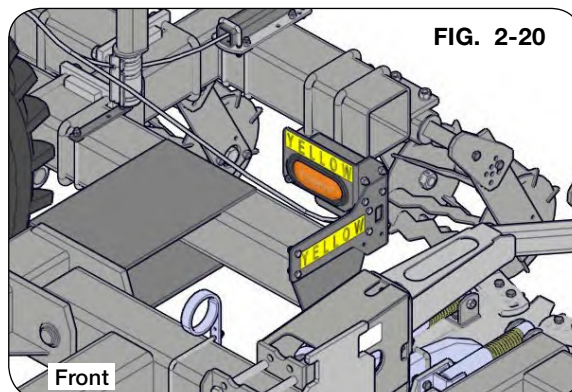
NOTE: Orientation of JAM3414 shown in FIG. 2-19 is for 30" even row spacing. For 30" odd row spacing, JAM3414 is flipped over so that the lights are to the outside of the frame.



2. Insert oval grommet (97182) into rear light brackets (JAM3414). Install amber oval LED lamp (JAP4415) into oval grommet (97182).

Transport Lighting Assembly (continued)

3. Attach rear electrical wiring harness (JAP3222) connector to amber oval LED lamp (JAP4415). (FIG. 2-19 & FIG. 2-21)
4. Insert oval grommets (97182) into front, left-hand light bracket (JAM3415) and front, right-hand light bracket (JAM3417). Install amber oval LED lamps (JAP4415) into oval grommets (97182). (FIG. 2-19 & FIG. 2-20)
5. Attach rear electrical wiring harness (JAP3222) connector to amber oval LED lamp (JAP4415). (FIG. 2-19)
6. Attach front, left-hand light bracket (JAM3415) and front, right-hand light bracket (JAM3417) assemblies to rear light brackets (JAM3414) on both sides with 3/8"-16UNC x 1" capscrews (9390-055) and 3/8"-16UNC elastic lock nuts (9398-012). (FIG. 2-19)
7. Install light bracket shields (JAM3418) with 3/8"-16UNC x 1" capscrews (9390-055), 3/8"-16UNC x 5" capscrews (9390-069), and 3/8"-16UNC elastic lock nuts (9398-012). (FIG. 2-19)
8. Install yellow reflector (9003127) to outside of rear light bracket (JAM3414) and top of front, left-hand light bracket (JAM3415). (FIG. 2-19)
9. Place orange decal (9003125) above amber oval LED lamp (JAP4415) and red reflector (9003126) below. (FIG. 2-19)



Transport Lighting Assembly (continued)

Lighting for All Spacings

1. Mount dust cap holder (JAM4575) to tongue with 3/8"-16UNC x 5 x 6 7/16" U-bolt (JBP3045) and 3/8"-16UNC hex nuts (9398-012). (FIG. 2-23)
2. Attach dust cap (9001968) to mounting bracket with 1/4"-20UNC x 1" capscrews (9390-005) and 1/4"-20UNC hex nuts (9394-002). (FIG. 2-23)
3. Extend rear electrical wiring harness (JAP3222) from lights to right-hand and left-hand sides across the rear of frame. (FIG. 2-22)
4. Attach electrical wiring harness extension (JAP3221) to rear electrical wiring harness (JAP3222). Extend down the right-hand side of the tongue through hose holders to dust cap. (FIG. 2-22)
5. Attach electrical wiring harness extension (JAP3221) to electrical plug and socket harness (JAP3223). (FIG. 2-22)

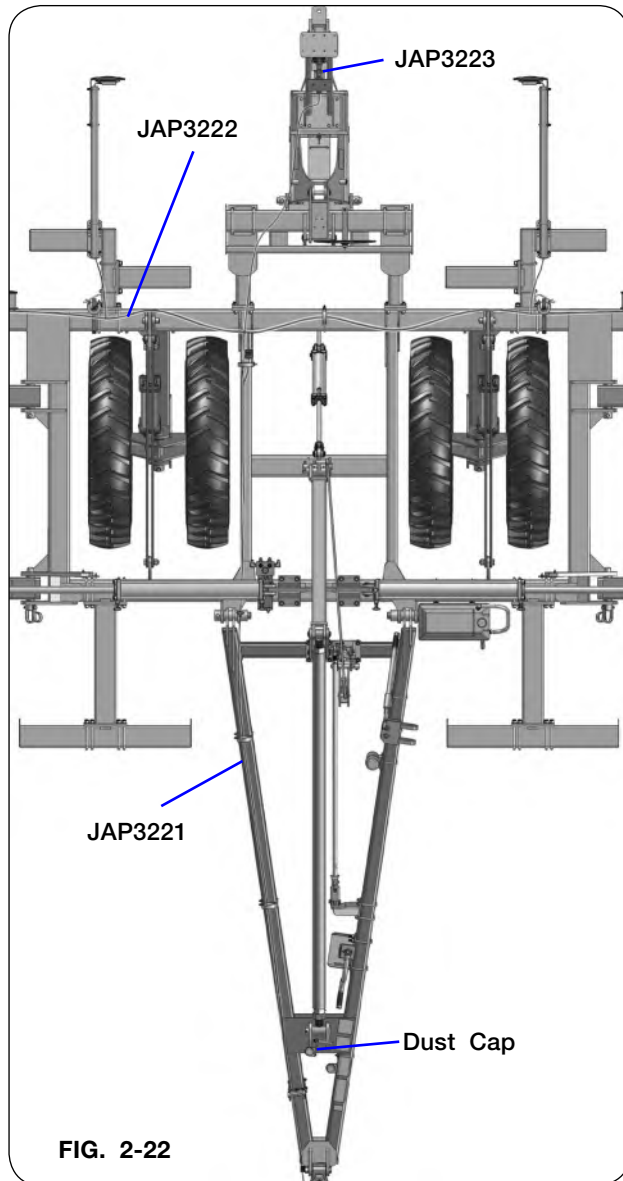


FIG. 2-22

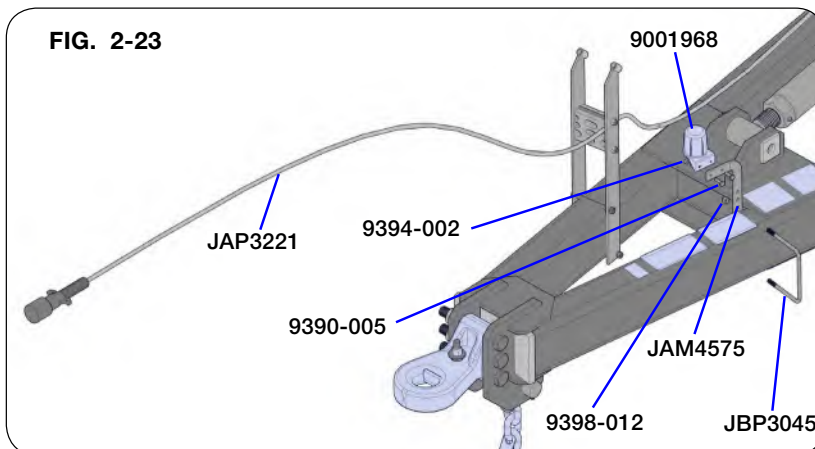
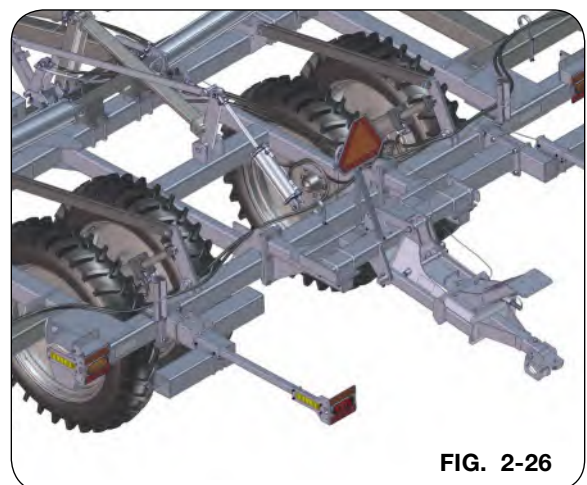
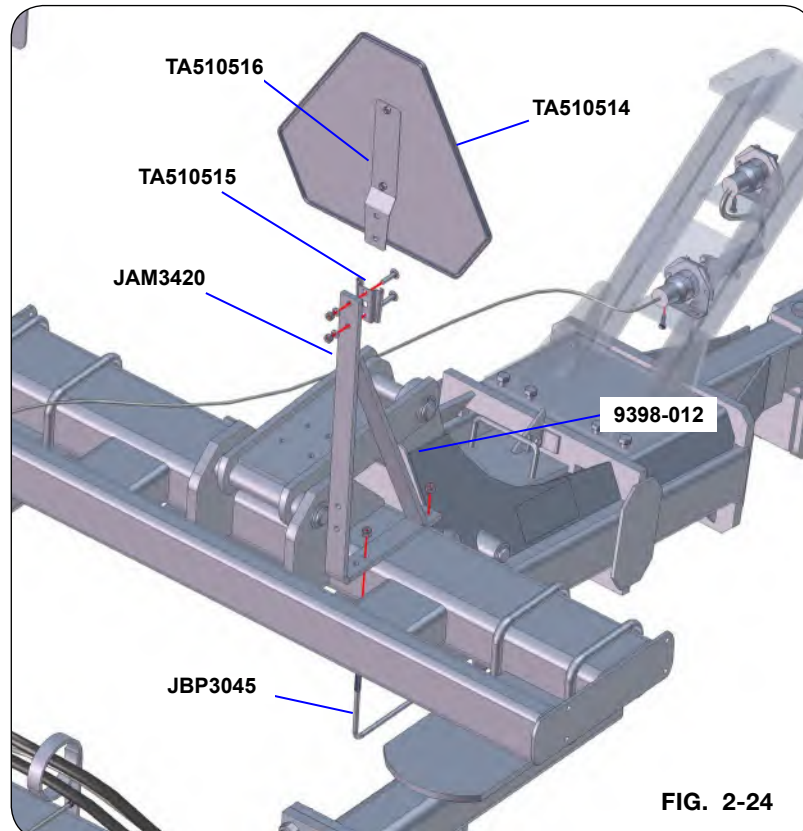


FIG. 2-23

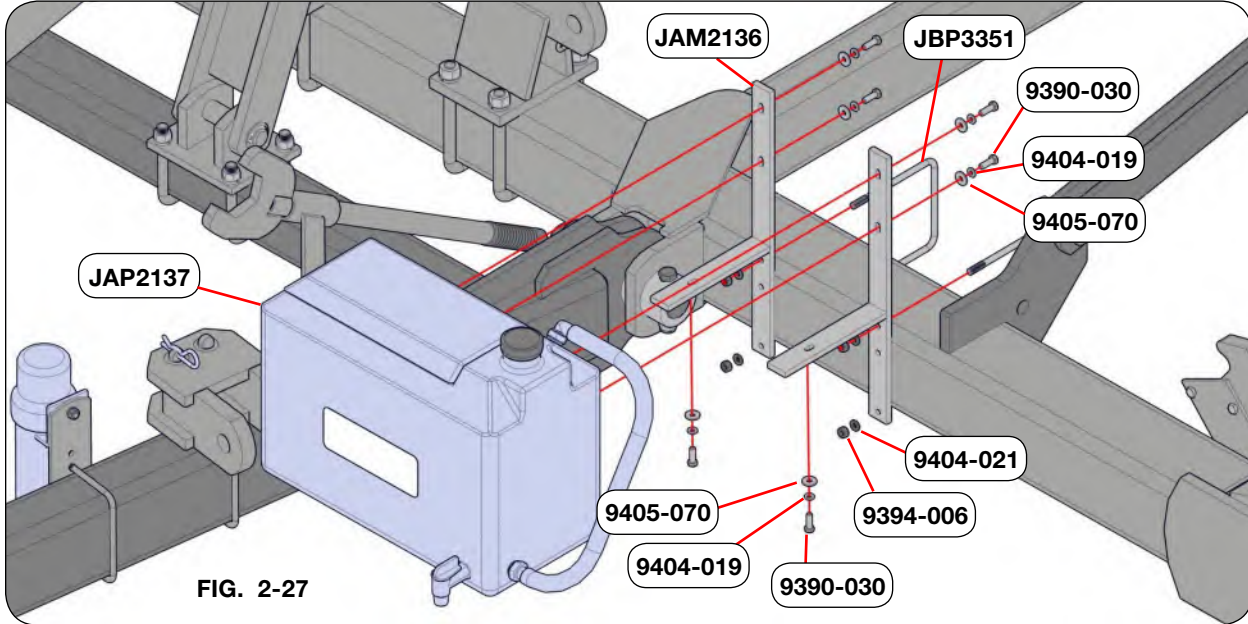
SMV Assembly

1. Mount SMV mounting bracket (JAM3420) near the center of the rear bar with 3/8"-16UNC x 5" x 6 7/16" U-bolt (JBP3045) and 3/8"-16UNC elastic lock nuts (9398-012). (FIG. 2-24)
2. Attach spade (TA510516) to SMV sign (TA510514) with hardware supplied. (FIG. 2-24)
3. Secure to socket (TA510515) with hardware provided. (FIG. 2-24 & FIG. 2-25)



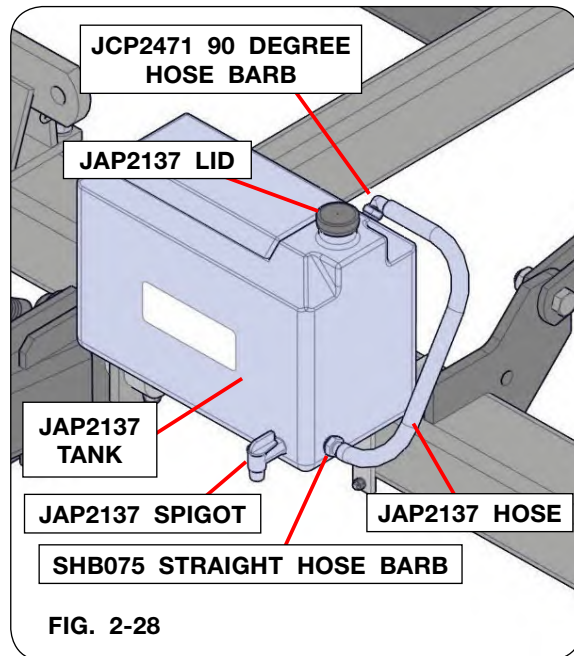
Clean Water Tank Location and Assembly

1. Attach two 9 gallon tank mounting brackets (JAM2136) to 9 gallon fresh water safety tank (JAP2137) with six 5/16" flat washers (9405-070), 5/16" lock washers (9404-019) and 5/16"-18UNC x 1" capscrews (9390-030) (FIG. 2-27). Torque hardware to 10 ft.-lbs.



2. Attach tank on the left-hand side with two 3/8"-16UNC x 6"W x 7"L u-bolts (JBP3351). Secure with 3/8" lock washers (9404-021) and 3/8"-16UNC hex nuts (9394-006). (FIG. 2-27)

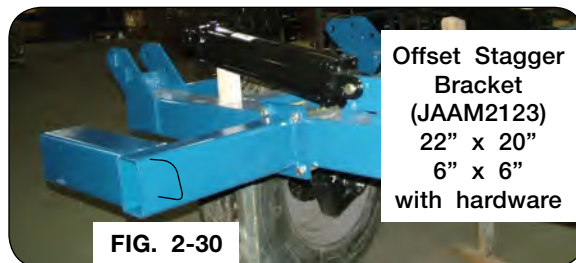
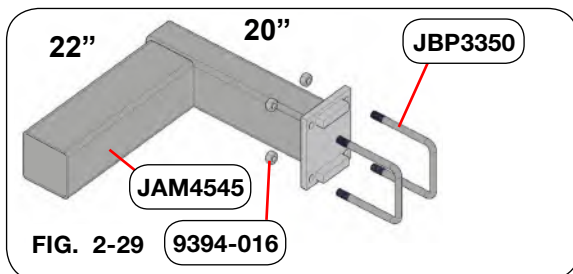
3. Place sealant on tank spigot and install in the front of the tank (FIG. 2-28). Place sealant on hose barb and install top and bottom. Place hose clamp on clear hose and attach to bottom tank hose barb. The top hose barb should not have a hose clamp to allow for emergency use of the hose for flushing affected areas of chemical exposure.



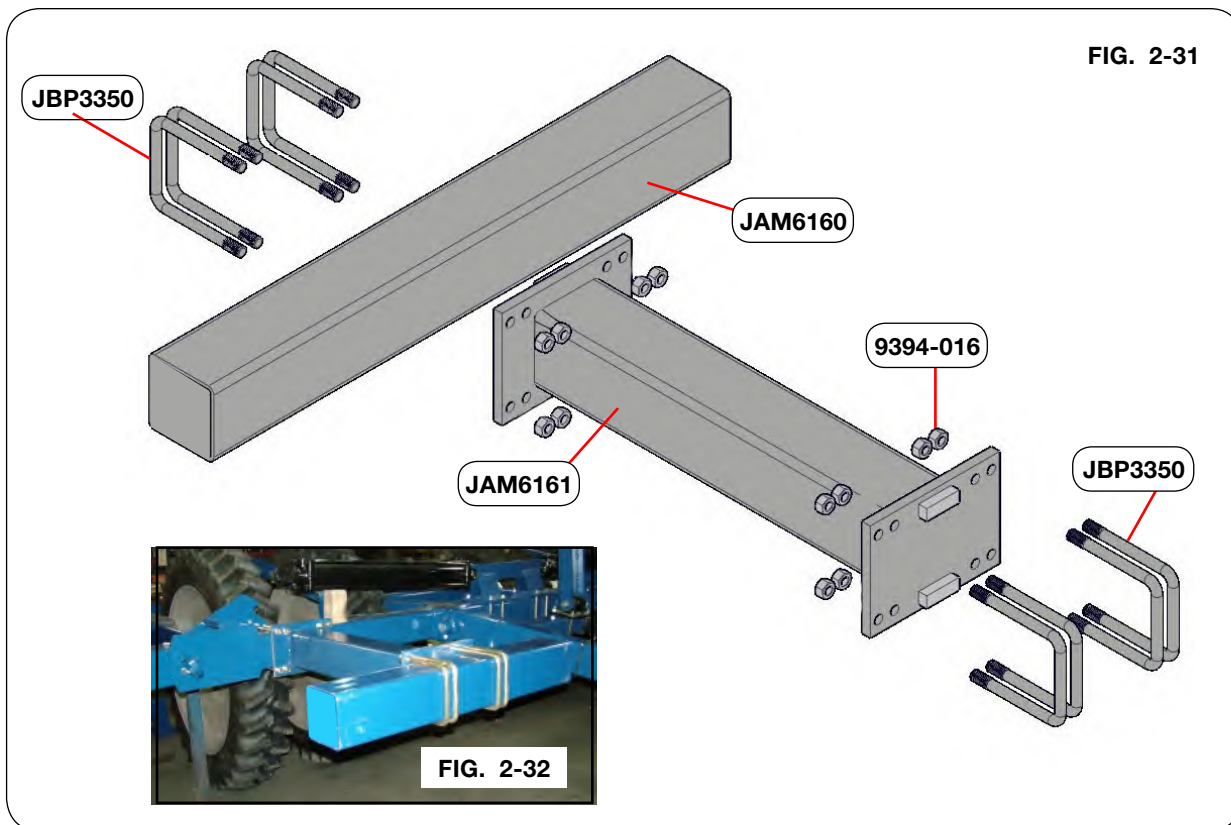
Mounting Offset Stagger & Double Extension Brackets

NOTE: For proper positioning, refer to “Overhead Layouts”, in SET UP section.

- Using a safe lifting device rated for at least 100 lbs., attach 6” x 6” mounting offset stagger brackets (JAM4545) with 3/4”-10UNC x 6”W x 7 1/16”L U-bolts (JBP3350) and 3/4”-10UNC hex nuts (9394-016). (FIG. 2-29 & FIG. 2-30)



- Attach 35” double extension bracket (JAM6161) 6” x 6” mounting to frame with four 3/4”-10UNC x 6”W x 7 1/16”L u-bolts (JBP3350) and 3/4”-10UNC hex nuts (9394-016). (FIG. 2-31)
- Mount 35” extension bracket (JAM6160) to 35” double extension bracket (JAM6161) with four 3/4”-10UNC x 6”W x 7 1/16”L u-bolts (JBP3350) and 3/4”-10UNC hex nuts (9394-016). (FIG. 2-31)



Sealer II Assembly (JAAM2857)
Optional Sealer II Spring Add-On Kit 1 Row

1. Remove the 1/2"-13UNC x 1 1/2" capscrews (9390-101), 1/2" lock washer (9404-025) and 1/2"-13UNC hex nut (9394-010) from the lower clevis (JAM2489) (FIG. 2-33).
2. Mount the sealer spring clevis lower (JAM2489) to arm with clevis hole to the front (FIG. 2-34). Loosely attach with 1/2"-13UNC x 1 1/2" capscrews (9390-101), 1/2" lock washer (9404-025) and 1/2"-13UNC hex nut (9394-010).
3. Remove the 1/2"-13UNC x 1 1/2" capscrew (9390-101), 1/2" lock washer (9404-025) and 1/2"-13UNC hex nut (9394-010) from the clevis weldment end of the sealer spring add-on kit.
4. Remove the 1/2"-13UNC x 3 1/2" capscrew (9390-109) and 1/2"-13UNC lock nut (94981) from the upper spring of the sealer spring add-on kit.
5. Mount the upper end of the sealer add-on kit to the sealer mounting bracket assembly loosely with 1/2"-13UNC x 1 1/2" capscrew (9390-101), 1/2" lock washer (9404-025) and 1/2"-13UNC hex nut (9394-010). (FIG. 2-33)
6. Loosely attach the upper spring of the sealer spring add-on kit to the sealer mounting bracket assembly with 1/2"-13UNC x 3 1/2" capscrew (9390-109) and 1/2"-13UNC lock nut (94981). (FIG. 2-33)
7. Secure hardware, but do not over tighten hardware. Allow tubes to pivot.

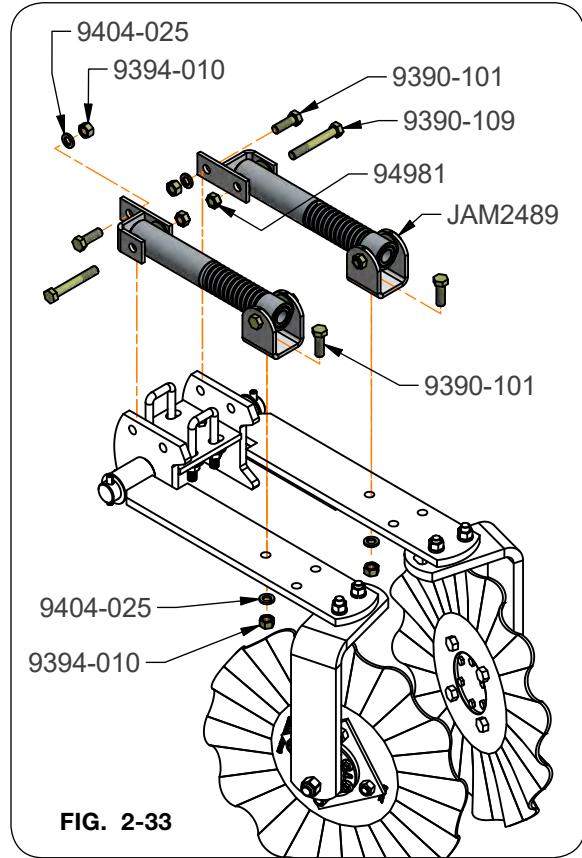


FIG. 2-33

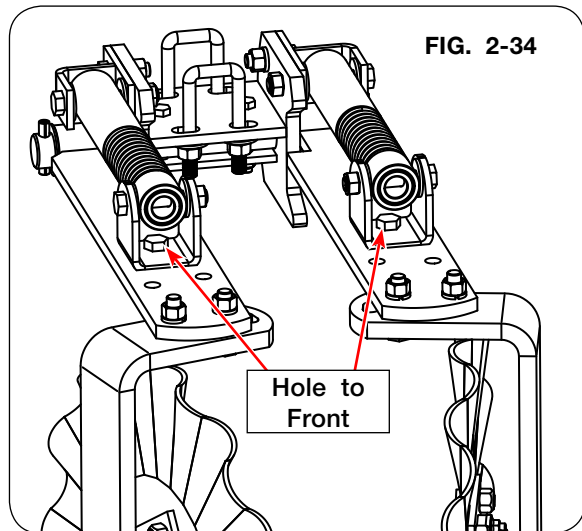


FIG. 2-34

Torsion Arm Assembly

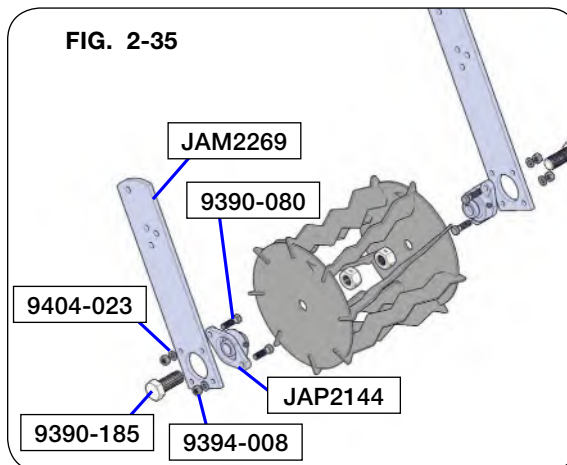
Attaching Bearings and Basket to Mounting Arms

- Loosely attach bearing (JAP2144) on strip-till basket mount arm (JAM2269), with 7/16"-14UNC x 1 1/2" capscrews (9390-080), 7/16" lock washers (9404-023), and 7/16"-14UNC hex nuts (9394-008). (FIG. 2-35)

NOTE: Do not tighten hex nuts until the basket is installed.

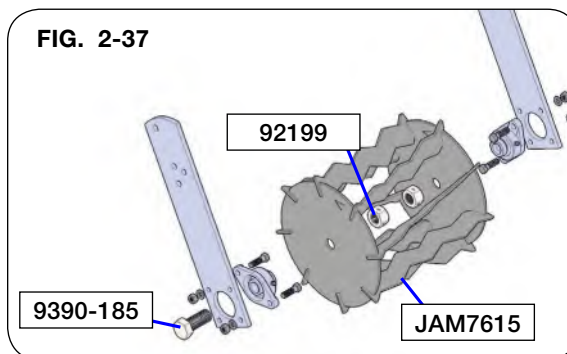
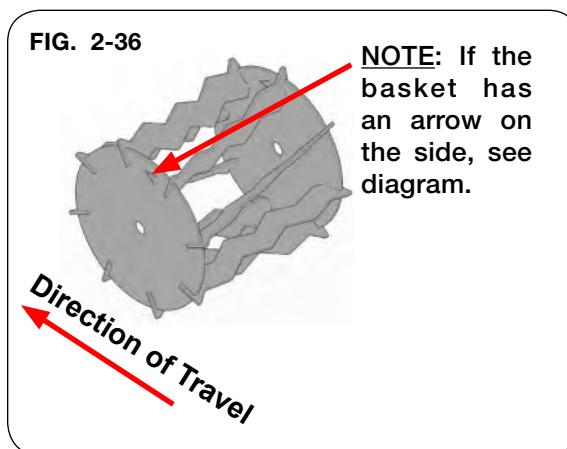
- Insert 1"-8UNC x 2 1/2" capscrew (9390-185) into both bearing arm assemblies (FIG. 2-35).

NOTE: Bearing lock collars not used.



Position Basket on Torsion Spring Assembly

- Insert strip-till basket (JAM7615), over 1"-8UNC x 2 1/2" capscrew (9390-185) (FIG. 2-37). Install 1"-8UNC lock nut (92199). Tighten hardware according to Torque Chart in MAINTENANCE section.



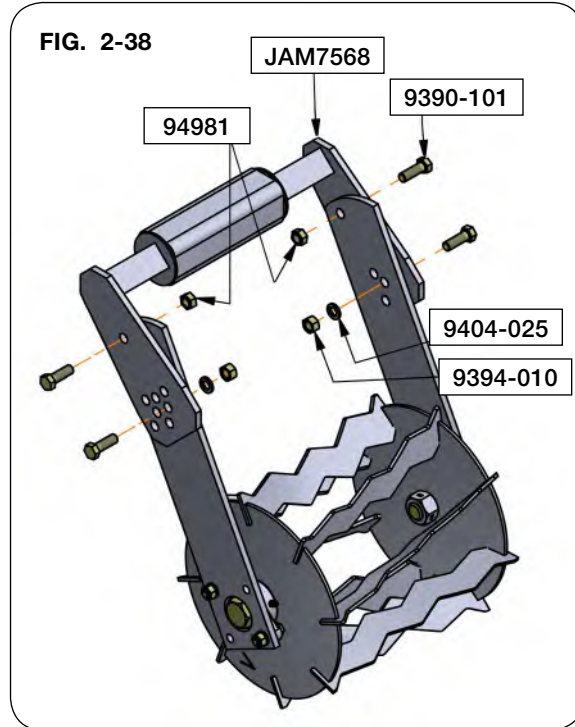
Torsion Arm Assembly (continued)

Center Basket

1. Position StripTill basket assembly on torsion spring assembly (FIG. 2-38). Insert 1/2"-13UNC x 1 1/2" capscrews (9390-101), top and bottom. Secure top pivot hex cap screws with 1/2" lock nuts (94981). Secure lower adjustable capscrews with 1/2" lock washers (9404-025) and 1/2"-13UNC hex nuts (9394-010). Tighten hardware according to Torque Chart in MAINTENANCE section.

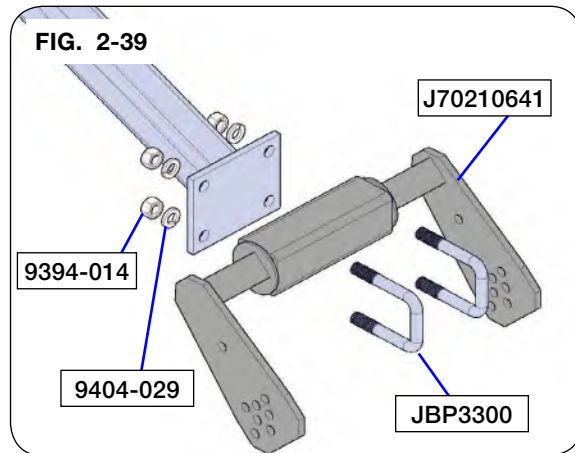
NOTE: Insert the basket arms to the inside of the StripTill torsion spring (JAM7568).

(Diagram shows a starting/medium packing position.)



Attaching Torsion Arm Assembly To MaxPac Basket Mount Arm

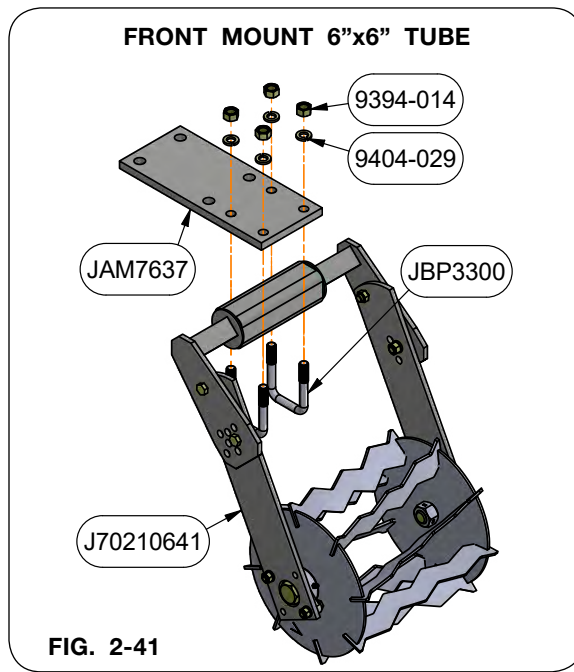
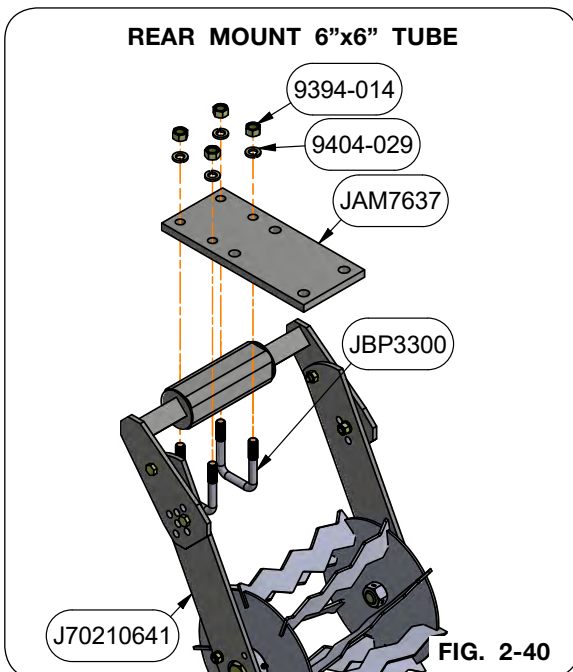
1. Attach torsion arm assembly (J70210641), to MaxPac basket mount arm with 5/8"-11UNC x 2 1/2" x 4" U-bolts (JBP3300), 5/8" lock washers (9404-029), and 5/8"-11UNC hex nuts (9394-014) (FIG. 2-39).



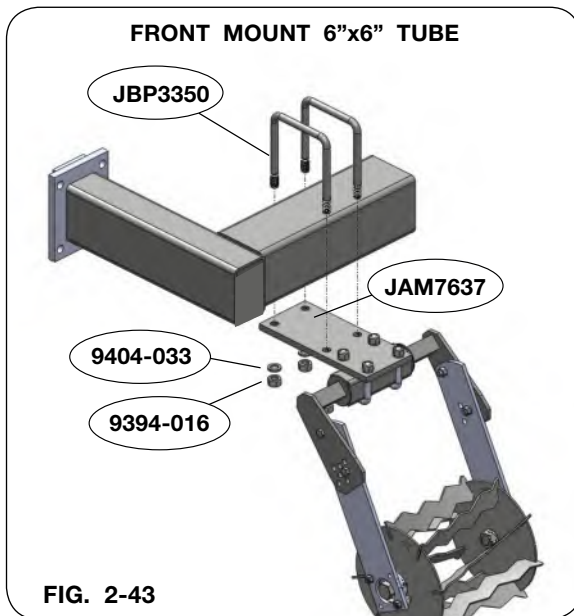
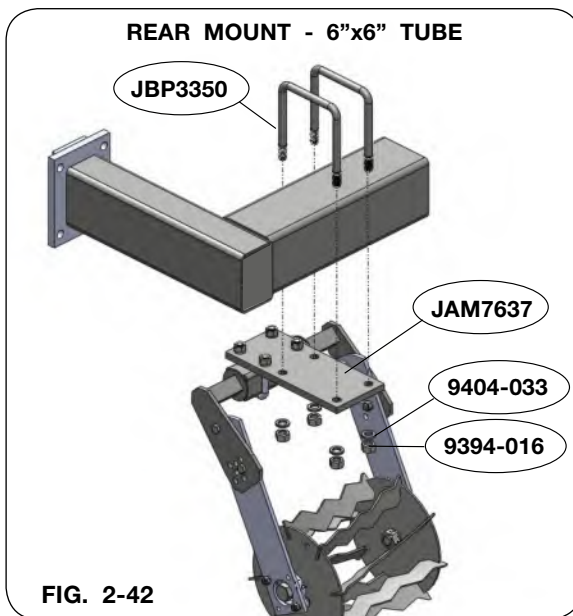
Torsion Arm Assembly (continued)

**Attaching Torsion Arm Assembly To 6"x6" Tube
(Bundle #JAAM2630)**

1. Center and attach torsion arm assembly (J70210641), to the basket mount plate (JAM7637) with 5/8"-11UNC x 2 1/2"W x 4"L U-bolts (JBP3300), 5/8" lock washers (9404-029), and 5/8"-11UNC hex nuts (9394-014) as shown below. Tighten hardware according to Torque Chart in MAINTENANCE section.



2. Using a safe lifting device rated at a minimum of 100 lbs., secure the basket mount plate to the rear or front mount 6"x6" tube with two 3/4"-10UNC x 6"W x 7 11/16"L U-bolts (JBP3350), four 3/4" lock washers (9404-033), and four 3/4"-10UNC hex nuts (9394-016). Torque hardware.



MaxPac AR700 Assembly

1. Using a safe lifting device rated at a minimum of 150 lbs., secure MaxPac row unit (JAM2264) with 1 1/4" x 2" EdgeBent shank (JAP2125) with backing plate (JAM2262), 3/4"-10UNC x 8" capscrews (9390-161) 3/4" lock washers (9404-033), and 3/4"-10UNC hex nuts (9394-016). (FIG. 2-44)

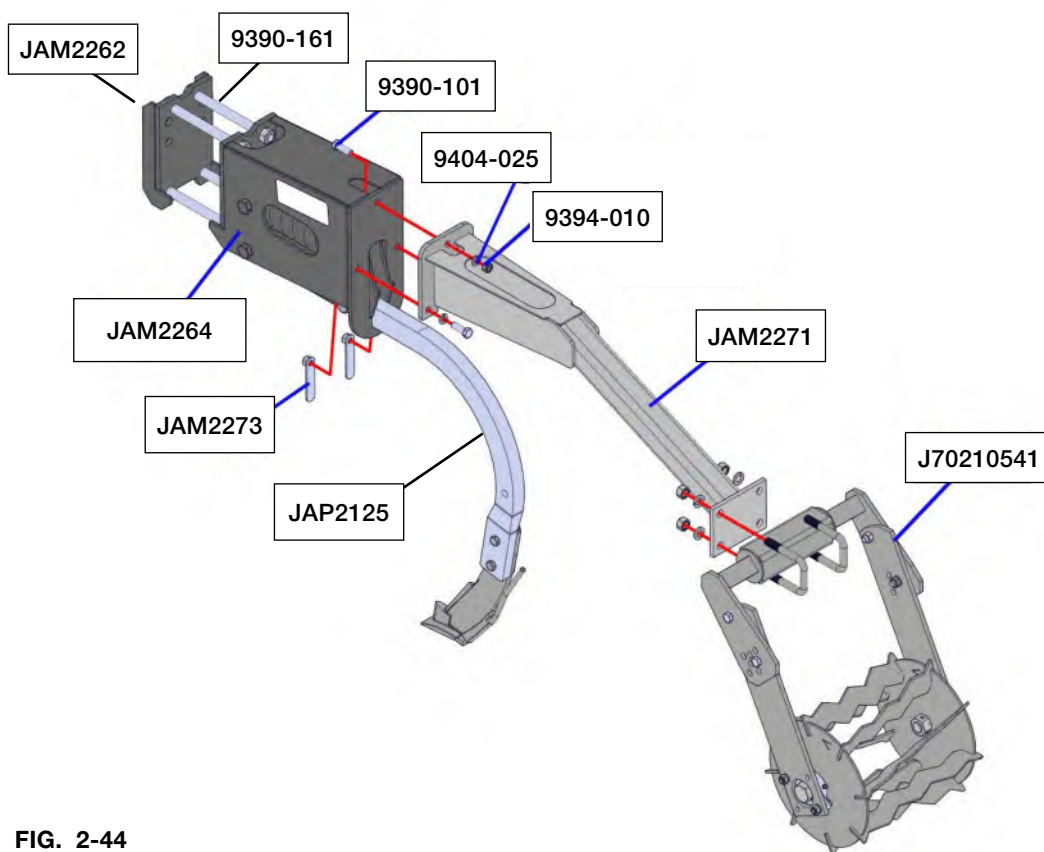


FIG. 2-44

2. Using a safe lifting device rated at a minimum of 100 lbs., secure MaxPac basket mount weldment (JAM2271) and torsion arm assembly (J70210641) to the MaxPac row unit (JAM2264) with two nut plate weldments (JAM2273), one 1/2"-13UNC hex nut (9394-010), three 1/2" lock washers (9404-025), and three 1/2"-13UNC x 1 1/2" capscrews (9390-101). (FIG. 2-44)
3. Tighten hardware according to Torque Chart in the MAINTENANCE section of this manual.

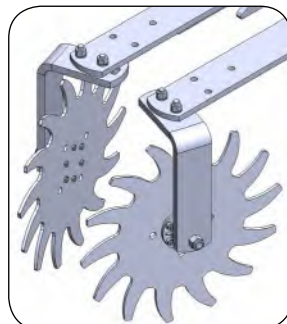
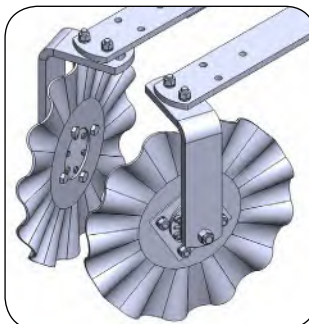
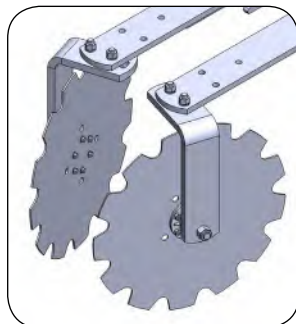
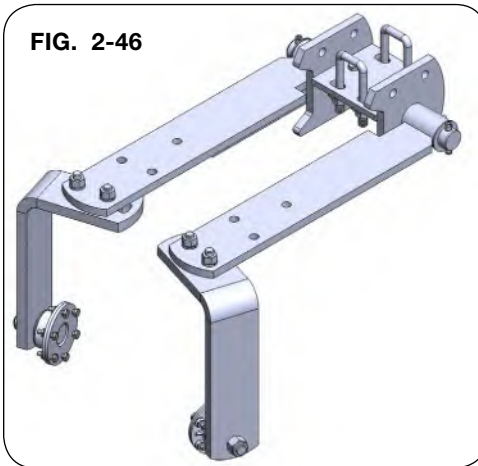
Residue Manager Assembly

Refer to Residue Manager manual #J0400023 for specific Set Up instructions.



DiscCover Sealer Assembly

Refer to DiscCover Sealer manual #J0400040 for specific Set Up instructions.



Setting The Implement For Field Operation

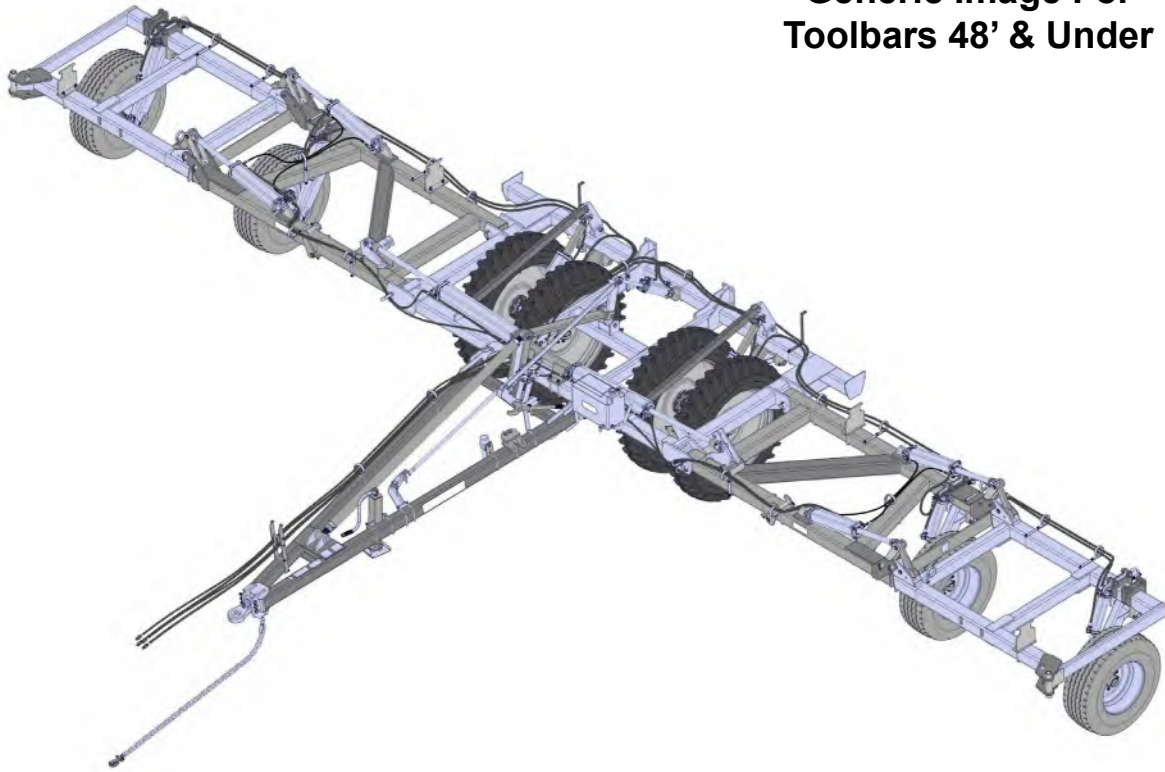
1. Run the implement in the field for approximately 100 feet (making sure the tractor reaches the speed at which you wish to operate the machine). Stop while leaving the shanks in the ground.
2. Check for your desired shank depth on a middle row and on each wing. Shank depth should be at least 4" from ground level (6"-8" is optimum fertilizer placement depth for corn in most areas). Adjust the mainframe and wing wheels accordingly and repeat steps 1&2 until desired depth across the machine is achieved.
3. Ensure the frame is level from front to back when the shanks are in the ground at the depth you have chosen.
4. Walk to the back of the machine
 - a. Check for uniformity on the strips from row to row. Below: are items to look for.
 - i. **Fall Operation (In areas with a good freeze-thaw over the winter):**
 1. Top of the berm should be at a minimum height of 4" from ground level (expect it to mellow 2"-3" over the winter)
 2. Berm should be 8"-10" wide
 3. There should be little to no residue within the strip (if using Residue Managers)
 4. The top of the berm should be slightly flattened and most dirt clods should be no larger than your fist (if using baskets on a light setting).
 - ii. **Fall Operation (In areas with little to no freeze-thaw over the winter):**
 1. Top of the berm should be at a height of 2"-3" from ground level (expect it to mellow 1"-2" with winter moisture)
 2. Berm should be 8"-10" wide
 3. There should be little to no residue within the strip (if using Residue Managers)
 4. The top of the berm should be moderately flat and most dirt clods should be no larger than a golf ball (if using baskets on a medium setting)
 - iii. **Spring Operation (all areas)**
 1. Top of the berm should be at a height of 1"-2" from ground level
 2. The berm should be 8"-10" wide
 3. There should be little to no residue within the strip (if using Residue Managers)
 4. The top of the berm should be flat and soil should have a finished look, ready for planting.
 - b. If you see uniformity in the strips across each row, and they are as described above based on the season and climate in which you are running, you are ready to proceed with normal operation.

Setting The Implement For Field Operation (continued)

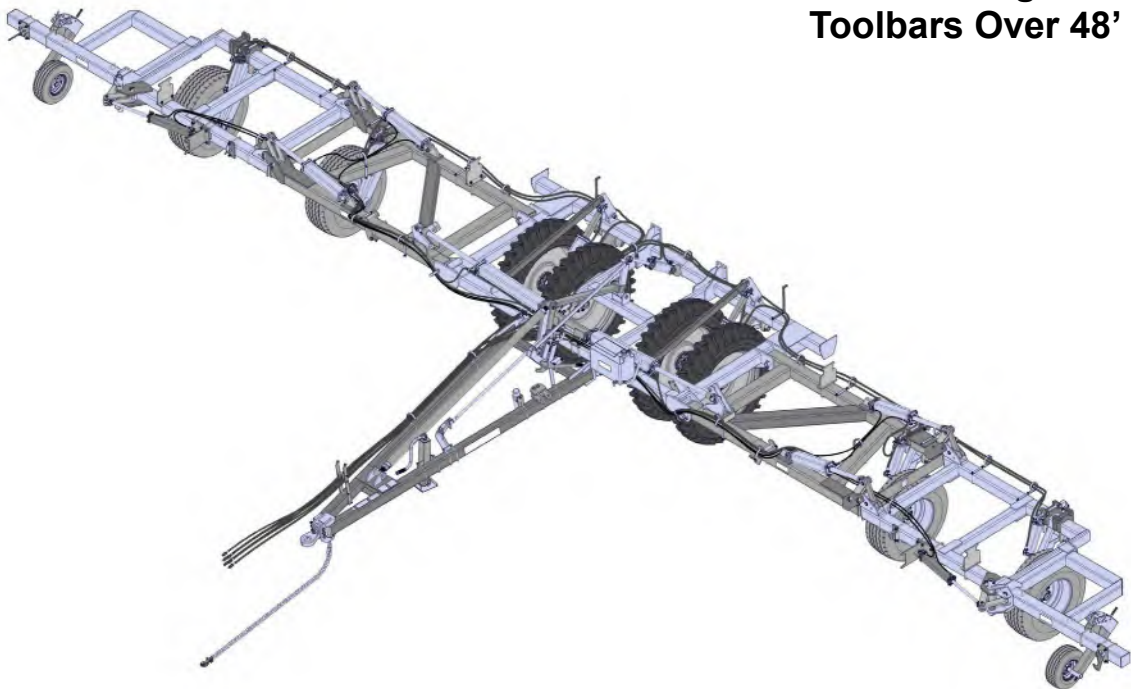
5. If you do not see uniformity in the strips from row to row, pick one of the strips that looks like the description above and use it as an example row. Set the components on the other rows similar to your example row. Below are some of the component settings to check.
 - a. **Coulters**
 - i. Look across the tops of the coulter shanks to see if they are set at equal depth.
 1. Blades should be running 3"-4" in the ground
 2. Be sure the coulter is not set so deep that the hub is running in the ground
 - ii. If the implement has been used before, check the coulter blades to make sure they have similar wear/diameters.
 - b. **Residue Managers**
 - i. There are a heavy and light spring pressure settings. Be sure that all Residue Managers are set on the same pressure setting.
 - ii. Lift up on the Residue Managers to gauge pressure if settings are the same, but you suspect the spring pressure is different.
 - iii. See recommended setting for your residue type and climate above
 - c. **Sealer Blade Hanger Position**
 - i. Check to make sure all sealer blade hanger brackets are mounted on the sealer arms in the same positions (all front, all back, or all offset)
 - ii. Check to make sure all sealer blade hanger brackets are mounted on the same width position (either all narrow or all wide)
 - iii. See recommended setting for your residue type and climate above
 - d. **Sealer Blade Angle**
 - i. Check to see that the blades on each row are set at a similar angle
 - ii. Check to see that the backs of the blades on each row are set approximately the same distance apart.
 - iii. See recommended settings for your residue type and climate above
 - e. **Baskets**
 - i. Check to see that all baskets are running on the same pressure setting.
 - ii. Ensure that all baskets freely spin and some are not significantly more restricted compared to others.
 - iii. See recommended setting for your residue type and climate above
 - f. **Knives**
 - i. Lift the implement out of the ground and ensure knives are identical in make and model
 - ii. If the implement has been used before, check to make sure wear characteristics on the knives are similar.
6. If you have checked all settings and still do not see uniformity across the rows, or you have tried different settings and cannot achieve a strip like those described above, call your dealer for additional assistance.

AT6020 - Toolbars

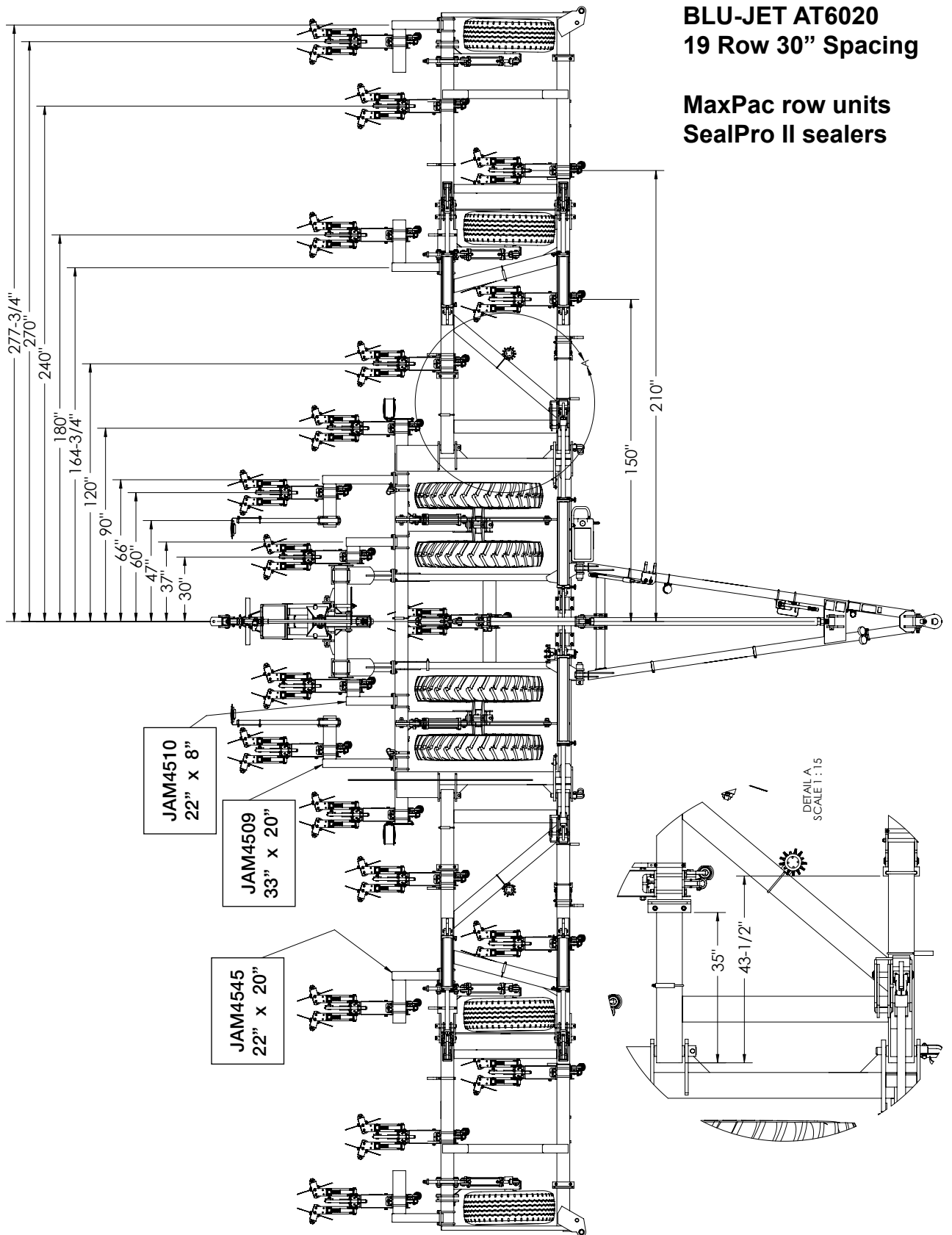
**Generic Image For
Toolbars 48' & Under**



**Generic Image For
Toolbars Over 48'**



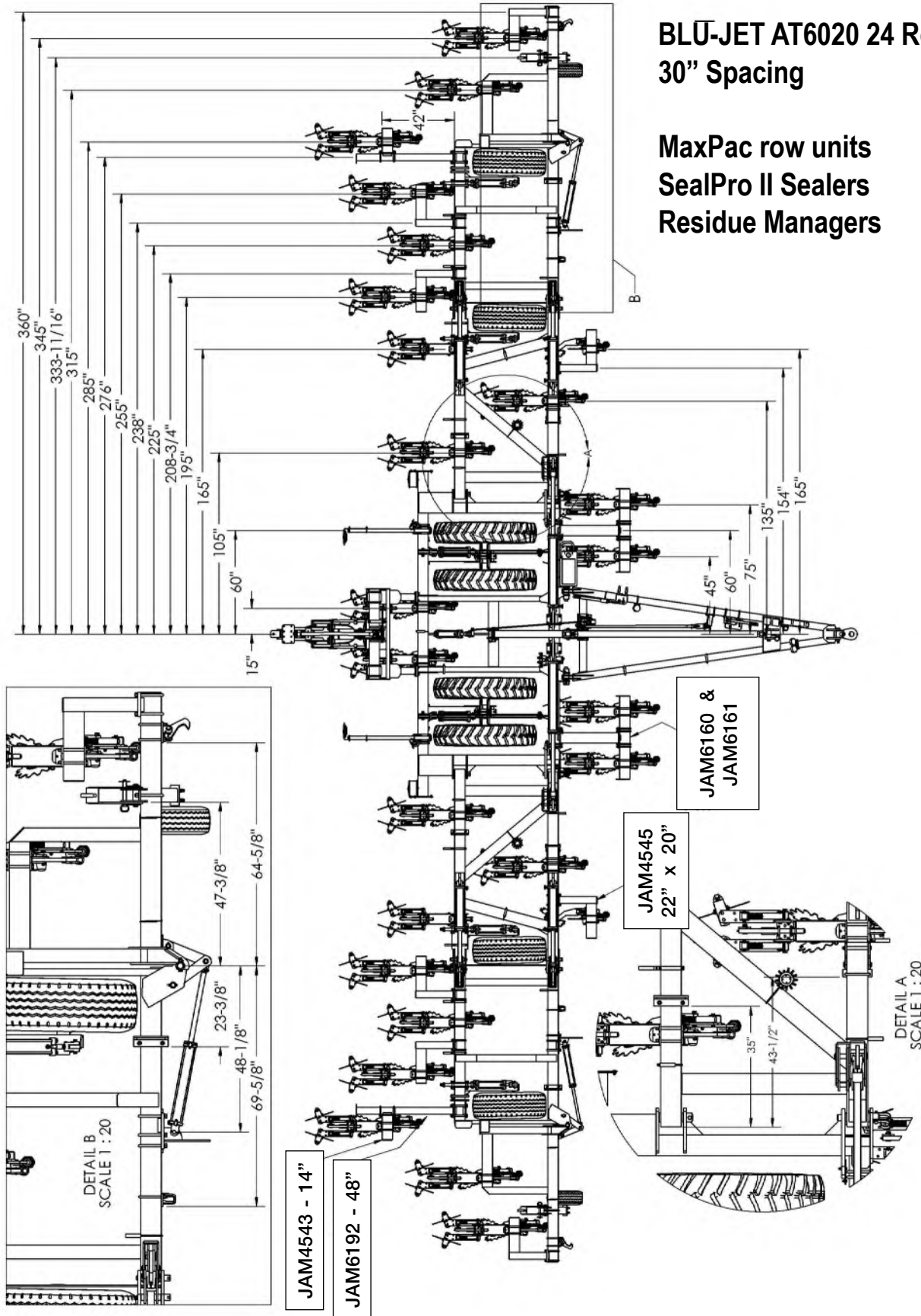
Overhead Layout - AT6020 - 19 Row 30" Spacing



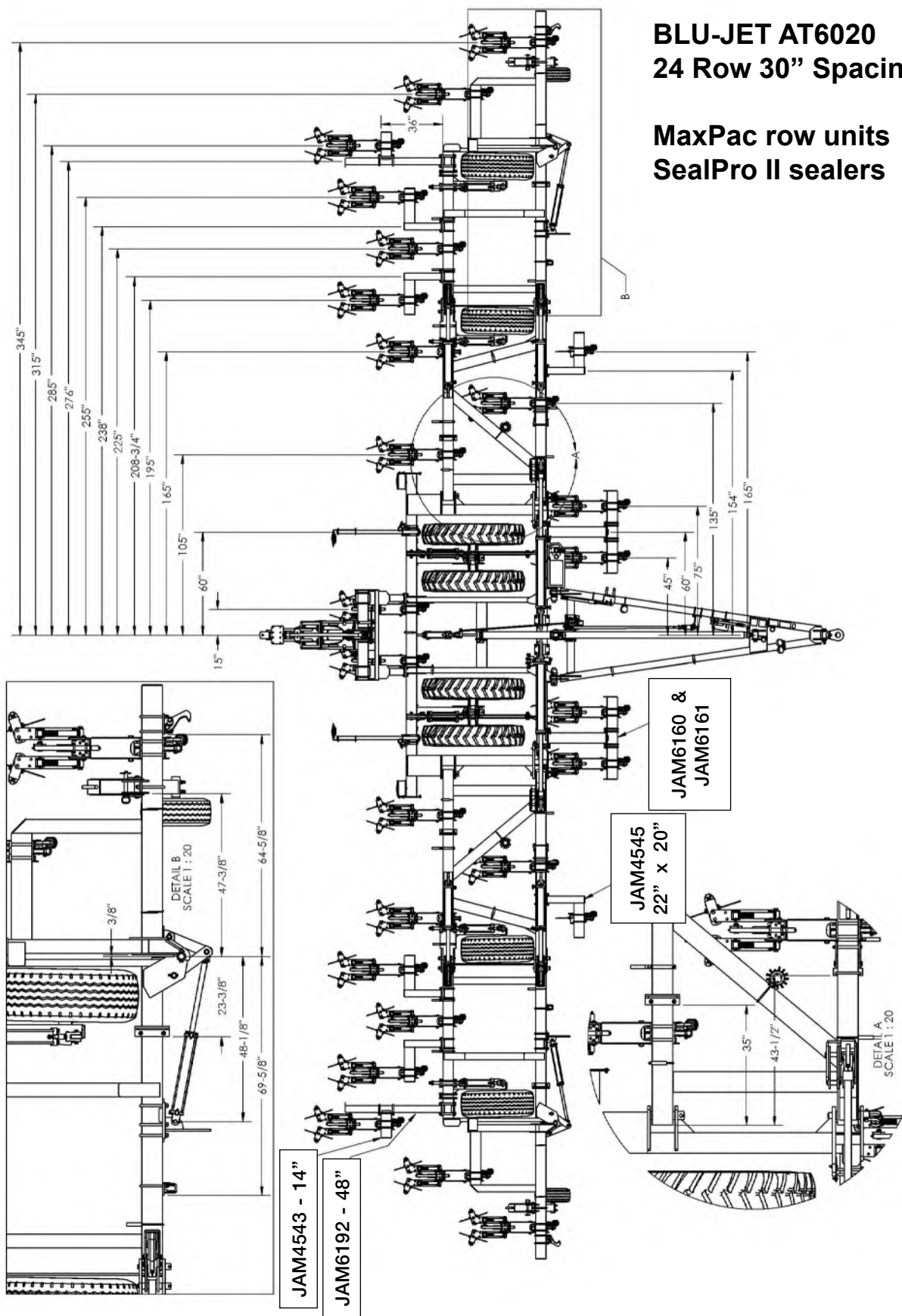
Overhead Layout - AT6020 - 24 Row 30" Spacing

BLU-JET AT6020 24 Row
30" Spacing

MaxPac row units
SealPro II Sealers
Residue Managers



Overhead Layout - AT6020 - 24 Row 30" Spacing



BLU-JET AT6020
24 Row 30" Spacing

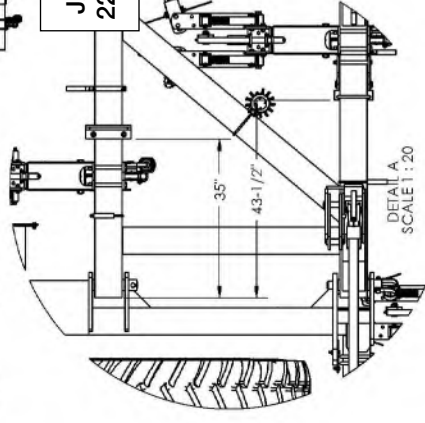
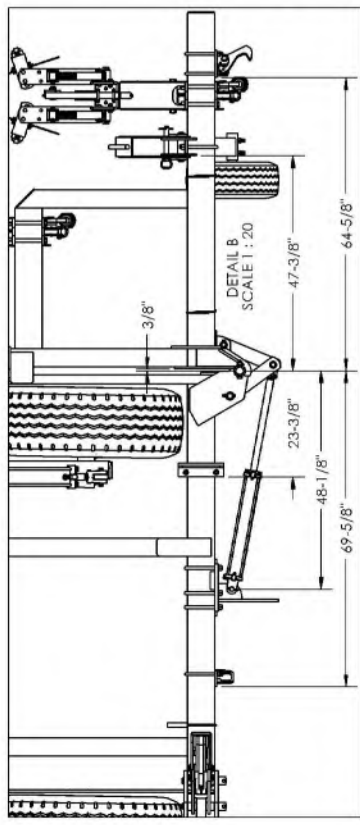
MaxPac row units
SealPro II sealers

JAM4543 - 14"

JAM6192 - 48"

JAM4545
22" x 20"

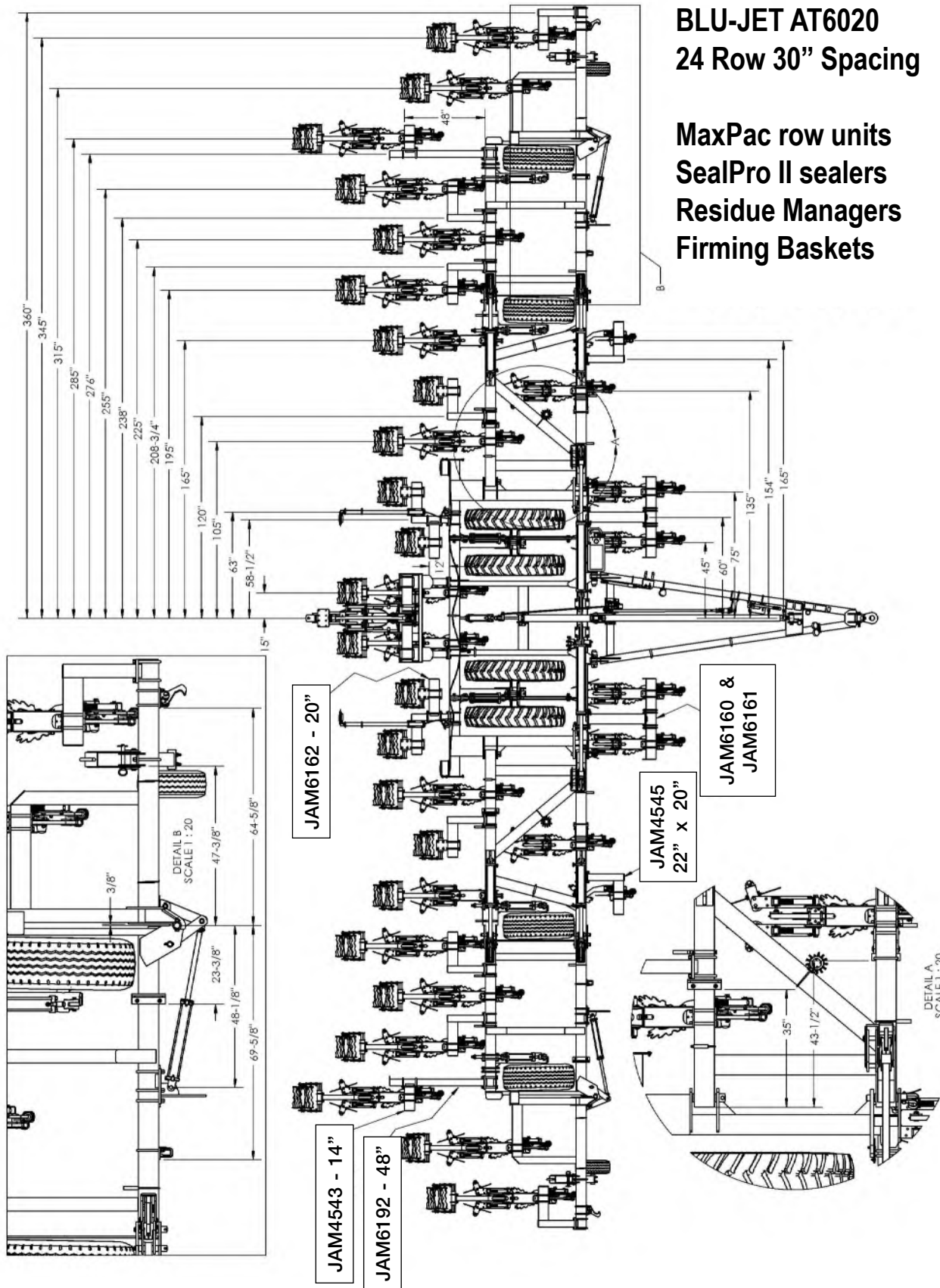
JAM6160 &
JAM6161



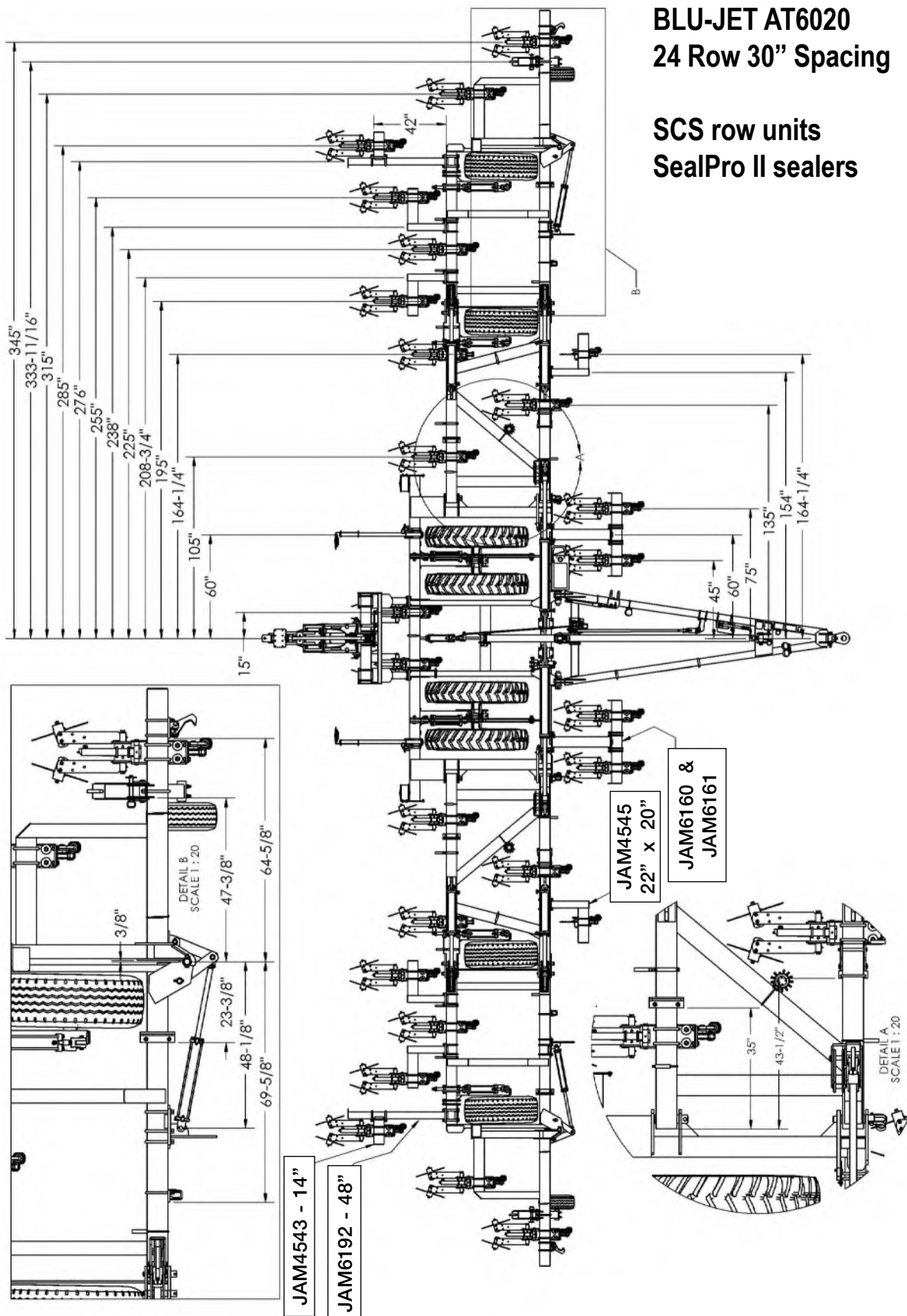
Overhead Layout - AT6020 - 24 Row 30" Spacing

BLU-JET AT6020
24 Row 30" Spacing

MaxPac row units
SealPro II sealers
Residue Managers
Firming Baskets



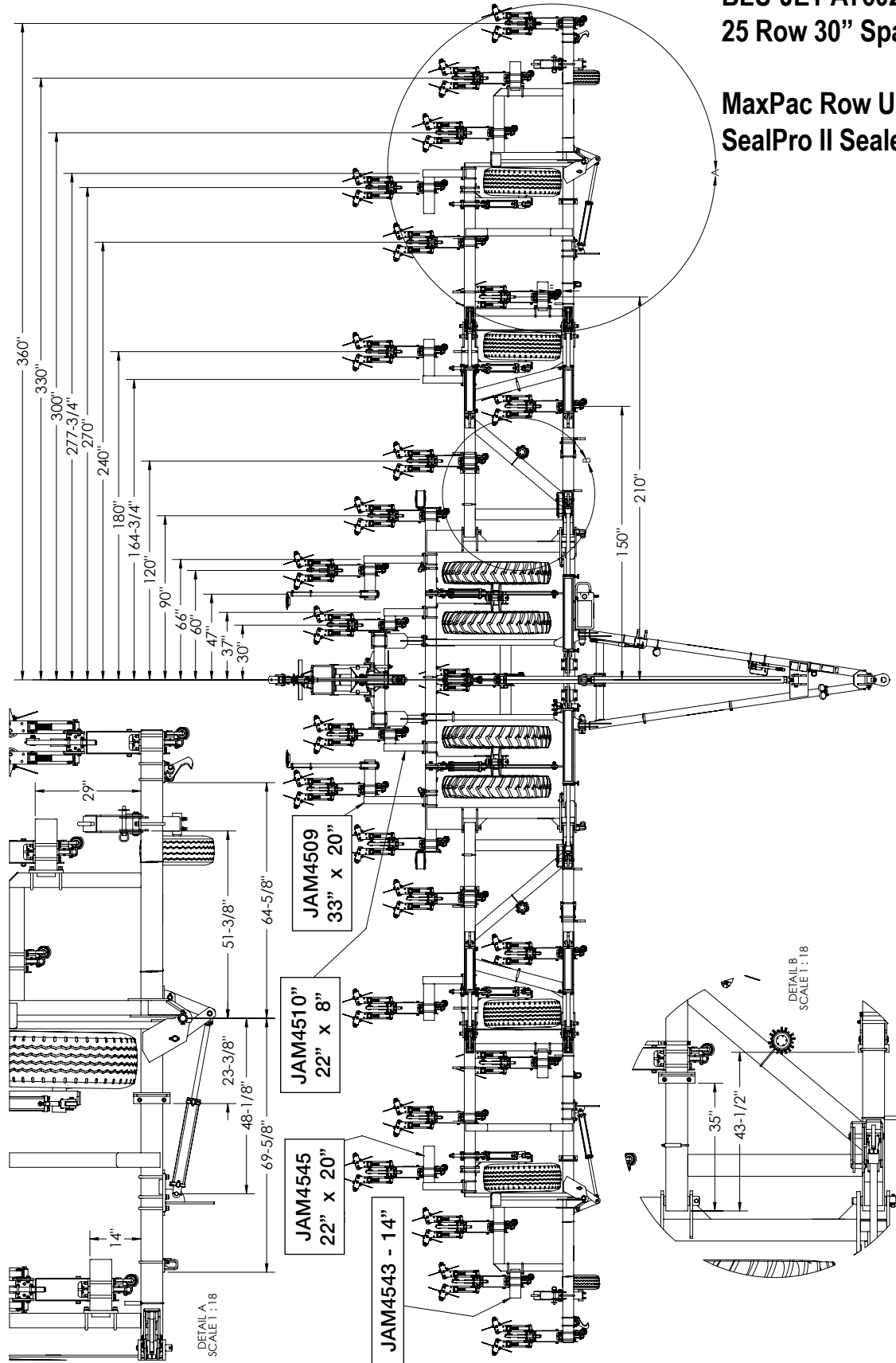
Overhead Layout - AT6020 - 24 Row 30" Spacing



Overhead Layout - AT6020 - 25 Row 30" Spacing

BLU-JET AT6020
25 Row 30" Spacing

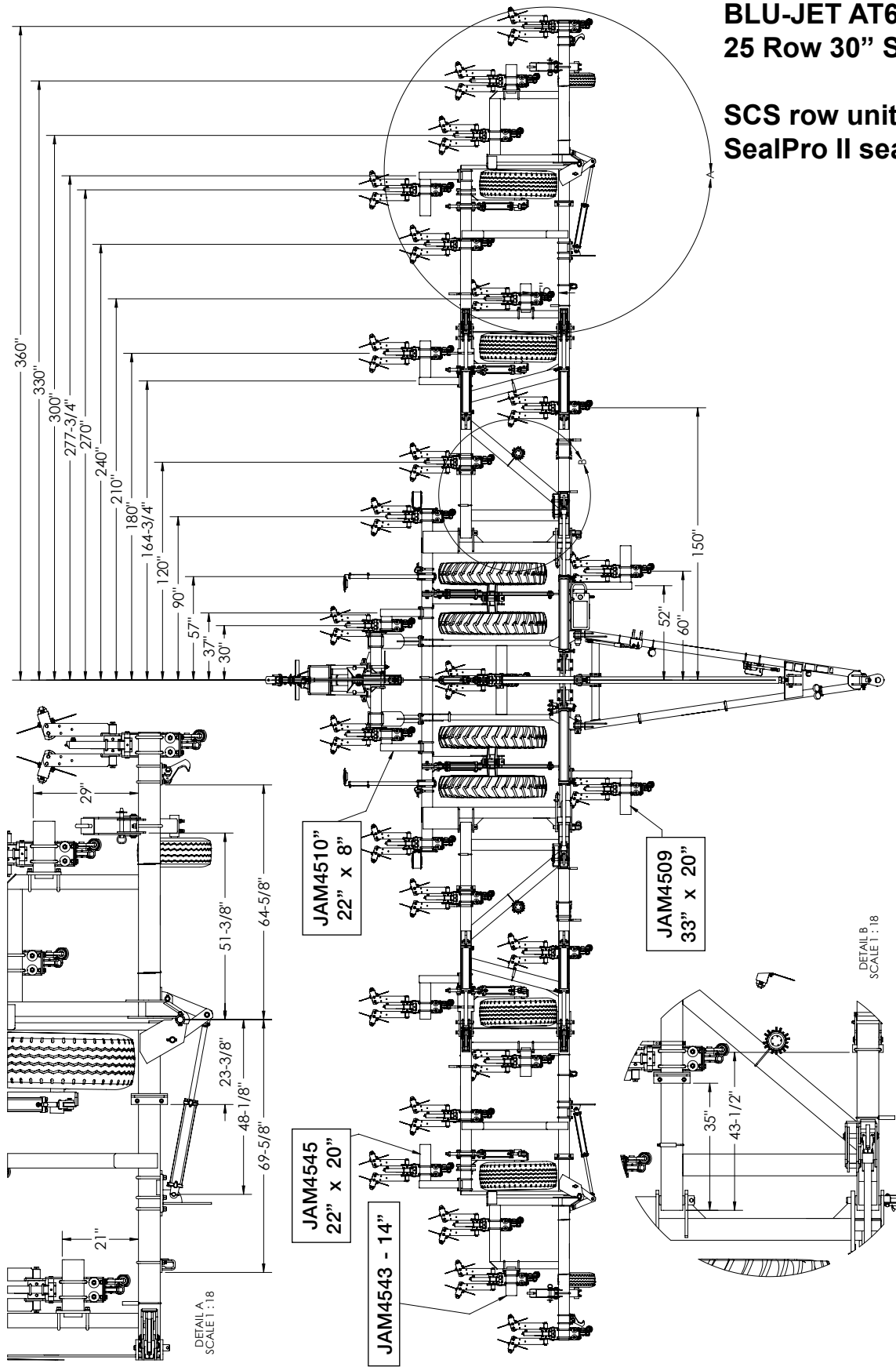
MaxPac Row Units
SealPro II Sealers



Overhead Layout - AT6020 - 25 Row 30" Spacing

BLU-JET AT6020
25 Row 30" Spacing

SCS row units
SealPro II sealers



JAM4510
22" x 8"

JAM4509
33" x 20"

JAM4545
22" x 20"

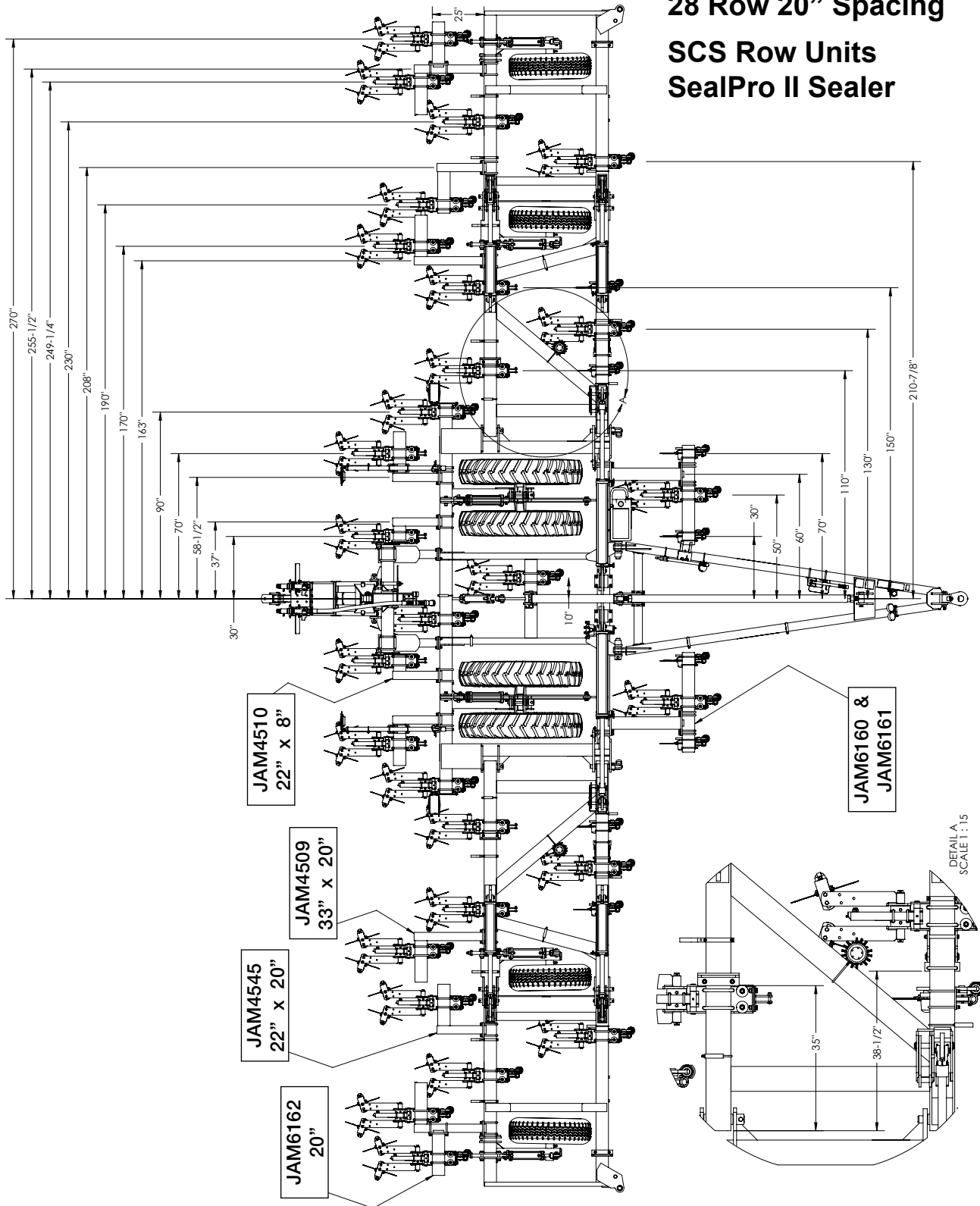
JAM4543 - 14"

DETAIL A
SCALE 1:18

DETAIL B
SCALE 1:18

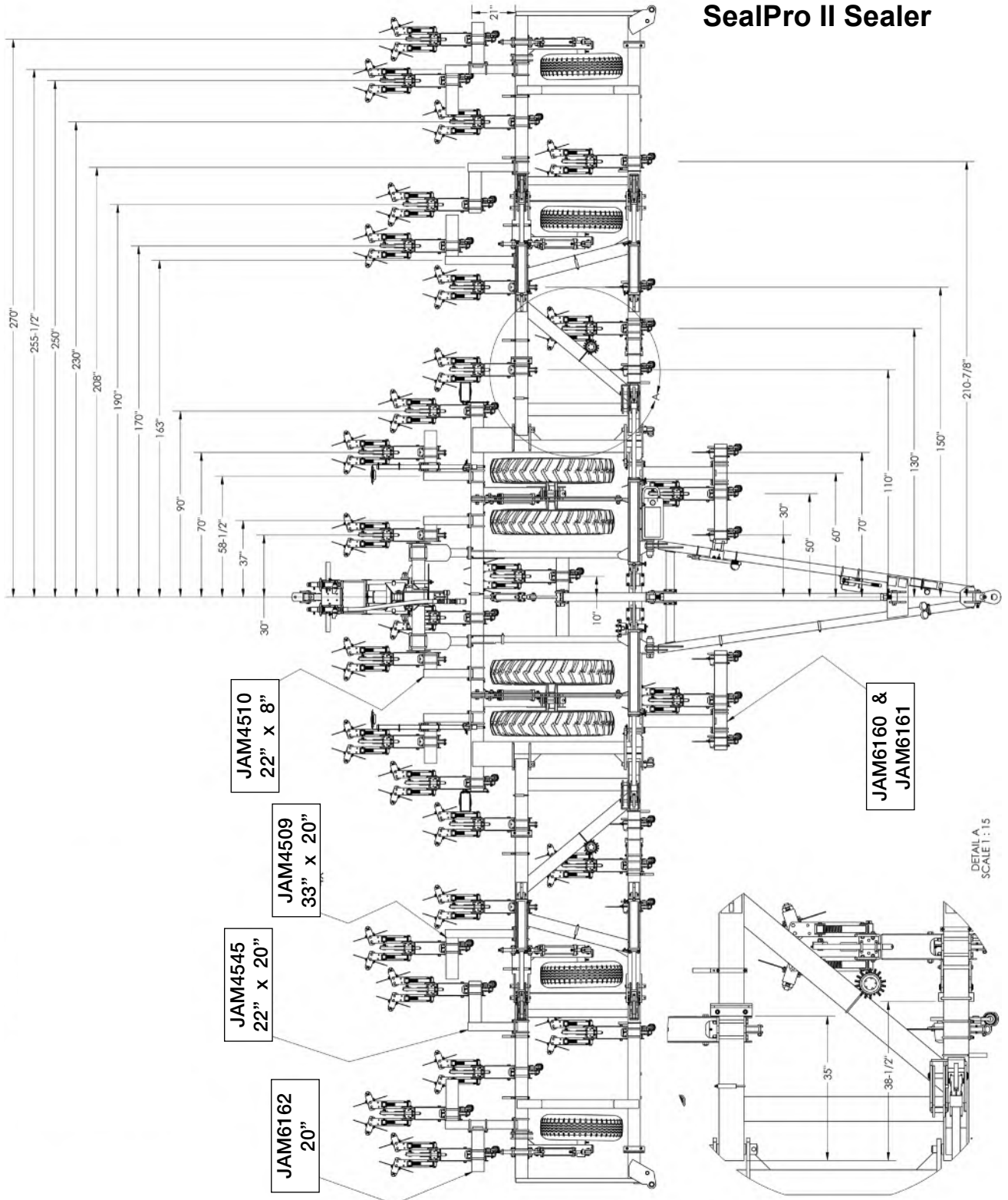
Overhead Layout - AT6020 - 28 Row 20" Spacing

BLU-JET AT6020
28 Row 20" Spacing
SCS Row Units
SealPro II Sealer



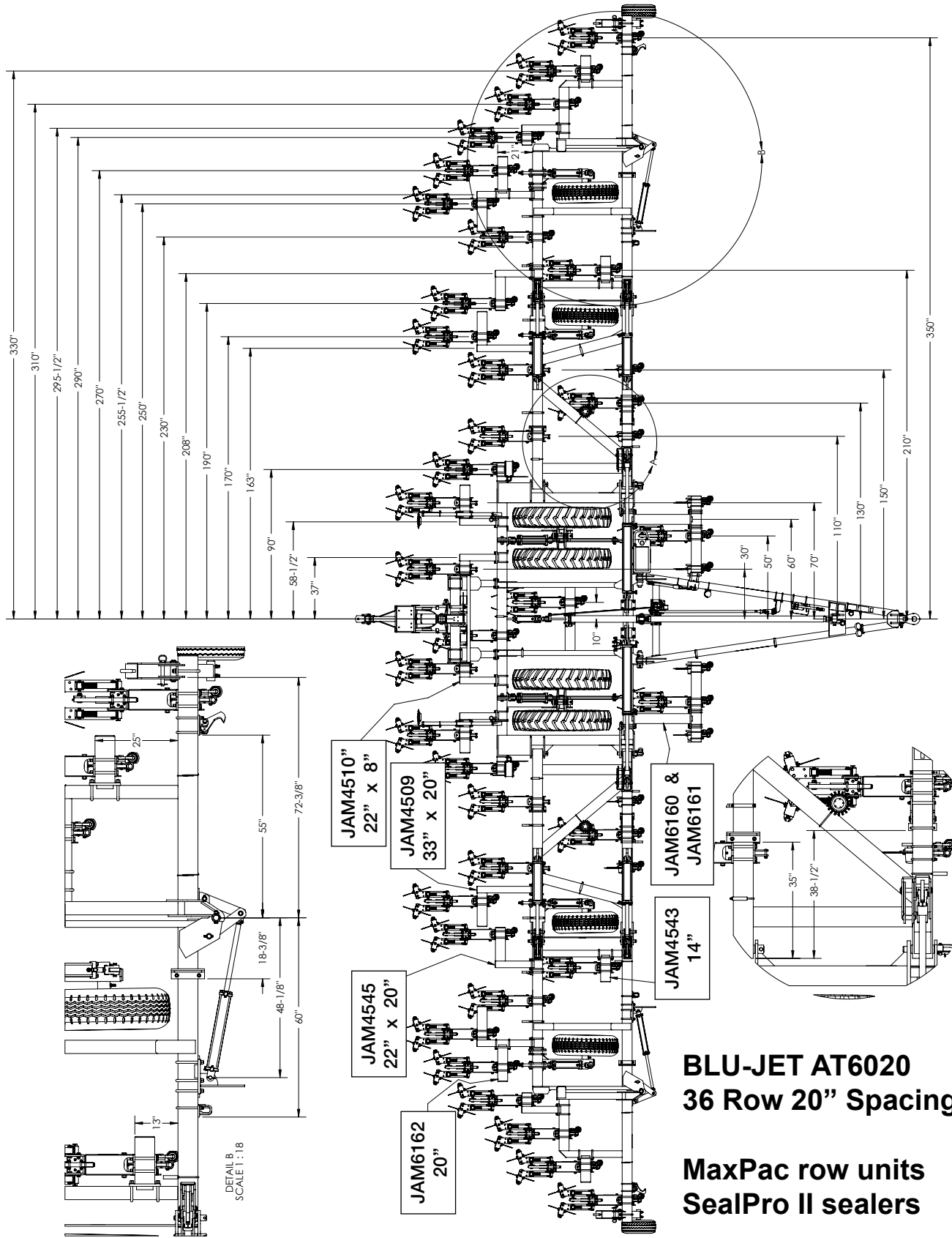
Overhead Layout - AT6020 - 28 Row 20" Spacing

BLU-JET AT6020
28 Row 20" Spacing
MaxPac Row Units
SealPro II Sealer



AT6020 — Set Up

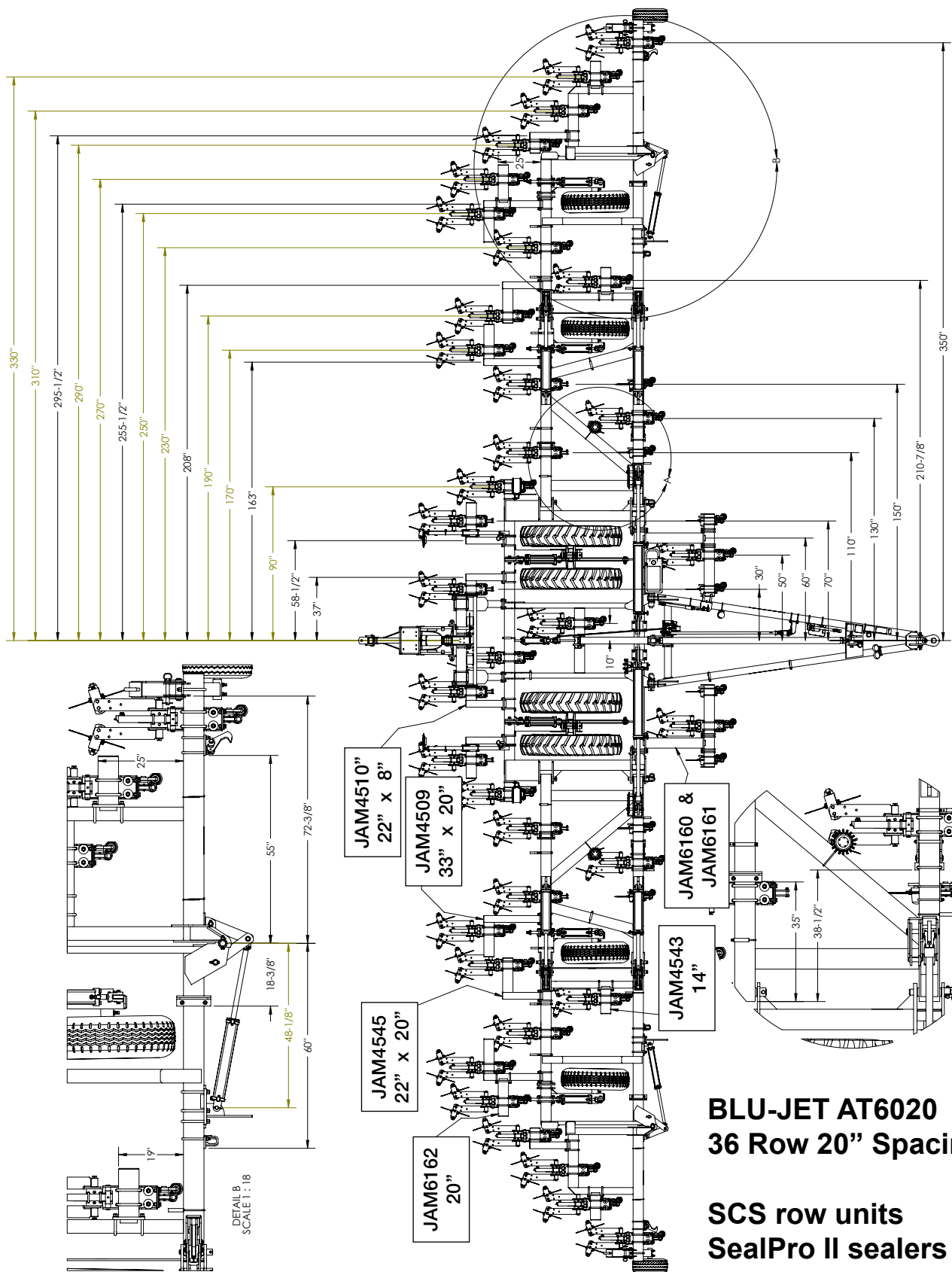
Overhead Layout - AT6020 - 36 Row 20" Spacing



**BLU-JET AT6020
36 Row 20" Spacing**

**MaxPac row units
SealPro II sealers**

Overhead Layout - AT6020 - 36 Row 20" Spacing



**BLU-JET AT6020
36 Row 20" Spacing**

**SCS row units
SealPro II sealers**

Notes

SECTION III

Operation

Preparing Tractor	3-2
Preparing Applicator.....	3-2
Hardware.....	3-2
Pivot Pins	3-2
Hitch	3-2
Hydraulic System.....	3-2
Tires/Wheels.....	3-3
Lubrication	3-3
Hitching to the Tractor.....	3-4
Drawbar Hitching.....	3-4
Transport Chain	3-5
Hydraulic Connections.....	3-6
Electrical Connection	3-6
Jack Usage.....	3-7
Parked Position.....	3-7
Transport Position	3-7
Transporting	3-8
Drawbar Connection	3-8
Toolbar Operation.....	3-9
Leveling Machine.....	3-9
Leveling Adjustable Gauge Wheels.....	3-10
Swing Adjust Gauge Wheels	3-11
Depth Adjustment	3-12
Locking Depth Adjustment Linkage.....	3-12
Folding Toolbar.....	3-13
Secondary Wing Latch.....	3-14
Hydraulic System Charging.....	3-14
Nurse Tank Hitch.....	3-15
Anhydrous Ammonia Operating Instructions	3-16
Checking System.....	3-17
Connecting Nurse Tank	3-17
Disconnecting Nurse Tank	3-18
Clean Water Tank	3-19
DiscCover Sealer (Options).....	3-19
Torsion Arm Basket (Options).....	3-19
SuperShooter (Options)	3-20
MaxPac AR700 (Options)	3-20
Residue Manager (Options).....	3-20
Operational Guide For Various Residue Situations.....	3-21

Preparing Tractor

Before operating applicator, read the tractor operator's manual and gain an understanding of its safe methods of operation.

Check the tractor brakes and transport lights. Make sure they are in proper working order.

Check the tractor hydraulic oil reservoir and add oil if needed.

Verify that the tractor is adequately ballasted for drawbar operation at the anticipated draft and vertical tongue load. Vertical tongue load of a loaded applicator is approximately 8,500 lbs. unfolded (4800 lbs. with toolbars folded to transport position). Ensure that the tractor's drawbar has sufficient strength to support this load.

If possible, adjust the tractor drawbar vertically so the top side of the drawbar is at least 18 inches from the ground. Alternately, the applicator hitch may be adjusted vertically by choosing other mounting holes provided.

Raise and secure all tractor 3-point hitch linkage to prevent interference with the implement tongue and hydraulic hoses during turning.

Preparing Applicator

Perform the service checks as outlined. Repair or replace any damaged or worn parts before operating.

Hardware

Check for loose bolts and nuts, and tighten as needed. Check again after the first half-day of operation.

Pivot Pins

Check that all pins are in place and in good condition. Replace any worn, damaged or missing pins.

Hitch

Check hitch and hitch retention hardware for damage and wear.

Hydraulic System

Check all hoses and cylinders for signs of leakage. Hoses should not be kinked, twisted or rubbing against sharp edges. Re-route or repair hoses as necessary. Refer to SAFETY section for additional information on safe repair and inspection of hydraulic components.

Preparing Applicator (continued)

Tires/Wheels

Check tire pressures and maintain at recommended values listed in the MAINTENANCE section.

CAUTION

- **IMPROPERLY TORQUED WHEEL NUTS/BOLTS CAN CAUSE A LOSS OF IMPLEMENT CONTROL AND MACHINE DAMAGE. WHEEL NUTS/BOLTS MUST BE CHECKED REGULARLY. SEE TORQUE PAGE IN THE “MAINTENANCE” SECTION FOR PROPER WHEEL NUT/BOLT SPECIFICATIONS. WARRANTY DOES NOT COVER FAILURES CAUSED BY IMPROPERLY TORQUED WHEEL NUTS/BOLTS.**

IMPORTANT

- *Installing wheels without the proper inset could result in hub or spindle failure. This will cause substantial damage to the applicator.*

For questions regarding new tire warranty, please contact your local original equipment tire dealer. Used tires carry no warranty. Tire manufacturers' phone numbers and web sites are listed in the “MAINTENANCE” section for your convenience.

Lubrication

Lubricate the applicator as outlined in the MAINTENANCE section.

Hitching to the Tractor

Drawbar Hitching

WARNING

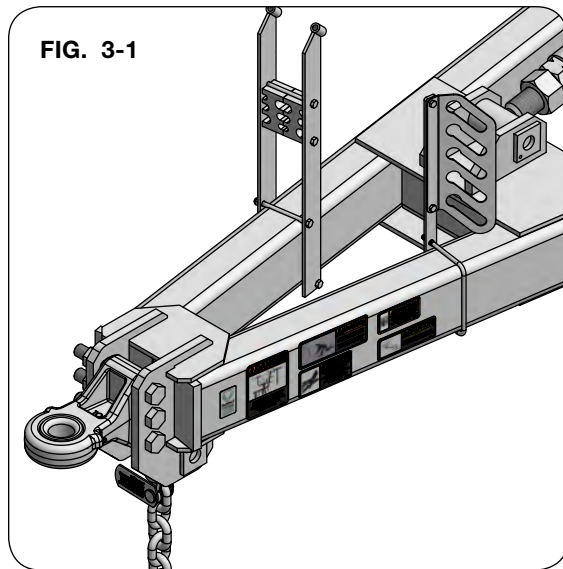
- **DO NOT STAND BETWEEN THE IMPLEMENT AND TRACTOR WHEN HITCHING. ALWAYS ENGAGE PARKING BRAKE AND STOP ENGINE BEFORE INSERTING HITCH PIN.**

Connect the hitch to the tractor drawbar. Do not attempt to hitch to any other location on the tractor. (FIG. 3-1)

NOTE: Only use the centered position on the tractor drawbar.

The implement is equipped with a single-tang ball swivel hitch (JAP3232) and requires a 2" diameter drawbar pin. Clevis hitch (JAM2144) requires a 1 1/4" diameter drawbar pin.

FIG. 3-1



IMPORTANT

- *The use of a smaller-diameter hitch pin will result in additional clearance between the implement hitch and pin. This additional clearance may cause accelerated pin and hitch wear, along with more pronounced jolting from the implement during operation.*

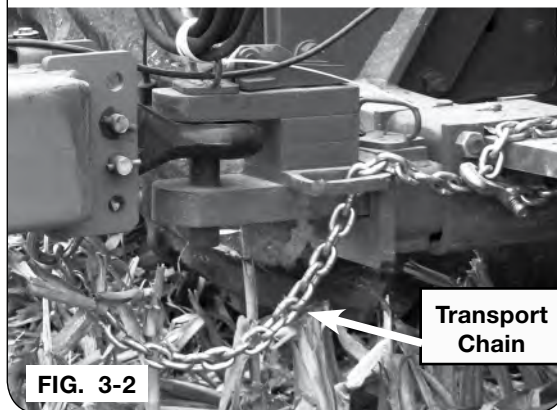
Hitching to the Tractor (continued)

Transport Chain

Always use a transport chain when connecting the implement directly to a tractor. Make sure the intermediate chain support is in use. **DO NOT** use the intermediate chain support as the chain attaching point. FIG. 3-2 shows how the transport chain must be installed between the tractor and implement.

Transport chain should have a minimum rating equal to the gross weight of the implement and all attachments. Use only ASABE approved chain. Allow no more slack in the chain than necessary to permit turning.

Transport chain connection shown for illustration purposes only. Refer to tractor manufacturer for proper attachment.



CAUTION

- **REPLACE TRANSPORT CHAIN IF ANY LINK OR END FITTING IS BROKEN, STRETCHED OR DAMAGED. DO NOT WELD TRANSPORT CHAIN.**

Hitching to the Tractor (continued)

Hydraulic Connections

After cleaning hydraulic hose couplers, connect to tractor hydraulic circuits.

CAUTION

- DO NOT UNFOLD OR FOLD TOOLBAR WITHOUT HITCHING TO THE TRACTOR.

1. Connect the toolbar hydraulic hoses to the tractor remote couplers. The 1/2" hoses supply oil to the toolbar lift cylinders. The 3/8" hoses supply oil to the wing fold cylinders.

NOTE: Always connect the hoses so the toolbar raises when the tractor remote control lever is moved rearward and lowers when the lever is moved forward.

Refer to the MAINTENANCE SECTION for flow diverter valve setup information.

Before disconnecting hoses from the tractor, relieve pressure from the lines. See tractor's operators manual for proper procedure to relieve pressure.

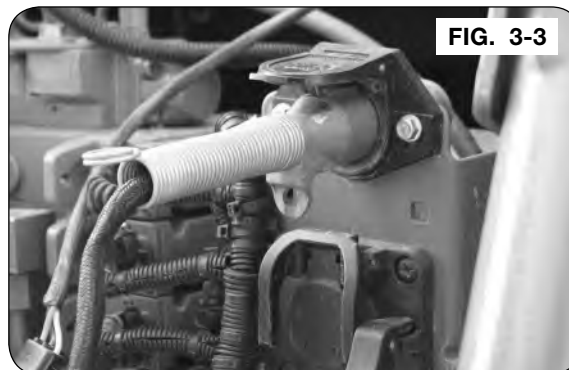
WARNING

- AFTER INITIAL SET-UP OR REPLACEMENT OF ANY HYDRAULIC COMPONENT ON THE APPLICATOR, AIR MUST BE REMOVED FROM THE WING-FOLD HYDRAULIC SYSTEM PRIOR TO ITS FIRST USE. FAILURE TO DO SO MAY RESULT IN DAMAGE TO TOOLBAR COMPONENTS DUE TO RAPID MOVEMENT.

Electrical Connection

The main harness has a 7-pin (round) plug conforming to SAE standards that connects to tractor. If your tractor does not have the mating socket connector, contact your tractor dealer. (FIG. 3-3)

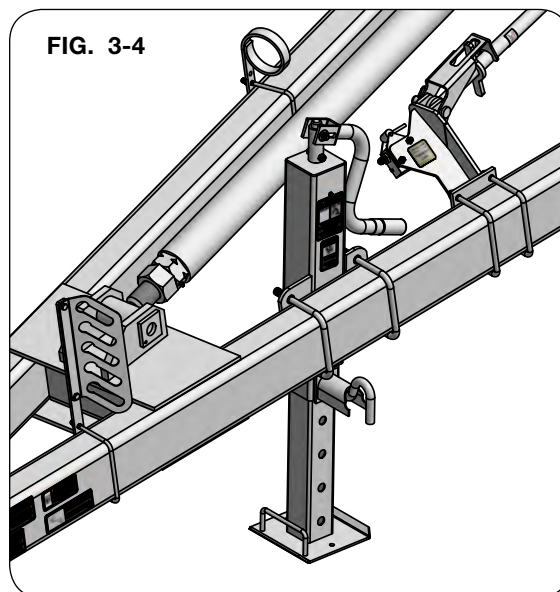
The wiring schematic for this applicator, as shown in the maintenance section, complies with current ASABE standards. Always verify correct electrical function before using this applicator.



Jack Usage

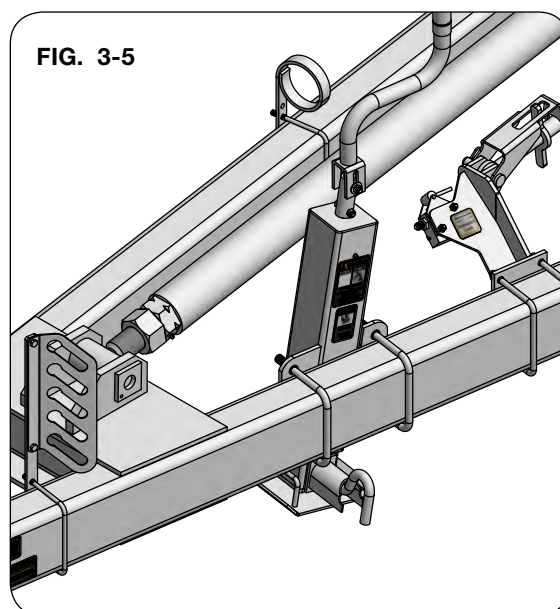
Parked Position

Lower drop leg to contact the ground. Crank jack leg downward to completely remove the hitch weight from tractor drawbar. (FIG. 3-4)



Transport Position

After tractor connection is established, raise jack leg to highest position to maximize ground clearance. (FIG. 3-5)



Transporting

Drawbar Connection

CAUTION

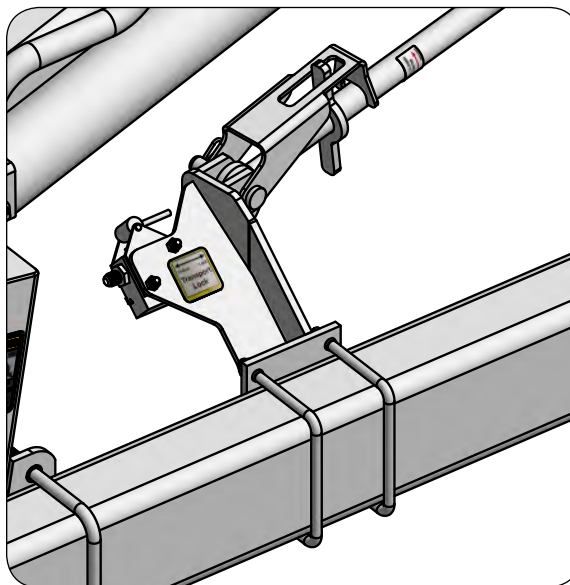
- **THIS IMPLEMENT IS NOT EQUIPPED WITH BRAKES. ENSURE THAT THE TOWING VEHICLE HAS ADEQUATE WEIGHT AND BRAKING CAPACITY TO TOW THIS IMPLEMENT.**
- **IMMEDIATELY PRIOR TO ROAD TRANSPORT, RUN THE FULL FOLD SEQUENCE FOR PROPER SYSTEM PRESSURES AND TO AVOID INADVERTENT MOVEMENT.**

See towing vehicle manual for towing and braking capacity. Regulate speed to road conditions. Maximum speed of applicator with wheels should never exceed 20 m.p.h.

Secure drawbar pin with a locking device and lock tractor drawbar in centered position.

Secure transport chain to tractor before transporting. Use good judgment when transporting equipment on highways. Regulate speed to road conditions and maintain complete control.

Lock fold hydraulics to prevent inadvertent operation during transport.



It is probable that this implement is taller, wider, and longer than the towing tractor. Become aware of and avoid all obstacles and hazards in the travel path of the equipment, such as power lines, ditches, etc.

Slow down before making sharp turns to avoid tipping. Drive slowly over rough ground and side slopes.

Toolbar Operation

DANGER

- ELECTROCUTION WILL CAUSE SERIOUS INJURY OR DEATH. PERFORM FRAME UNFOLDING AND FOLDING OPERATIONS ONLY IN AREAS WITH ADEQUATE HEIGHT, WIDTH AND LENGTH CLEARANCE. IN PARTICULAR, BE MINDFUL OF LOCATION OF OVERHEAD POWER LINES.

WARNING

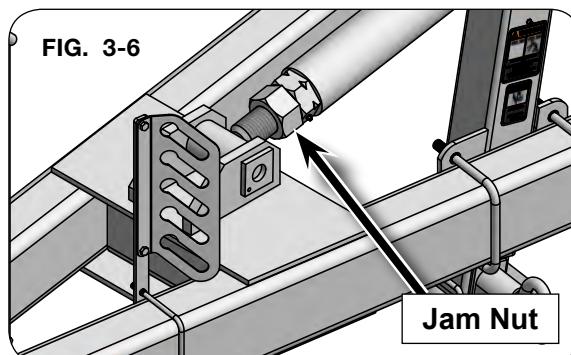
- KEEP ALL PERSONNEL A SAFE DISTANCE AWAY FROM THE IMPLEMENT WHEN UNFOLDING OR FOLDING THE TOOLBAR. PERSONAL INJURY CAN RESULT FROM IMPACT WITH FRAME.
- DO NOT EXCEED 10 MPH DURING OFF-HIGHWAY TRAVEL.

Leveling Machine

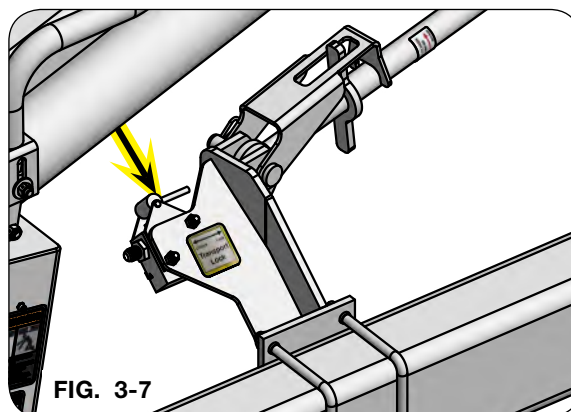
IMPORTANT

- *Never unfold the unit without attaching to tractor first. Refer to “Hitching to the Tractor” and “Jack Usage” in this section.*
1. Before leveling the machine the tire pressure should be checked. Inflate center section lugged tractor tires to 51 PSI maximum; truck tires 95 PSI maximum.

Before beginning operation of this machine the main frame must be level. Place toolbar on level surface. Use the turnbuckle wrench to loosen the lower turnbuckle jam nut. Adjust turnbuckle with wrench until the main frame is level front to back. After making the necessary adjustment, lock turnbuckle with jam nut.



2. Unlock transport lock before unfolding toolbar.



Toolbar Operation (continued)

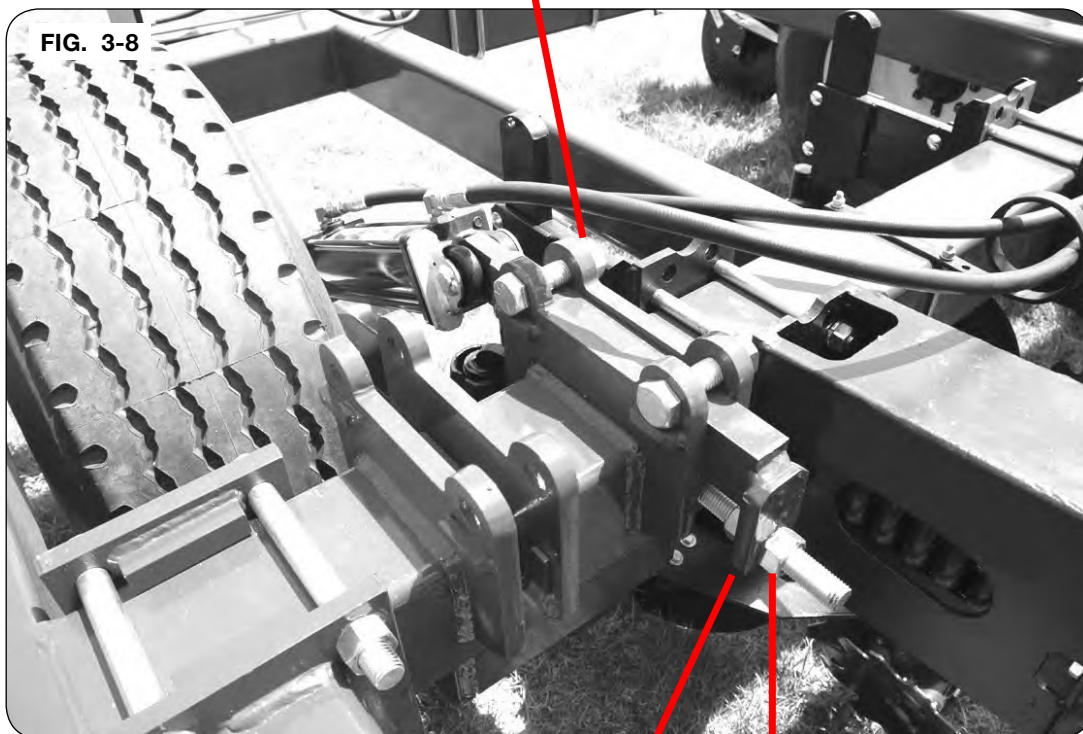
Leveling Adjustable Gauge Wheels

NOTE: Adjust until toolbar is level across the entire bar

1. Check tire pressure before adjusting. Loosen the two 1" x 4" hex bolts at the top of the adjust linkage. Loosen 1" hex nut on inside of threaded rod. Turn 1" hex nut on outside clockwise to lower wing and counter clockwise to raise wing. Secure both nuts on threaded rod against cylinder lug adjust. Tighten 1" x 4" hex cap screws after wheel adjustment.

NOTE: Coulter will require final working depth adjustment in the field.

Tighten one inch hex nuts after wheel adjustment.



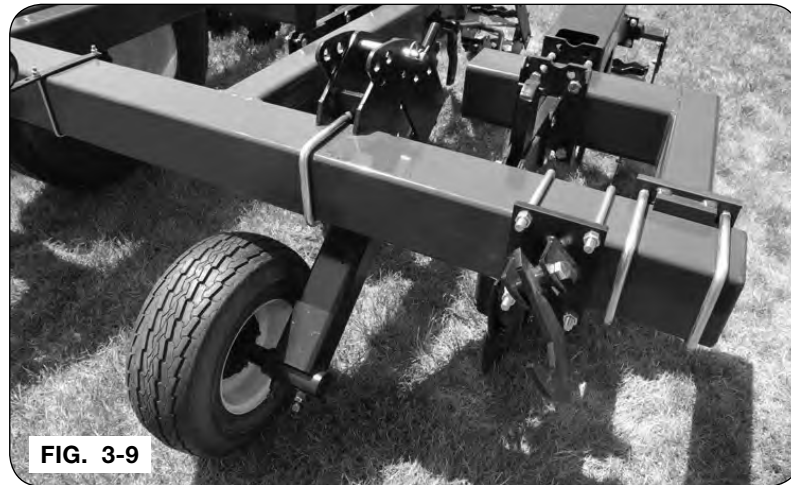
Cylinder lug adjust

One inch hex nut

Toolbar Operation (continued)

Swing Adjust Gauge Wheels

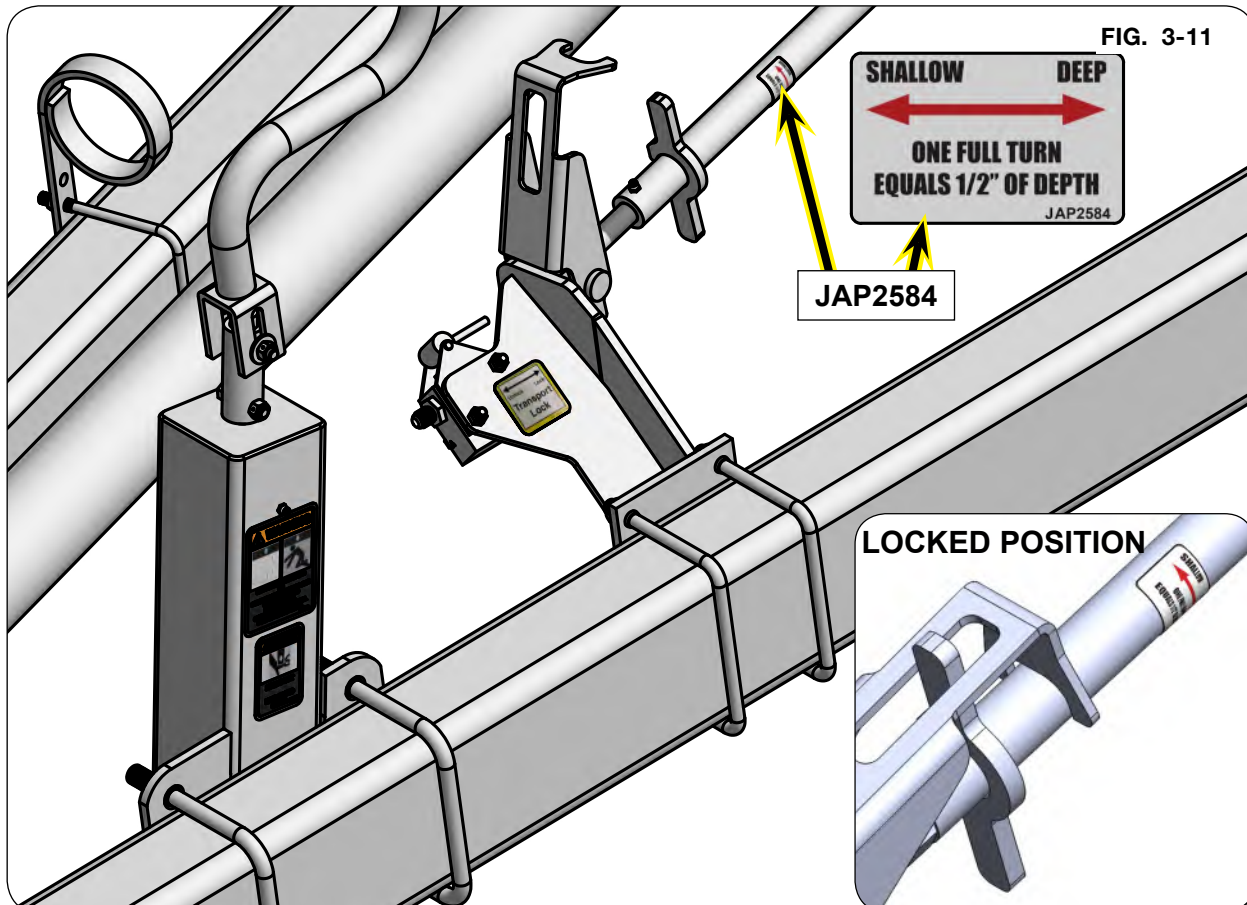
1. Adjust pin adjust gauge wheel to level position with the hydraulic gauge wheel.



Toolbar Operation (continued)

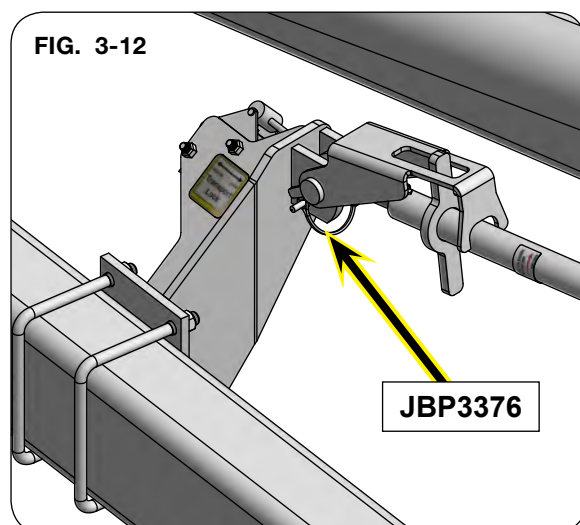
Depth Adjustment

1. One complete revolution equals 1/2" of depth increase or decrease.



Locking Depth Adjustment Linkage

1. Rotate depth control adjuster latch over handle and lock in place with 1/4" x 2" lynch pin (JBP3376).



Hydraulic System Charging

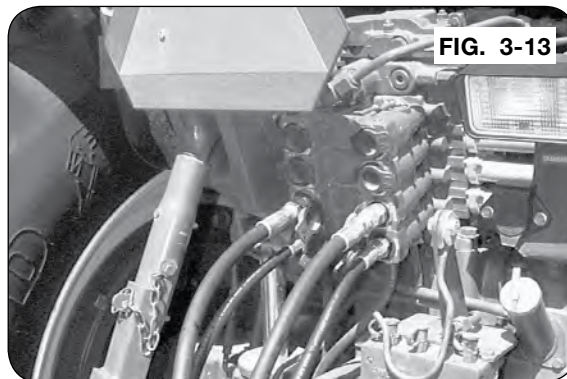
WARNING

- ALWAYS RELIEVE HYDRAULIC SYSTEM PRESSURE BEFORE DISCONNECTING HOSES FROM TRACTOR OR SERVICING HYDRAULIC SYSTEM. SEE TRACTOR OPERATOR'S MANUAL FOR PROPER PROCEDURES.
- HYDRAULIC SYSTEM MUST BE PURGED OF AIR BEFORE OPERATING TO PREVENT SERIOUS INJURY OR DEATH.
- HIGH-PRESSURE FLUIDS CAN PENETRATE THE SKIN AND CAUSE SERIOUS INJURY OR DEATH. USE CARDBOARD OR WOOD TO DETECT LEAKS IN THE HYDRAULIC SYSTEM. SEEK MEDICAL TREATMENT IMMEDIATELY IF INJURED BY HIGH-PRESSURE FLUIDS.

NOTE: Refer to SETUP section for purging process.

Connecting Hydraulic Hoses to Tractor

1. Connect the hydraulic hoses to the tractor remote couplers. The 1/2" hoses supply oil to the wheel lift cylinders. The 3/8" hoses supply oil to the wing cylinders. Mark hose pairs with paint or tape. Mark hoses so that they are plugged in correctly each time.
2. Hook implement to tractor. Connect the hydraulic lines to tractor ports.



GENERIC EXAMPLE

Folding Toolbar

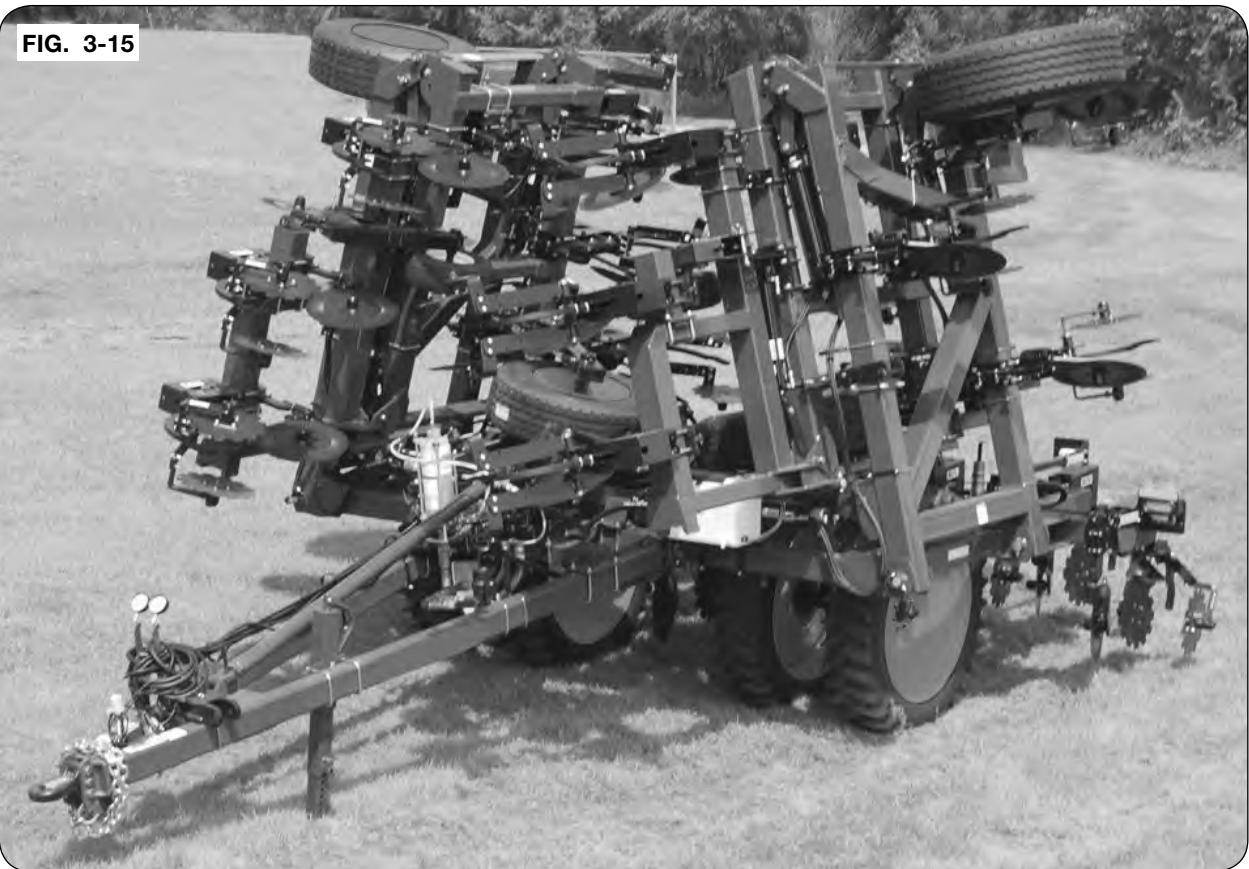
NOTE: Always fold and unfold with the applicator in the fully raised position.

1. Fold slowly! Check hoses, fittings and row mountings for folding interference or leaks.

FIG. 3-14



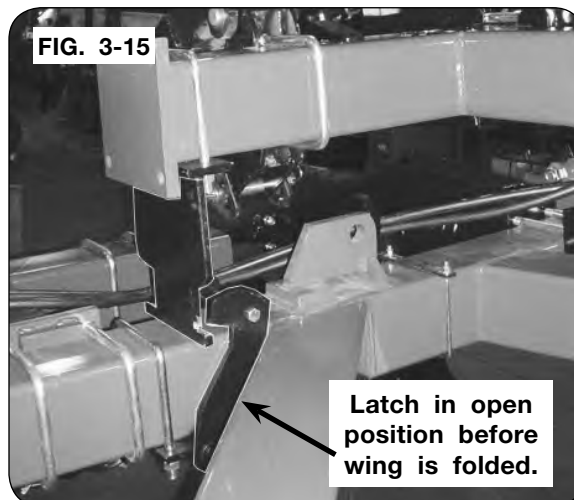
FIG. 3-15



Secondary Wing Latch

1. Mechanism must swing freely in order to operate properly. Installed position must be squared with frame to allow maximum freedom of movement. Keep soil and debris from area to allow maximum movement.

NOTE: After seasonal storage, check wing latch for freedom of movement.



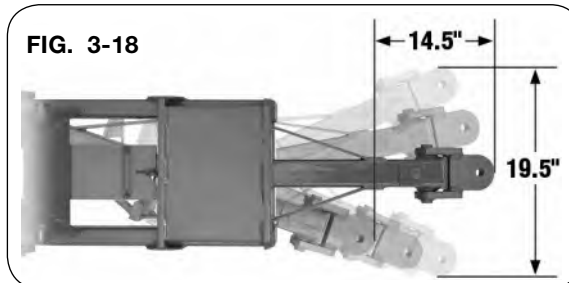
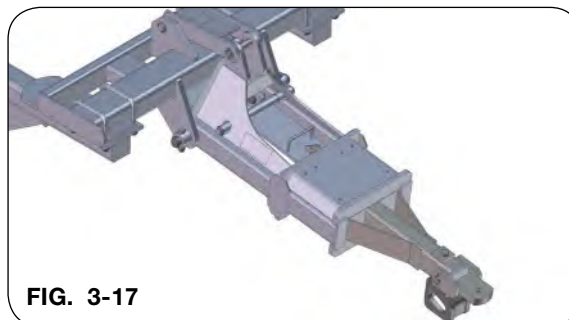
Nurse Tank Hitch

NOTE: This nurse tank hitch has a towing capacity of 25,000 lbs. gross vehicle weight.

1. Nurse tank hitch can be retracted and moved from side to side for easy hookup. Hitch will automatically lock in the extended position.

NOTE: Periodically check latch mechanism to ensure proper latching in the extended position.

2. Mechanism must swing freely in order to operate properly. Installed position must be squared with frame to allow maximum freedom of movement. Keep soil and debris from area to allow maximum movement.



Anhydrous Ammonia Operating Instructions

DANGER

- EXPOSURE TO ANHYDROUS AMMONIA (NH₃) WILL CAUSE SERIOUS INJURY OR DEATH.
 - AVOID BREATHING NH₃ VAPORS. ALWAYS REMAIN UPWIND WHEN WORKING ON NH₃ SYSTEM.
 - IMMEDIATELY FLUSH EXPOSED AREAS WITH CLEAN WATER AND SEEK MEDICAL TREATMENT.
 - ALWAYS WEAR PERSONAL PROTECTIVE EQUIPMENT (PPE) WHEN WORKING WITH OR NEAR NH₃. THIS INCLUDES BUT IS NOT LIMITED TO APPROPRIATE GAUNTLET STYLE GLOVES, INDIRECT VENT CHEMICAL SPLASH GOGGLES, SHOES, SOCKS, LONG SLEEVED SHIRT AND LONG PANTS.

- EXPOSURE TO ANHYDROUS AMMONIA (NH₃) WILL CAUSE SERIOUS INJURY OR DEATH. ONLY OPEN A NURSE TANK VALVE DURING APPLICATION. DO NOT TRANSPORT, PARK, OR LEAVE THE APPLICATOR UNATTENDED WITH THE VALVE OPEN.

WARNING

- POSITION YOUR BODY AWAY FROM THE BLEED VALVE EXIT HOLE TO AVOID CONTACT WITH ANHYDROUS AMMONIA WHEN BLEED VALVE IS OPENED. CONTACT WITH EYES AND SKIN WILL CAUSE SEVERE CHEMICAL BURNS.

- AVOID BREATHING AMMONIA VAPORS. CLEAR ALL PERSONNEL FROM THE AREA BEFORE OPENING SYSTEM. INHALATION OF VAPORS WILL IRRITATE OR DAMAGE RESPIRATORY TRACT AND LUNGS, RESULTING IN INJURY OR DEATH.

IMPORTANT

- *Attend Anhydrous Ammonia Safety Training Class Before Operating This Equipment.*

NOTE: In case of exposure, have a minimum of 5 gallons of flushing water available at all times.

Anhydrous Ammonia Operating Instructions (continued)

Checking System

With personal protective equipment in place, visually inspect the toolbar and system components for integrity, includes hoses that may be subject to inadvertent contact with structural surfaces resulting in premature exterior hose deterioration.

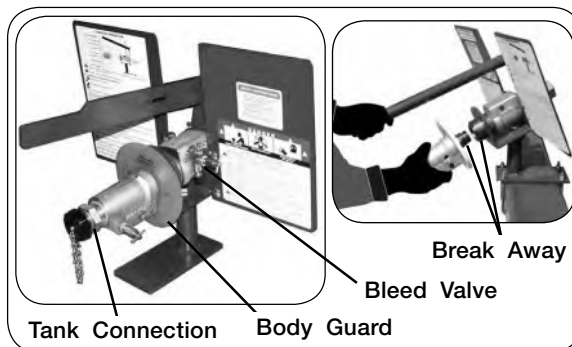
Connecting Nurse Tank

NOTE: See “Coupler Operations” in MAINTENANCE section for instructions.

Hitch the nurse tank to the applicator using a hitch pin with safety lock. Attach the wagon tongue transport chains to the hitch at the provided chain loops.

When coupling a nurse tank and supply line hose to the applicator for the first time, perform a test turn in both directions with the tank valve closed to verify sufficient slack in the hose allowing free articulation. Do not allow hose to contact the wagon tongue or any other components during movement.

When ready to begin application, with PPE in place and standing upwind, slowly open supply line valves.



Orifice Block Setting

To minimize the amount of ammonia going out the dump lines, follow the chart below to determine the dump orifice hose barb to use and install. The chart is based on GPM, gallons per minute. Use the formula below to determine your GPM then refer to the chart for the recommended dump orifice hose barb needed for your application.

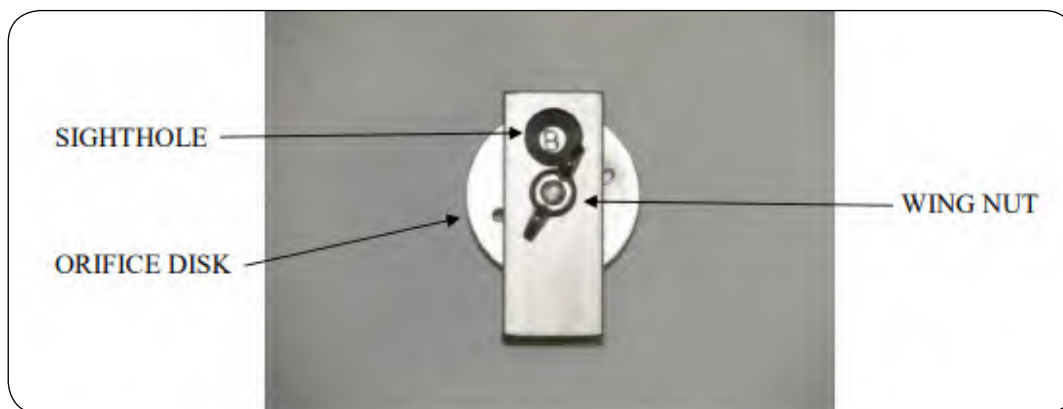
Toolbar width in feet X speed X actual lbs. N per acre X .1212 ÷ .82 ÷ 5.14 ÷ 60 = GPM

1-10 GPM	11-20 GPM	21 and UP GPM	N-Serve Users
A	B	C	D

NOTE: “D” orifice is only for users having problems with N-serve plugging up the heat exchanger.

TIP: If you find that your rate does not balance out, try changing the orifice to the next larger size orifice.

To set or change the orifice size, loosen the wing nut slightly, then turn the orifice disk to the desired orifice letter by looking into the sight hole then tighten the wing nut firmly.



Anhydrous Ammonia Operating Instructions (continued)

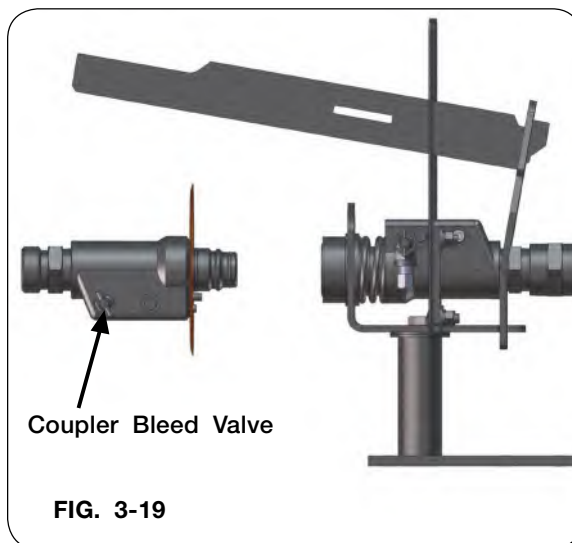
Disconnecting Nurse Tank

DANGER

- EXPOSURE TO ANHYDROUS AMMONIA (NH₃) WILL CAUSE SERIOUS INJURY OR DEATH.
 - AVOID BREATHING NH₃ VAPORS. ALWAYS REMAIN UPWIND WHEN WORKING ON NH₃ SYSTEM.
 - IMMEDIATELY FLUSH EXPOSED AREAS WITH CLEAN WATER AND SEEK MEDICAL TREATMENT.
 - ALWAYS WEAR PERSONAL PROTECTIVE EQUIPMENT (PPE) WHEN WORKING WITH OR NEAR NH₃. THIS INCLUDES BUT IS NOT LIMITED TO APPROPRIATE GAUNTLET STYLE GLOVES, INDIRECT VENT CHEMICAL SPLASH GOGGLES, SHOES, SOCKS, LONG SLEEVED SHIRT AND LONG PANTS.
-
- EXPOSURE TO ANHYDROUS AMMONIA (NH₃) WILL CAUSE SERIOUS INJURY OR DEATH. ONLY OPEN A NURSE TANK VALVE DURING APPLICATION. DO NOT TRANSPORT, PARK, OR LEAVE THE APPLICATOR UNATTENDED WITH THE VALVE OPEN.

CAUTION

- FIFTH WHEEL STYLE RUNNING GEAR FRONT AXLES MAY INADVERTENTLY ROTATE IN UNEVEN SOIL CONDITIONS WHEN THE HITCH PIN IS PULLED CAUSING THE TONGUE TO COME INTO CONTACT AND POTENTIALLY INJURING THE OPERATOR.
-
1. Park applicator on a firm, level surface with operating station upwind and beginning at the tank, fully close all supply hose valves.
 2. While remaining upwind, slowly open coupler bleed valve to release pressure from the coupler. (FIG. 3-19)
 3. Once pressure is completely bled, disconnect supply hose. Store hose safely to protect hose from damage during transport.
 4. Block the wheels on nurse tank wagon and disconnect from applicator hitch.



Clean Water Tank

Change water daily to provide fresh clean water to flush exposed skin or eyes. Drain water daily in cold temperatures to prevent freezing and bursting tank.

In case of exposure to anhydrous ammonia, open faucet or pull top end of hose loose to flush exposed part of body. Remove contaminated clothes as soon as possible. Seek medical attention.

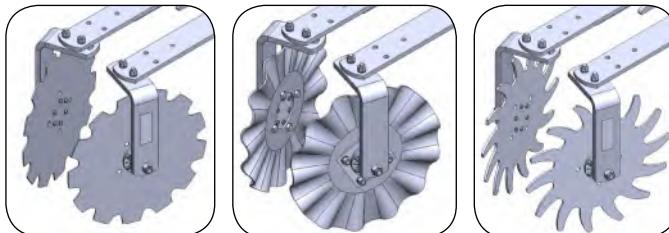
NOTE: Clean Water Tank placement will depend on row spacing.

FIG. 3-22



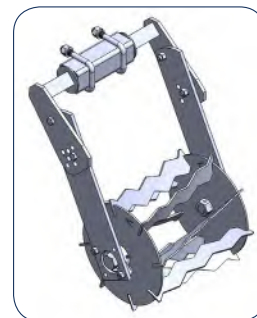
DiscCover Sealer (Options)

See manual #J04000040 for complete operating procedures.



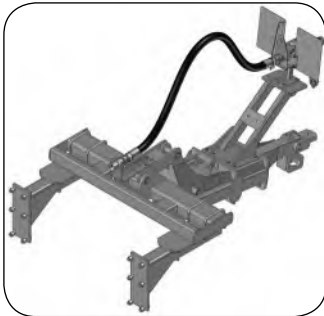
Torsion Arm Basket (Options)

See manual #J04000027 for complete operating procedures.

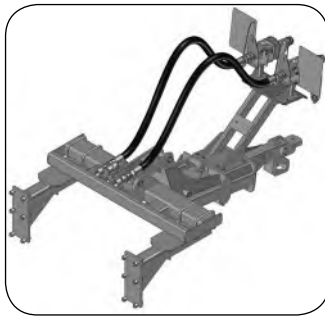


SuperShooter (Options)

See manual #J04000041 or J04000026 for complete operating procedures.



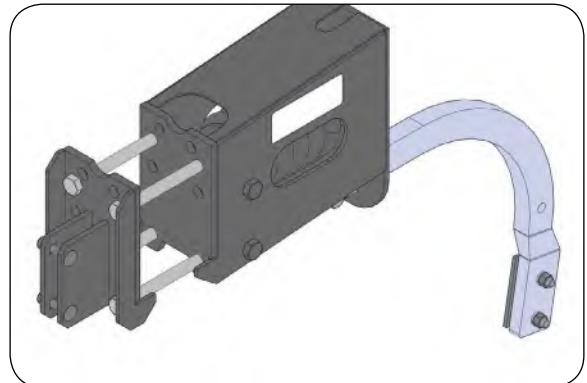
SUPERSHOOTER III
1 1/4" NPT OR 1 1/2" NPT
(MANUAL #J04000041)



SUPERSHOOTER III
COUPLER
BODYGUARD III
(MANUAL #J04000026)

MaxPac AR700 (Options)

See manual #J04000028 for complete operating procedures.



Residue Manager (Options)

See manual #J04000023 for complete operating procedures.



Operational Guide For Various Residue Situations

Coulter Blades For All Crops

- 3"-4" Deep (make sure hub is not running in the ground)
- If blades are new or being used for the first time in a season, or if residue is hair pinning, sharpening each blade will assist in cutting during the first few acres of operation. After the first few acres, blades will self-sharpen.

Beans (Soy or Pinto)

Residue Managers – Light pressure setting (particularly in light soils)

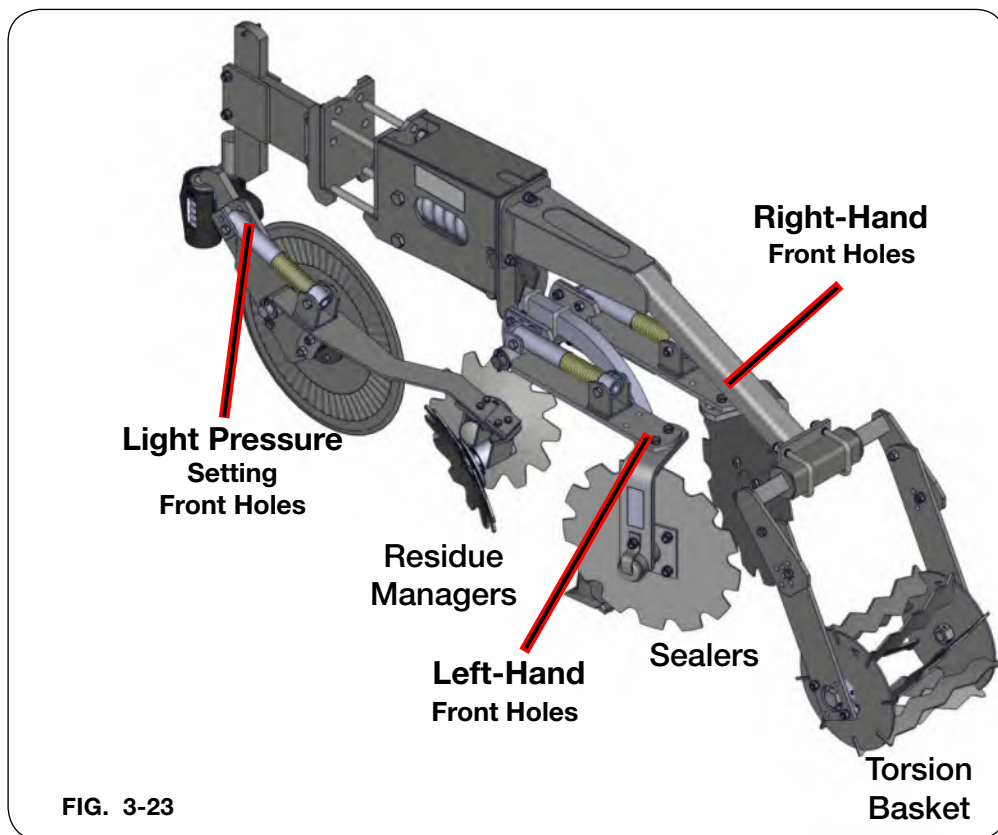
Shank Depth – Minimum 4" deep from ground level (optimum depth for fertilizer placement is 6"-8")

Sealer Blade Position – Front holes on the sealer arm

Sealer Blade Pitch – Determined by soil type and season in soybean residue

Sealer Blade Down Pressure – Determined by soil type and season in this residue

Basket Pressure – Determined by soil type and season in this residue



Operational Guide For Various Residue Situations (continued)

Corn

For best results follow these operating recommendations:

- Leaving standing stalks in the field when harvesting (about knee high) is preferable to shredding the residue
- Corn in one year rotation: Row units on the machine should be operated between last year's corn rows (split last year's rows)
- Corn in two plus years rotation: Row units on the machine should be operated 7.5" to one side of last year's corn row (RTK guidance recommended)
- Silage: Row units on the machine should be operated at least 7.5" off of any corn row where root ball masses remain mostly intact

Under 250 Bushel In One Year Corn/Bean Rotation

Residue Managers – Heavy pressure setting

Shank Depth – Minimum 4" deep from ground level (optimum depth for fertilizer placement is 6"-8")

Sealer Blade Position – Rear holes on the sealer arm

Sealer Blade Pitch – Blades should be even in pitch and backs of the blades should be at least 8" apart

Sealer Blade Down Pressure – Determined by soil type and season in this residue

Basket Pressure – Determined by soil type and season in this residue

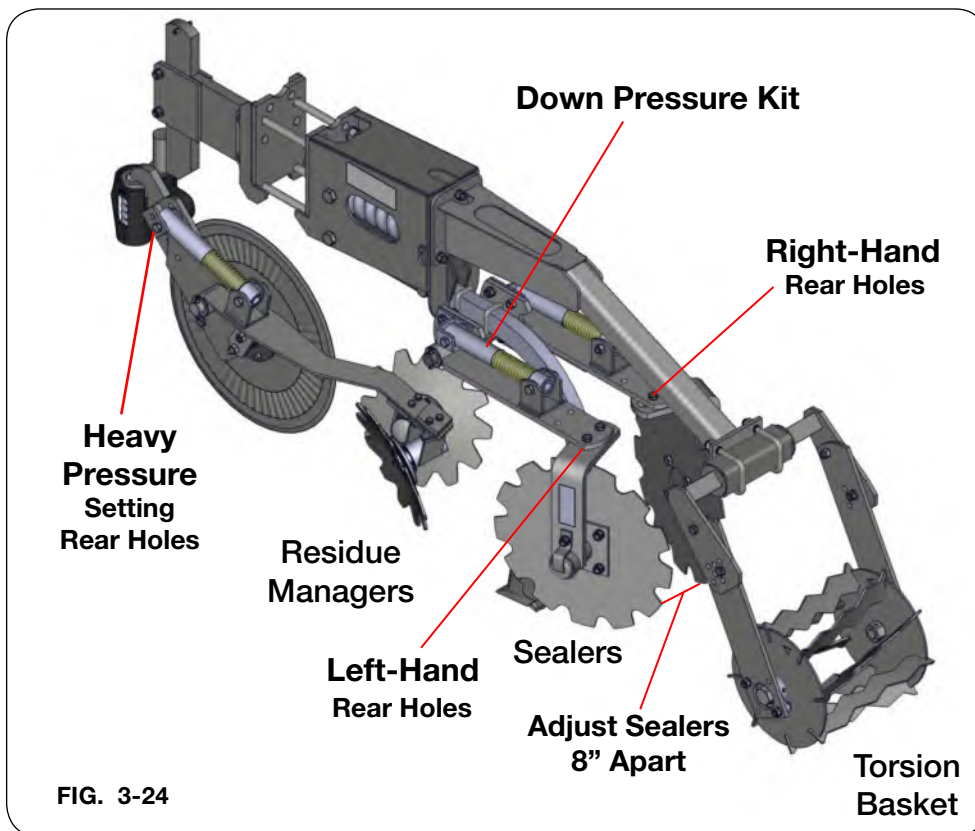


FIG. 3-24

Operational Guide For Various Residue Situations (continued)

Corn (continued)

Over 250 Bushel In One Year Corn/Bean Rotation

Residue Managers – Heavy pressure setting

Shank Depth – Minimum 4” deep from ground level (optimum depth for fertilizer placement is 6”-8”)

Sealer Blade Position – Offset (left blade in rear holes and right blade in front holes)

Sealer Blade Pitch

- Left blade should be set at nearly maximum pitch
- Right blade should be set at about half pitch when compared to the left blade

Sealer Blade Down Pressure – Down Pressure Kits are recommended for this residue situation

Basket Pressure – Running a basket is recommended for this residue situation.

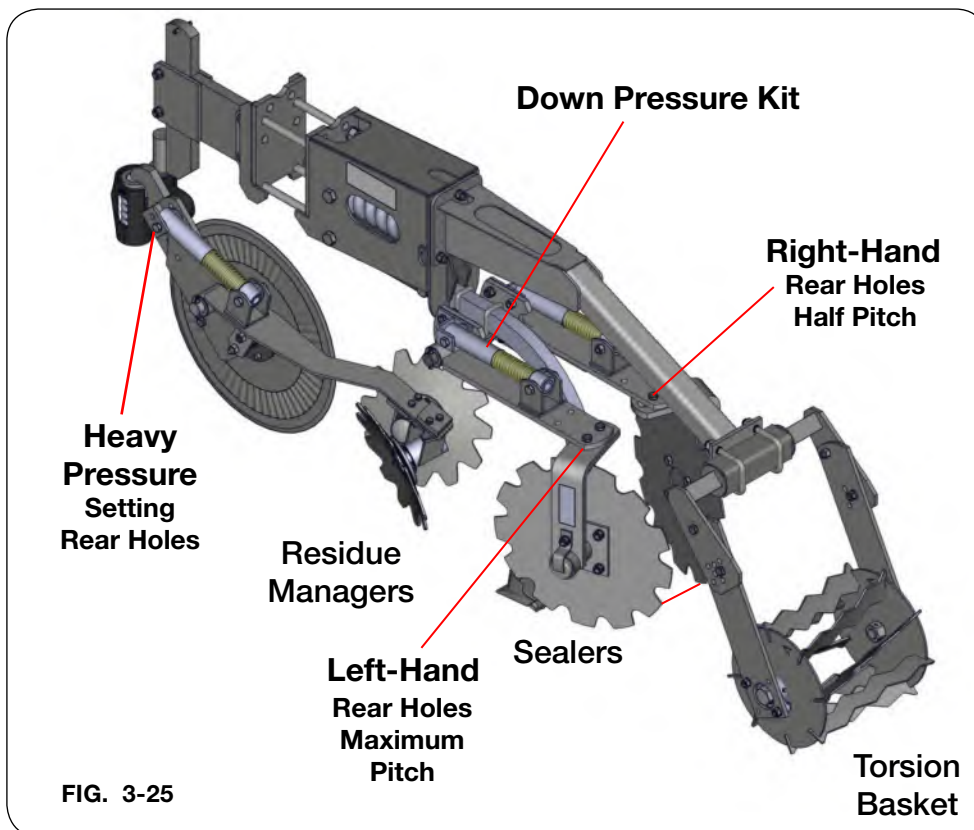


FIG. 3-25

Operational Guide For Various Residue Situations (continued)

Corn (continued)

Under 250 Bushel In 2+ Years Corn Rotation

Residue Managers – Heavy pressure setting

Shank Depth – Minimum 4" deep from ground level (optimum depth for fertilizer placement is 6"-8")

Sealer Blade Position – Rear holes on the sealer arm

Sealer Blade Pitch – Blades should be even in pitch and backs of the blades should be at least 10" apart

Sealer Blade Down Pressure – Down Pressure Kits are recommended for this residue situation

Basket Pressure – Determined by soil type and season in this residue

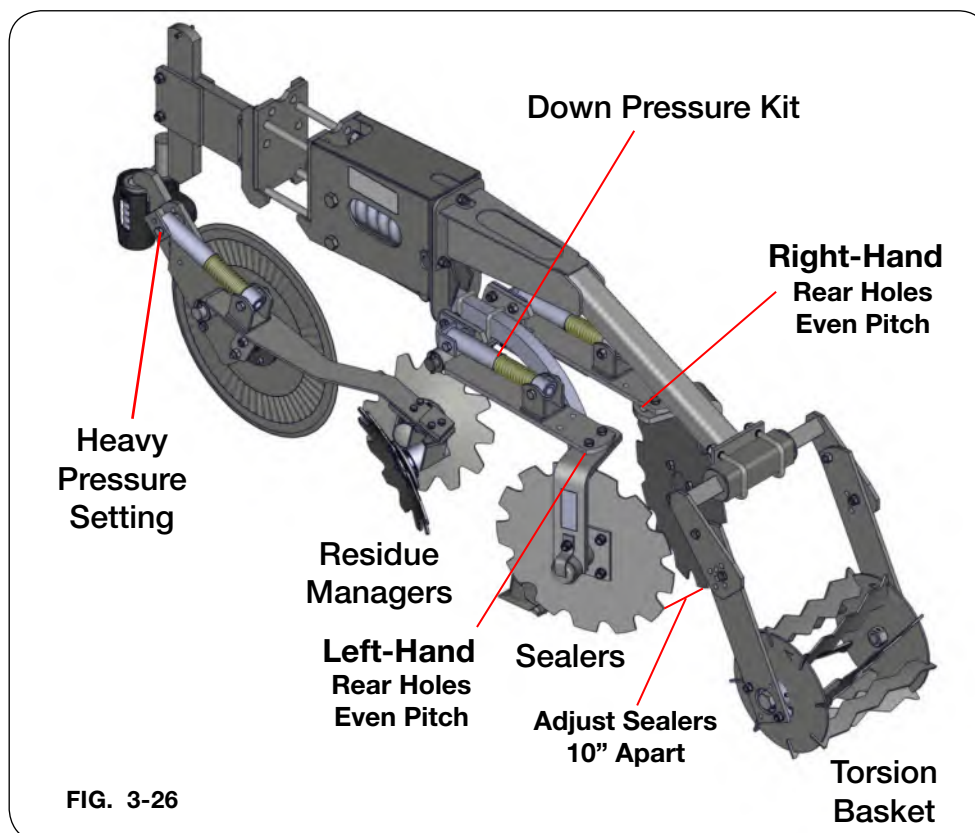


FIG. 3-26

Operational Guide For Various Residue Situations (continued)

Corn (continued)

Over 250 Bushel In 2+ Years Corn Rotation

Residue Managers – Heavy pressure setting

Shank Depth – Minimum 4” deep from ground level (optimum depth for fertilizer placement is 6”-8”)

Sealer Blade Position – Offset (left blade in rear holes and right blade in front holes)

Sealer Blade Pitch

- Left blade should be set at nearly maximum pitch
- Right blade should be set at about half pitch when compared to the left blade

Sealer Blade Down Pressure – Down Pressure Kits are recommended for this residue situation

Basket Pressure – Running a basket is recommended for this residue situation.

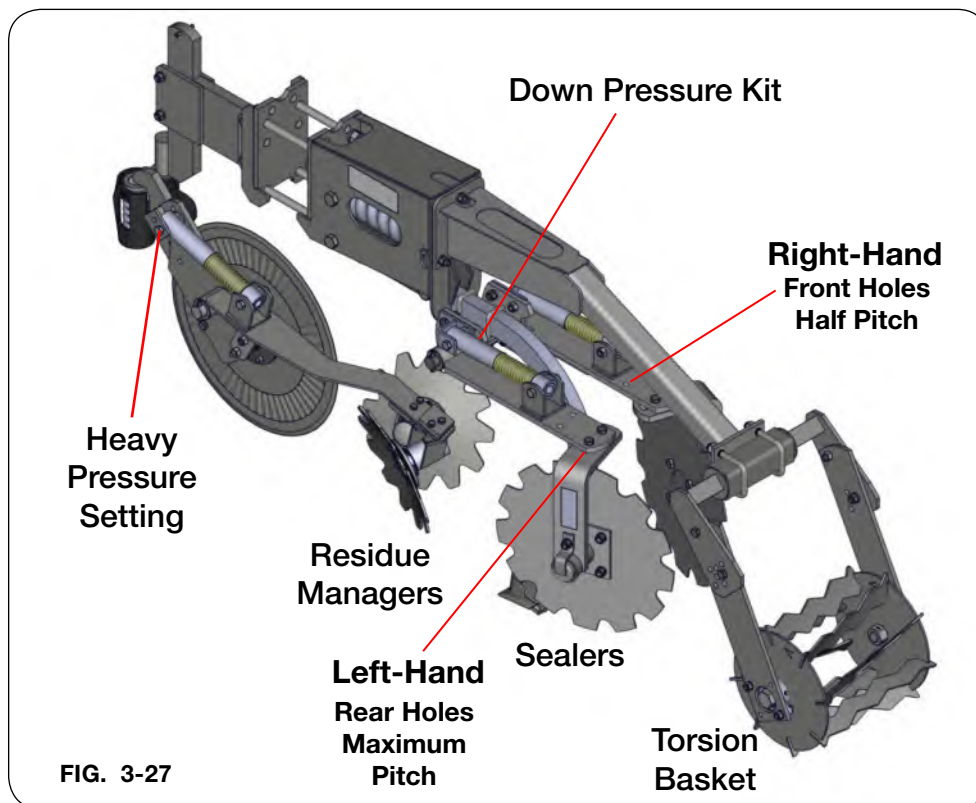


FIG. 3-27

Operational Guide For Various Residue Situations (continued)

Corn (continued)

Silage

Residue Managers – Light pressure setting (particularly in light soils)

Shank Depth – Minimum 4” deep from ground level (optimum depth for fertilizer placement is 6”-8”)

Sealer Blade Position – Front holes on the sealer arm

Sealer Blade Pitch – Determined by soil type and season in this residue

Sealer Blade Down Pressure – Determined by soil type and season in this residue

Basket Pressure – Determined by soil type and season in this residue

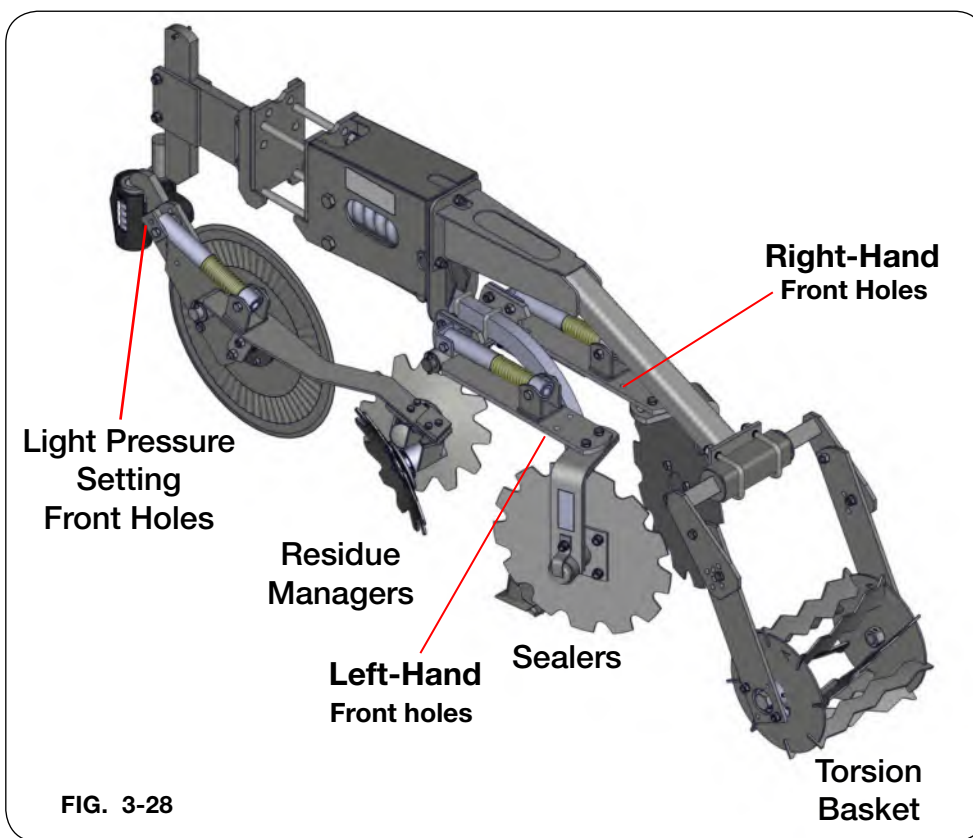


FIG. 3-28

Operational Guide For Various Residue Situations (continued)

Cover Crop (Live or Residue)

Residue Managers – Heavy pressure setting

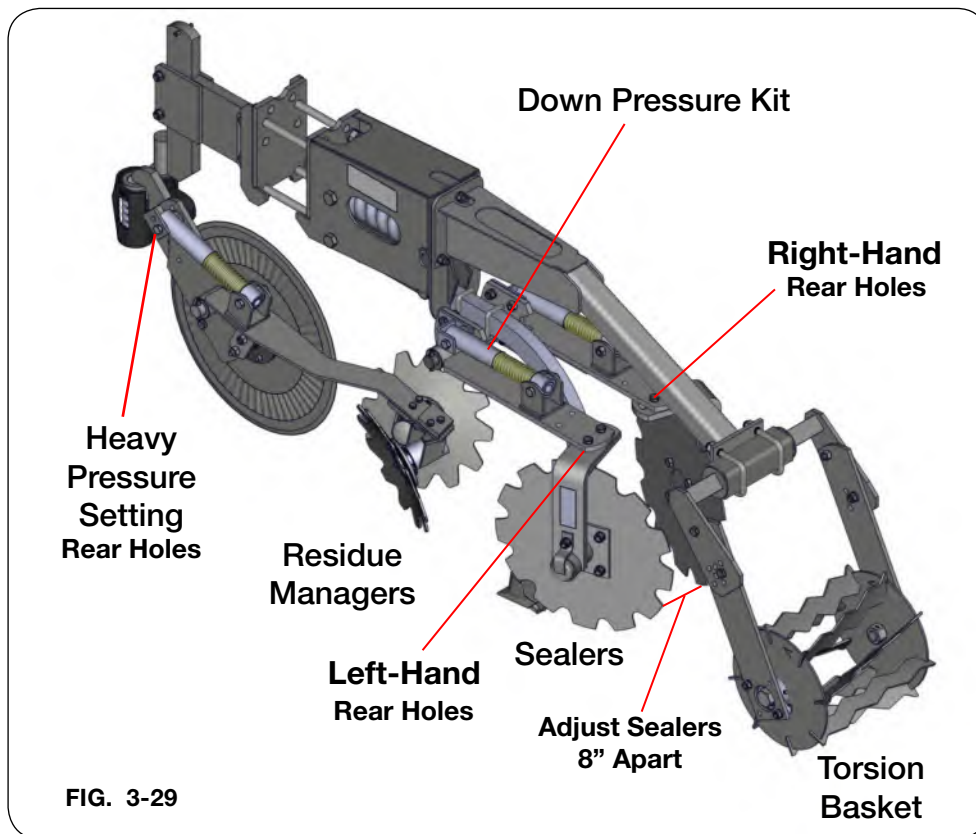
Shank Depth – Minimum 4” deep from ground level (optimum depth for fertilizer placement is 6”-8”)

Sealer Blade Position – Rear holes on the sealer arm

Sealer Blade Pitch – Blades should be even in pitch and backs of the blades should be at least 8” apart

Sealer Blade Down Pressure – Down Pressure Kit recommended in this residue situation

Basket Pressure – Determined by soil type and season in this residue



Operational Guide For Various Residue Situations (continued)

Sugar Beets

Residue Managers - Light pressure setting (particularly in light soils)

Shank Depth - Minimum 4" deep from ground level (optimum depth for fertilizer placement is 6"-8")

Sealer Blade Position - Front holes on the sealer arm

Sealer Blade Pitch - Determined by soil type and season in this residue

Sealer Blade Down Pressure - Determined by soil type and season in this residue

Basket Pressure - Determined by soil type and season in this residue

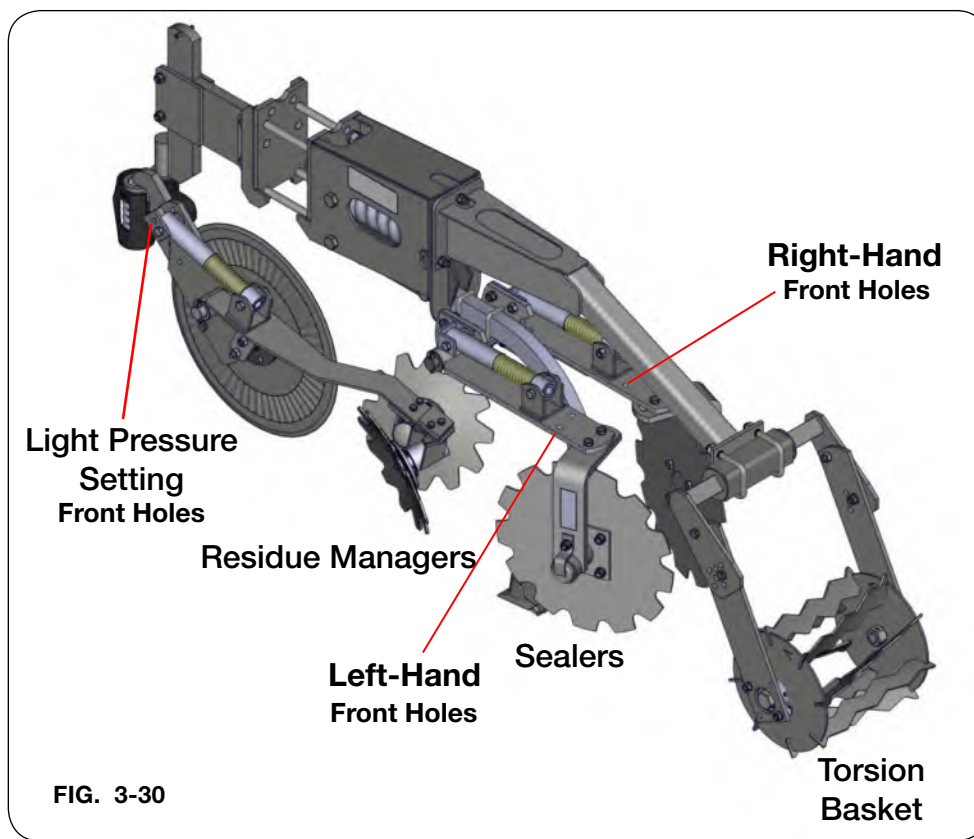


FIG. 3-30

Operational Guide For Various Residue Situations (continued)

Wheat & Other Small Grain

Residue Managers – Heavy pressure setting

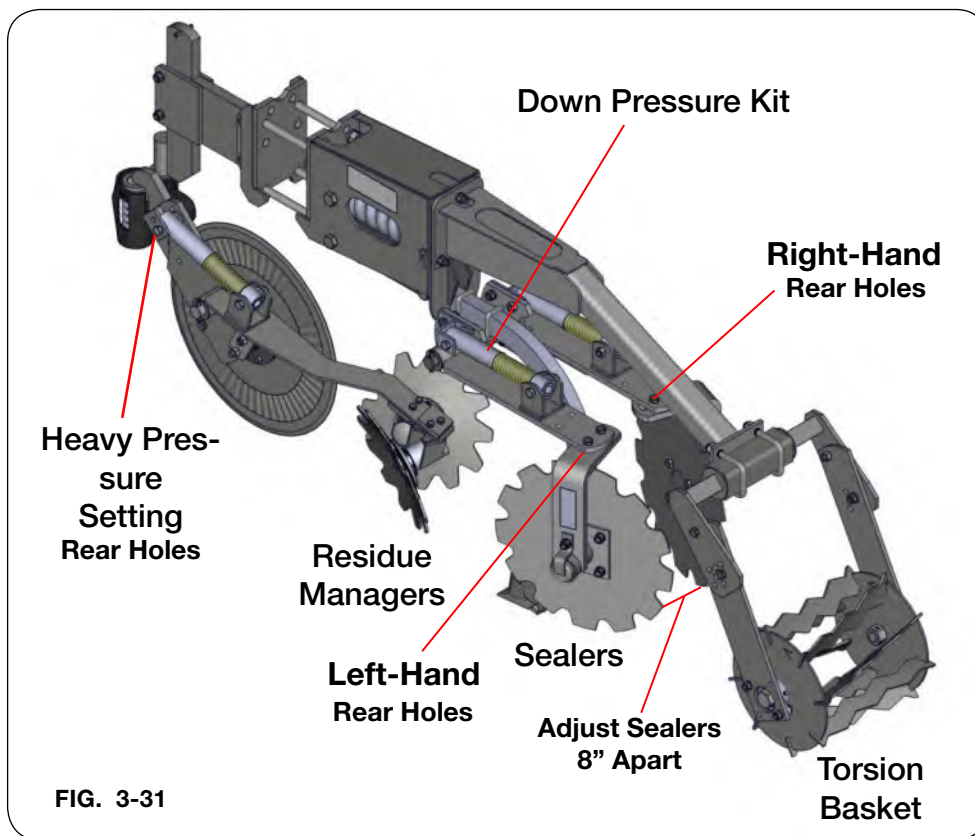
Shank Depth – Minimum 4" deep from ground level (optimum depth for fertilizer placement is 6"-8")

Sealer Blade Position – Rear holes on the sealer arm

Sealer Blade Pitch – Blades should be even in pitch and backs of the blades should be at least 8" apart

Sealer Blade Down Pressure – Down Pressure Kit recommended in this residue situation

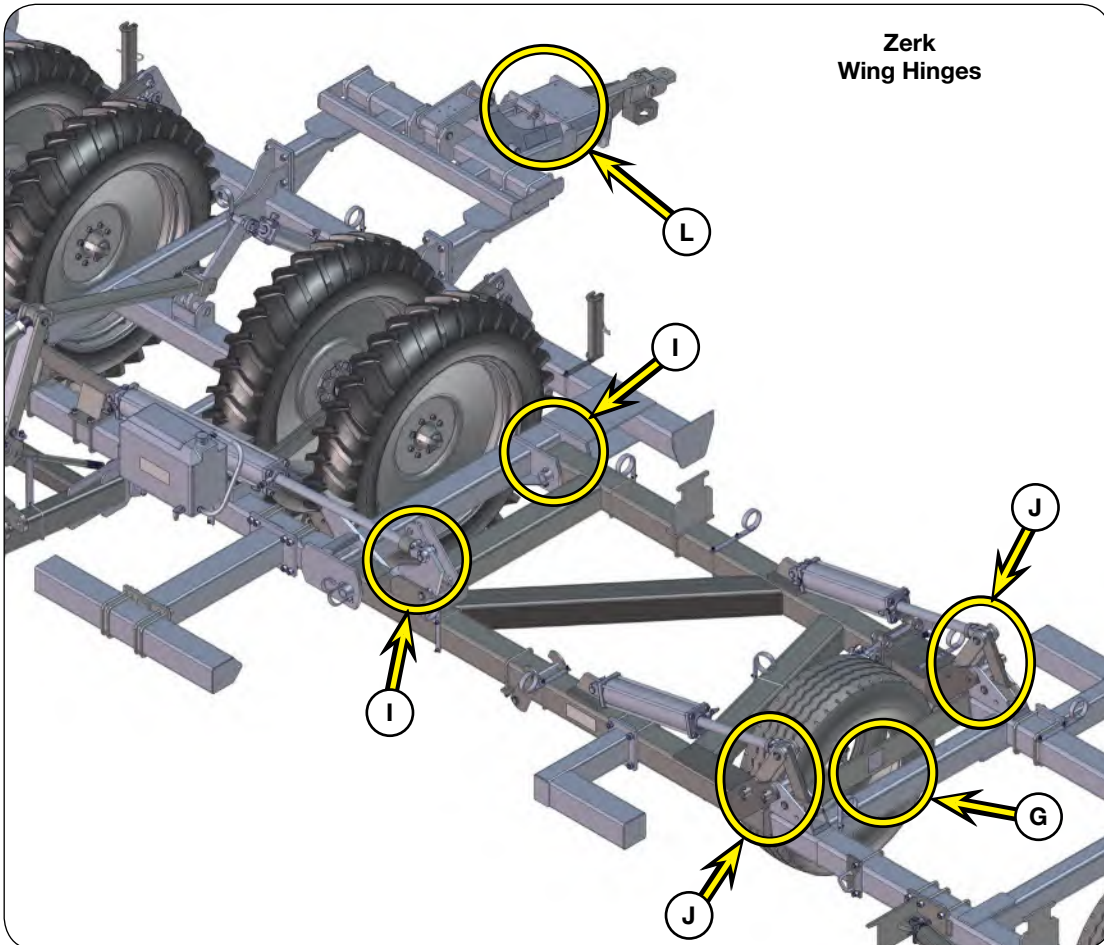
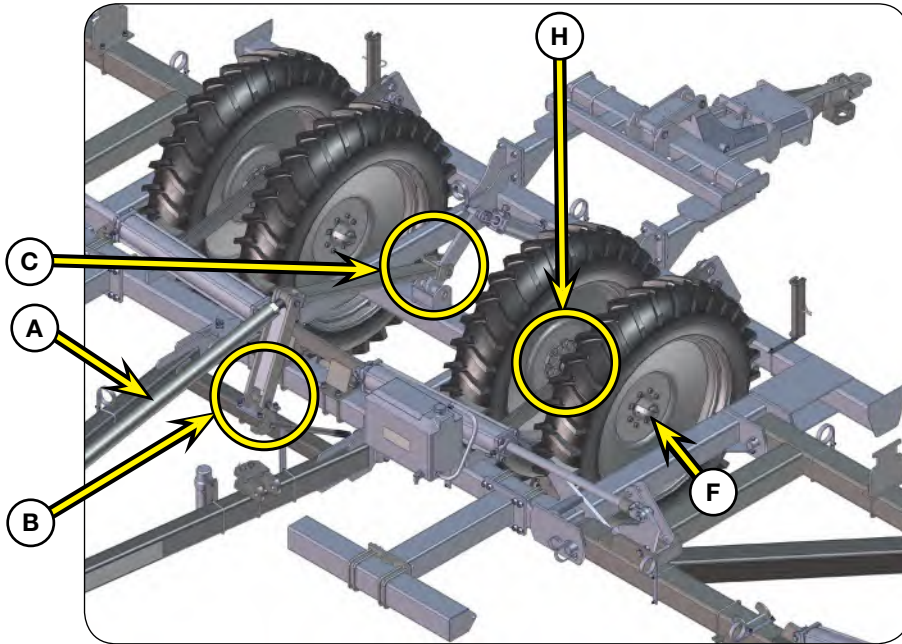
Basket Pressure – Determined by soil type and season in this residue



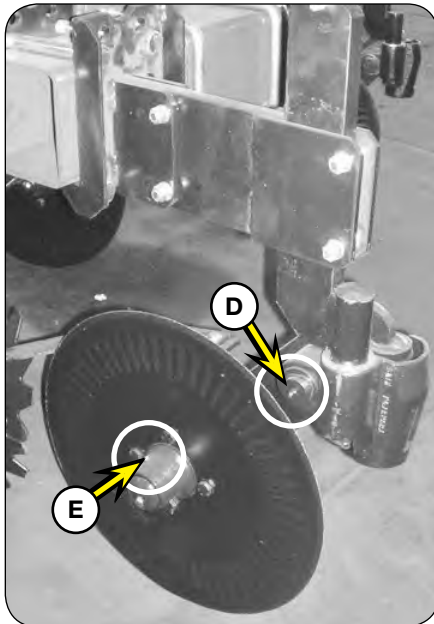
Section IV Maintenance

- Lubrication..... 4-2
- AT6020 Maintenance..... 4-4
 - Seasonal Storage..... 4-4
 - Purging A Hydraulic System 4-5
- Coupler Operations..... 4-6
- Schematics 4-8
- Wheel, Hub and Spindle Disassembly and Assembly 4-19
- Wheels and Tires..... 4-21
 - Wheel Nut Torque Requirements..... 4-21
 - Tire Pressure 4-22
 - Tire Warranty 4-23
- Complete Torque Chart 4-24
- Hydraulic Fittings - Torque and Installation 4-26
- NH3 Fittings - Torque and Installation..... 4-27

Lubrication



Lubrication (continued)



To keep your applicator in top operating condition and to assure its proper performance and reliability for a long period of time, periodic inspection and lubrication is a must.

Use EP-2 lubricant at the locations described in the chart.

All exposed cylinder rods should be coated with grease before seasonal storage to prevent rusting. Remove depth collars and lubricate exposed cylinder rods.

After seasonal storage, check wing latch for freedom of movement.

The lubrication locations and recommended schedule are as follows:

ITEM	DESCRIPTION	POINT	QTY.	HOURS
A	Depth Control Turnbuckle Assembly*	2	2 Shots	50 Hours
B	Stop Arm with Plunger Assembly	1	1 Shot	Weekly
C	Tongue Cylinder Arm Linkage	4	1 Shot	Weekly
D	Coulter Arm Pivot	2	2 Shots	Weekly
E	Coulter Hub	-	10 Shots	Once Every Season
F	Main Frame Transport Wheel Hub	2	Repack	Once Every Season
G	Wing Gauge Wheel Hub	4	Repack	Once Every Season
H	Main Frame Gauge Wheel Pivot	8	5 Shots	Weekly
I	Main Frame to Primary Wing Hinge	4	5 Shots	Weekly
J	Primary Wing to Secondary Wing Hinge & Linkage	6	5 Shots	Weekly
K	Hitch	2	2 Shots	Weekly
L	Nurse Tank - Under Hitch	1	2 Shots	Weekly

***NOTE - ITEM A:** Turn adjustable link two full turns in each direction to ensure threads do not seize.

AT6020 Maintenance

DANGER

- **ELECTROCUTION WILL CAUSE SERIOUS INJURY OR DEATH. THE IMPLEMENT IS NOT INSULATED. KEEP AWAY FROM ALL ELECTRICAL LINES AND DEVICES. ELECTROCUTION CAN OCCUR WITHOUT DIRECT CONTACT.**
-

WARNING

- **TIPPING OR MOVEMENT OF THE MACHINE CAN CAUSE SERIOUS INJURY OR DEATH. BE SURE MACHINE IS SECURELY BLOCKED.**

 - **EYE PROTECTION AND OTHER APPROPRIATE PERSONAL PROTECTIVE EQUIPMENT MUST BE WORN WHILE SERVICING IMPLEMENT.**

 - **KEEP HANDS CLEAR OF PINCH POINT AREAS.**

 - **ALWAYS WEAR PERSONAL PROTECTIVE EQUIPMENT WHEN WORKING WITH OR NEAR CHEMICALS. THIS EQUIPMENT INCLUDES, BUT IS NOT LIMITED TO: PROTECTIVE EYE WEAR, GLOVES, SHOES, SOCKS, LONG-SLEEVED SHIRT, AND LONG PANTS. ADDITIONAL PROTECTION MAY BE REQUIRED FOR MANY TYPES OF CHEMICALS.**

 - **AVOID BREATHING SPRAY MIST OR VAPOR.**

 - **WASH HANDS BEFORE EATING, DRINKING, CHEWING GUM, OR USING TOILET.**

 - **NEW HYDRAULIC SYSTEMS OR SYSTEMS THAT HAVE BEEN MAINTAINED MUST BE PURGED OF AIR BEFORE OPERATING OR MOVING MACHINE TO PREVENT SERIOUS INJURY OR DEATH.**
-

CAUTION

- **SHARP EDGES ON COULTER BLADES AND KNIVES CAN CAUSE SERIOUS INJURY. BE CAREFUL WHEN WORKING AROUND COULTER BLADES AND KNIVES.**
-

Seasonal Storage

Check coultter swivel for wear. Replace as needed. See FIG. 4-1 on next page.

Always open all valves to remove any fluids and to allow moisture to dry.

Immediately after season is finished, completely wash machine to remove corrosive fertilizer inside and out before storing. When using pressure washers maintain an adequate distance so not to force water into bearings, hydraulic seals, or electrical connections.

Repaint all areas where paint has been removed to keep rust from developing. Coat areas of coultter blades and knives, if equipped, and coultter posts with rust preventative material.

AT6020 Maintenance (continued)

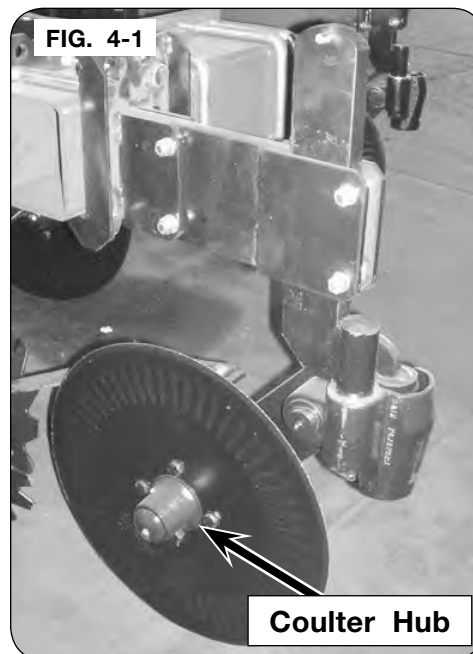
Coat exposed cylinder piston rods with rust preventative material.

Inspect machine for parts that may need to be replaced so they may be ordered in the off season.

Lubricate machine at all points outlined.

Check coultter hubs for free rotation. If blade hubs do not rotate, replace and/or pack bearings with grease. Replace coultter arm if spindle is damaged. (FIG. 4-1)

After period of unused time, unit should be unfolded and refolded to check function of hydraulic system.



Purging A Hydraulic System

⚠ WARNING

- RELIEVE HYDRAULIC SYSTEM OF ALL PRESSURE BEFORE ADJUSTING OR SERVICING. SEE TRACTOR OPERATOR'S MANUAL FOR PROPER PROCEDURES.

- HIGH-PRESSURE FLUIDS CAN PENETRATE THE SKIN AND CAUSE SERIOUS INJURY OR DEATH. SEEK MEDICAL TREATMENT IMMEDIATELY IF INJURED BY HIGH-PRESSURE FLUIDS. USE CARDBOARD OR WOOD TO DETECT LEAKS IN THE HYDRAULIC SYSTEM.

- EYE PROTECTION AND OTHER APPROPRIATE PERSONAL PROTECTIVE EQUIPMENT MUST BE WORN WHILE SERVICING IMPLEMENT.

1. Purge air from system as follows:
 - A. Disconnect the rod end of all cylinders in a circuit. Block up all rod end of each hydraulic cylinders in each circuit so the rod can completely extend and retract without contacting any other component.
 - B. Pressurize the system and maintain system at full pressure for at least 5 seconds after cylinder rods stop moving. Check that all cylinders have fully extended or retracted.
 - C. Check oil reservoir in hydraulic power source and re-fill as needed.
 - D. Pressurize system again to reverse the motion of step B. Maintain pressure on system for at least 5 seconds after cylinder rods stop moving. Check that cylinders have fully extended or retracted.
 - E. Check for hydraulic leaks using cardboard or wood. Tighten connections according to directions in Torque Specifications in MAINTENANCE section.
 - F. Repeat steps B, C, D, and E 10-12 times.
 - G. De-pressurize hydraulic system and connect cylinder rods clevises to their mating lugs.

Coupler Operations



- EXPOSURE TO ANHYDROUS AMMONIA (NH₃) WILL CAUSE SERIOUS INJURY OR DEATH.
 - AVOID BREATHING NH₃ VAPORS. ALWAYS REMAIN UPWIND WHEN WORKING ON NH₃ SYSTEM.
 - IMMEDIATELY FLUSH EXPOSED AREAS WITH CLEAN WATER AND SEEK MEDICAL TREATMENT.
 - ALWAYS WEAR PERSONAL PROTECTIVE EQUIPMENT (PPE) WHEN WORKING WITH OR NEAR NH₃. THIS INCLUDES BUT IS NOT LIMITED TO APPROPRIATE GAUNTLET STYLE GLOVES, INDIRECT VENT CHEMICAL SPLASH GOGGLES, SHOES, SOCKS, LONG SLEEVED SHIRT AND LONG PANTS.
-
- EXPOSURE TO ANHYDROUS AMMONIA (NH₃) WILL CAUSE SERIOUS INJURY OR DEATH. ONLY OPEN A NURSE TANK VALVE DURING APPLICATION. DO NOT TRANSPORT, PARK, OR LEAVE THE APPLICATOR UNATTENDED WITH THE VALVE OPEN.

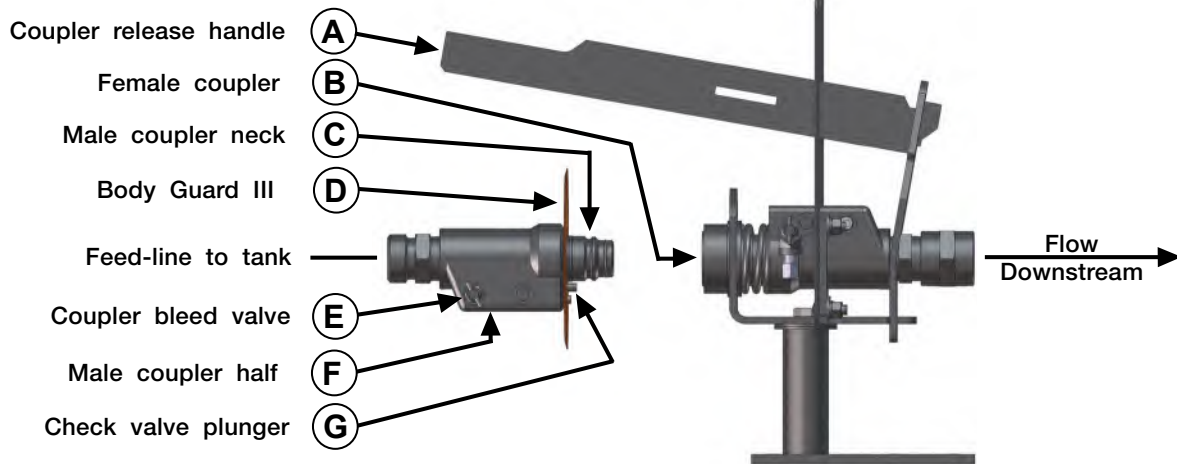


FIG. 4-2

Connecting

1. Stand on the upwind side. Close all feed-line valves and inspect all components for proper condition.
2. Relieve pressure between male coupler (F) and first shutoff valve towards nurse tank by carefully opening coupler bleed valve (E). The Flo-Max coupler is designed to re-couple safely with pressure on the female coupler half (B). (FIG. 4-2)

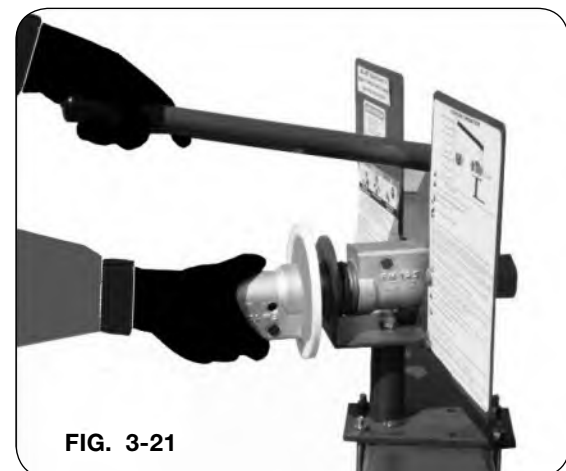
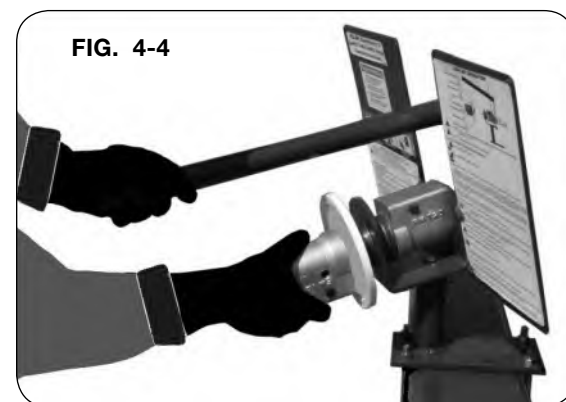
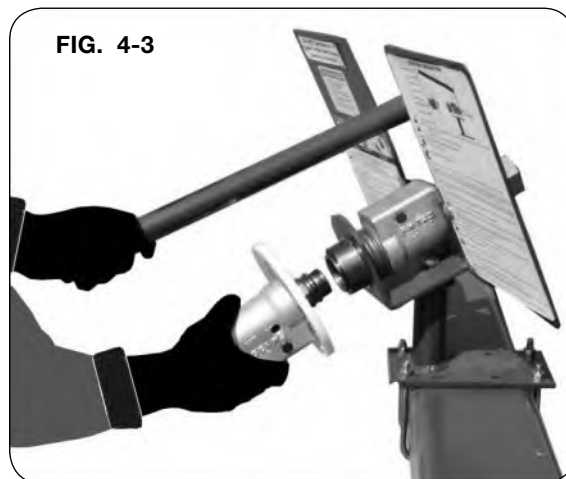
NOTE: Leave coupler bleed valve (E) open for now. (FIG. 4-2)

Coupler Operations (continued)

3. While holding and pointing the hose and male coupler (F) downwind and away from your person, depress check valve plunger (G) with gloved finger to ensure proper operation (FIG. 4-2 & FIG. 4-3). Wipe foreign debris from coupler neck (C) with clean cloth.
4. Make certain BodyGuard III (D) is installed fully with slot oriented around check valve plunger (G) to protect against ammonia spray-back during coupling (FIG. 4-2 & FIG. 4-4).
5. Insert male coupler neck (C) into female coupler half (B) as far as possible (FIG. 4-2 & FIG. 4-4).

NOTE: Then, while applying insertion pressure, pull downward on coupler release handle (A) to complete the coupling process. Release handle (A) after engagement of coupler neck (C) (FIG. 4-2 & FIG. 4-5).

6. Lightly pull on male coupler (F) to ensure proper engagement.
7. Close bleed valve (E) and others if open. Open tank and hose valves just prior to applying ammonia.



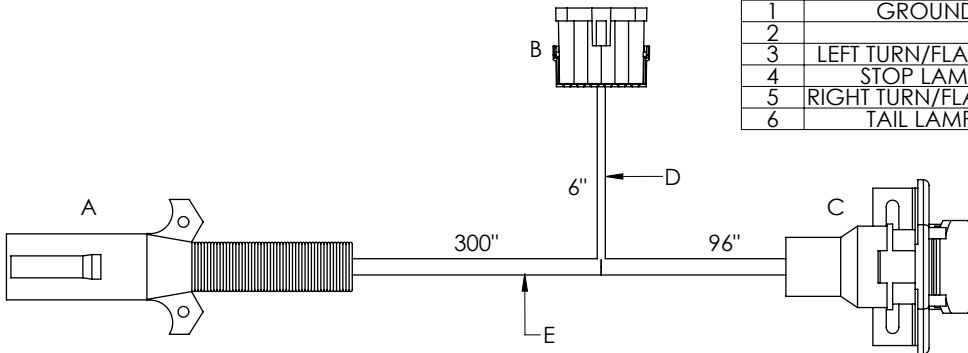
Disconnect

1. After closing all valves, bleed pressure from male coupler half (F) by opening coupler bleed valve (E). Leave bleed valve (E) open. (FIG. 4-2)
2. Then, pull down on coupler release handle (A) and remove male coupler half (F).

Schematics - Electrical

Electrical Harness - Main 33' (JAP3221)

- A. CONNECTOR: 7 F-TERMINAL PLUG CONFORMING TO SAE J560
- B. CONNECTOR: PACKARD, FLAT 6 M-TERMINAL WEATHER-PACK SHROUD
- C. CONNECTOR: 7 M-TERMINAL SOCKET CONFORMING TO SAE J560
- D. CABLE: 5-WIRE 16AWG, (WHT, YEL, RED, GRN, BRN)
- E. TRAILER CABLE: 7-WIRE, 12AWG (BLK, YEL, GRN, BRN), 10AWG (RED, BLU), 8AWG (WHT)



PIN #	DESCRIPTION	WIRE COLOR
1	GROUND	WHITE
2		
3	LEFT TURN/FLASHING	YELLOW
4	STOP LAMPS	RED
5	RIGHT TURN/FLASHING	GREEN
6	TAIL LAMPS	BROWN

7 F-TERMINAL SAE J560 PLUG		
PIN #	DESCRIPTION	WIRE COLOR
1	GROUND	WHITE
2	CLEARANCE/MARKER	BLACK
3	LEFT TURN/FLASHING	YELLOW
4	STOP LAMPS	RED
5	RIGHT TURN/FLASHING	GREEN
6	TAIL LAMPS	BROWN
7	AUX/ABS POWER	BLUE

7 M-TERMINAL SAE J560 SOCKET		
PIN #	DESCRIPTION	WIRE COLOR
1	GROUND	WHITE
2	CLEARANCE/MARKER	BLACK
3	LEFT TURN/FLASHING	YELLOW
4	STOP LAMPS	RED
5	RIGHT TURN/FLASHING	GREEN
6	TAIL LAMPS	BROWN
7	AUX/ABS POWER	BLUE

Electrical Harness - Rear 27' (JAP3222)

- A. CONNECTOR: PACKARD, FLAT 6-F TERMINAL WEATHER-PACK TOWER
- B. CONNECTOR: 3 M-TERMINAL RIGHT ANGLE LIGHT PLUG
- C. WIRE: 16AWG-COLORS: WHITE, YELLOW, RED, GREEN, BROWN

RIGHT REAR RED LAMP		
PIN #	DESCRIPTION	WIRE COLOR
1	GROUND	WHITE
2	STOP LAMPS	RED
3	TAIL LAMPS	BROWN

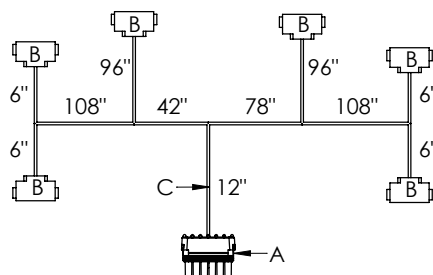
LEFT REAR RED LAMP		
PIN #	DESCRIPTION	WIRE COLOR
1	GROUND	WHITE
2	STOP LAMPS	RED
3	TAIL LAMPS	BROWN

RIGHT REAR AMBER LAMP		
PIN #	DESCRIPTION	WIRE COLOR
1	GROUND	WHITE
2	RIGHT TURN/FLASHING	GREEN

LEFT REAR AMBER LAMP		
PIN #	DESCRIPTION	WIRE COLOR
1	GROUND	WHITE
2	LEFT TURN/FLASHING	YELLOW

RIGHT FRONT AMBER LAMP		
PIN #	DESCRIPTION	WIRE COLOR
1	GROUND	WHITE
2	RIGHT TURN/FLASHING	GREEN

LEFT FRONT AMBER LAMP		
PIN #	DESCRIPTION	WIRE COLOR
1	GROUND	WHITE
2	LEFT TURN/FLASHING	YELLOW



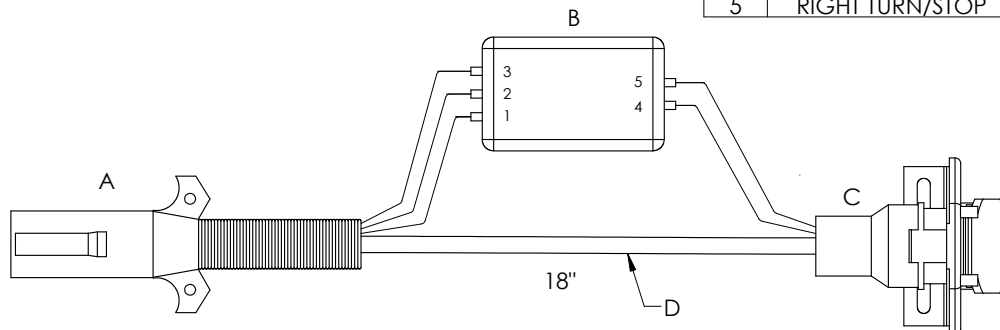
6 F-TERMINAL WEATHER-PACK TOWER		
PIN #	DESCRIPTION	WIRE COLOR
1	GROUND	WHITE
2		
3	LEFT TURN/FLASHING	YELLOW
4	STOP LAMPS	RED
5	RIGHT TURN/FLASHING	GREEN
6	TAIL LAMPS	BROWN

Schematic — Electrical (continued)

Electrical Harness AG Plug to RV Socket (JAP3223)

- A. CONNECTOR: 7 F-TERMINAL PLUG CONFORMING TO SAE J560
- B. TAIL LIGHT CONVERTER: POLLAK 12-752
- C. CONNECTOR: 7 M-TERMINAL SOCKET, RV BLADE STYLE
- D. CABLE: 2-WIRE 12AWG, (WHITE, BLACK)

TAIL LIGHT CONVERTER		
WIRE	DESCRIPTION	COLOR
1	LEFT TURN/FLASHING	YELLOW
2	STOP LAMPS	RED
3	RIGHT TURN/FLASHING	GREEN
4	LEFT TURN/STOP	YELLOW
5	RIGHT TURN/STOP	GREEN

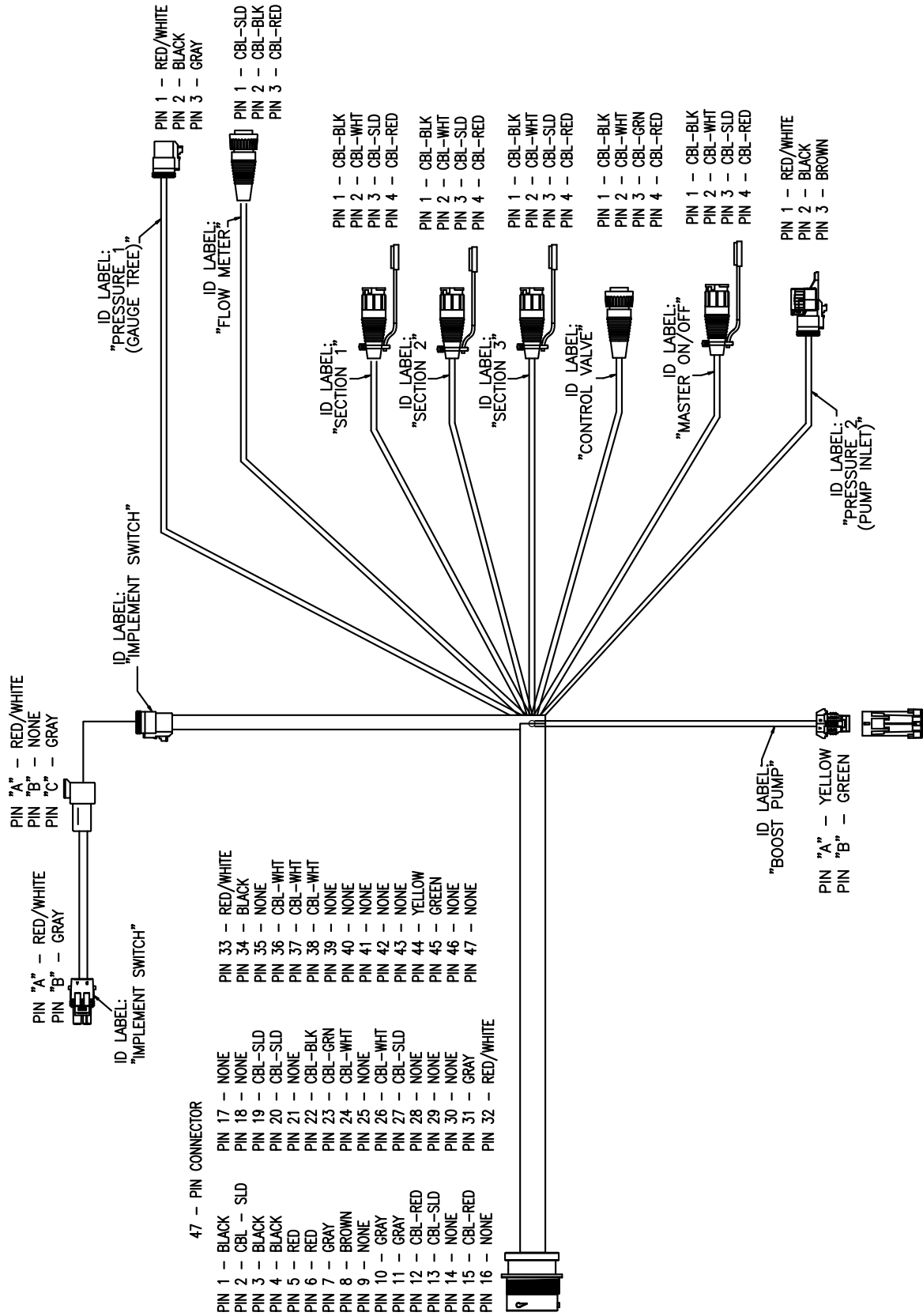


7 F-TERMINAL SAE J560 PLUG		
PIN #	DESCRIPTION	WIRE COLOR
1	GROUND	WHITE
2	CLEARANCE/MARKER	BLACK
3	LEFT TURN/FLASHING	YELLOW
4	STOP LAMPS	RED
5	RIGHT TURN/FLASHING	GREEN
6	TAIL LAMPS	BROWN
7		

7 M-TERMINAL RV BLADE SOCKET		
PIN #	DESCRIPTION	WIRE COLOR
1	GROUND	WHITE
2		
3	TAIL/RUNNING LIGHTS	BROWN
4	+12V SWITCHED PWR	BLACK
5	LEFT TURN/STOP	YELLOW
6	RIGHT TURN/STOP	GREEN
7		

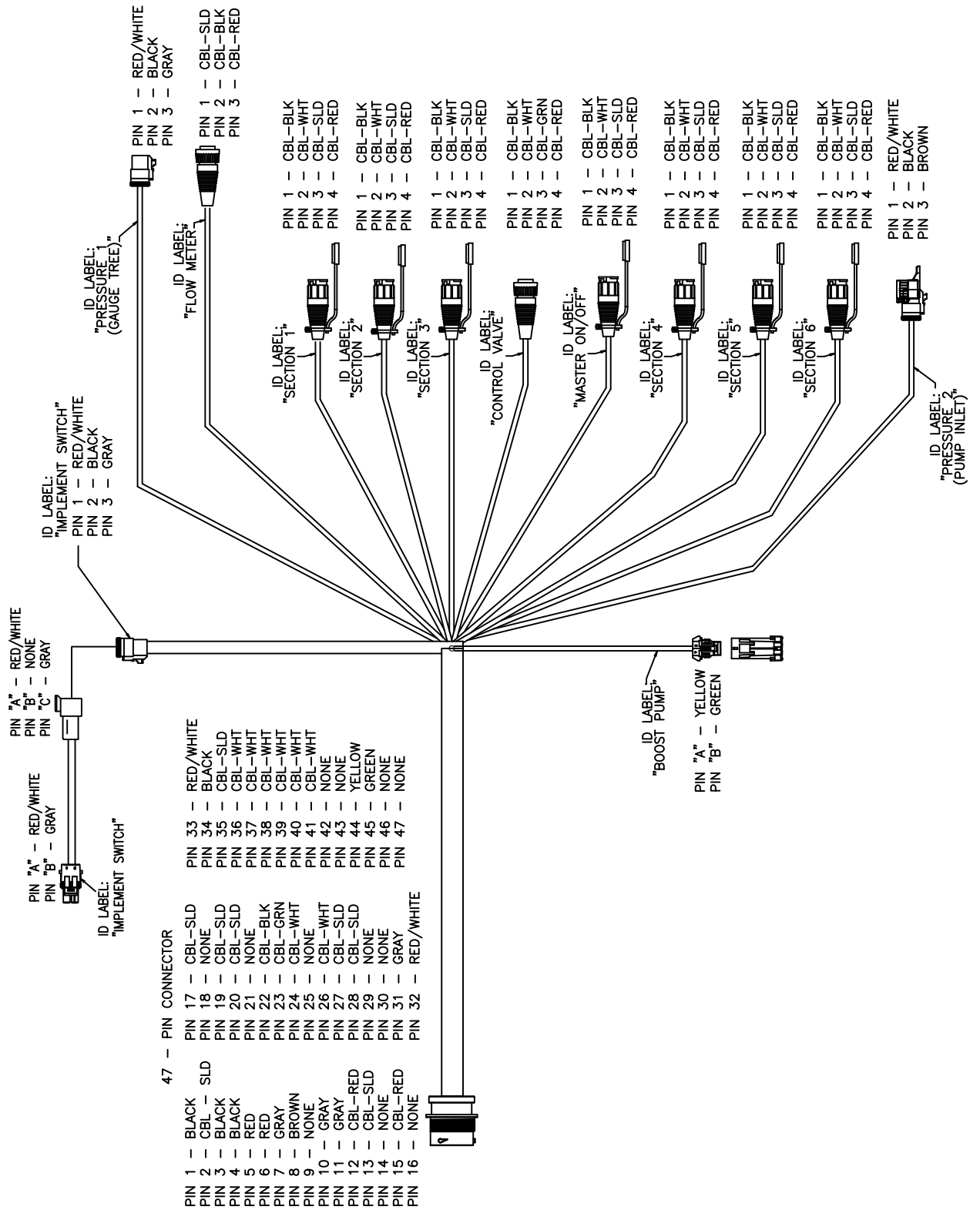
Schematic — Electrical (continued)

Electrical Harness RCM Accu-Flow HP (9503394)



Schematic — Electrical (continued)

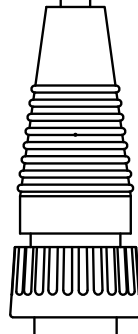
Electrical Harness RCM Accu-Flow HP (9503389)



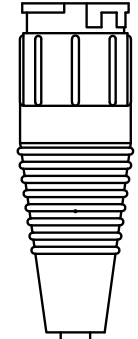
Schematic — Electrical (continued)

Electrical Harness 12 Ft. Extension (9503392) - For On/Off Valve
Electrical Harness 24 Ft. Extension (9503393) - For On/Off Valve

4-Pin Connector
Pin 1 — CBL-SLD
Pin 2 — CBL-BLK
Pin 3 — CBL-WHT
Pin 4 — CBL-RED



4-Pin Connector
Pin 1 — CBL-SLD
Pin 2 — CBL-BLK
Pin 3 — CBL-WHT
Pin 4 — CBL-RED

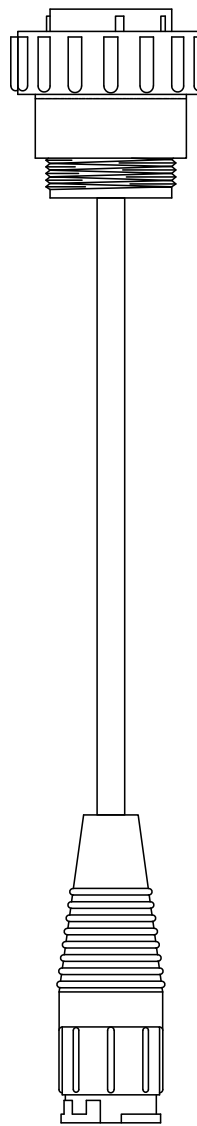


Schematic — Electrical (continued)

Electrical Harness Console 10 Ft. (9503395) - Transducer to Console

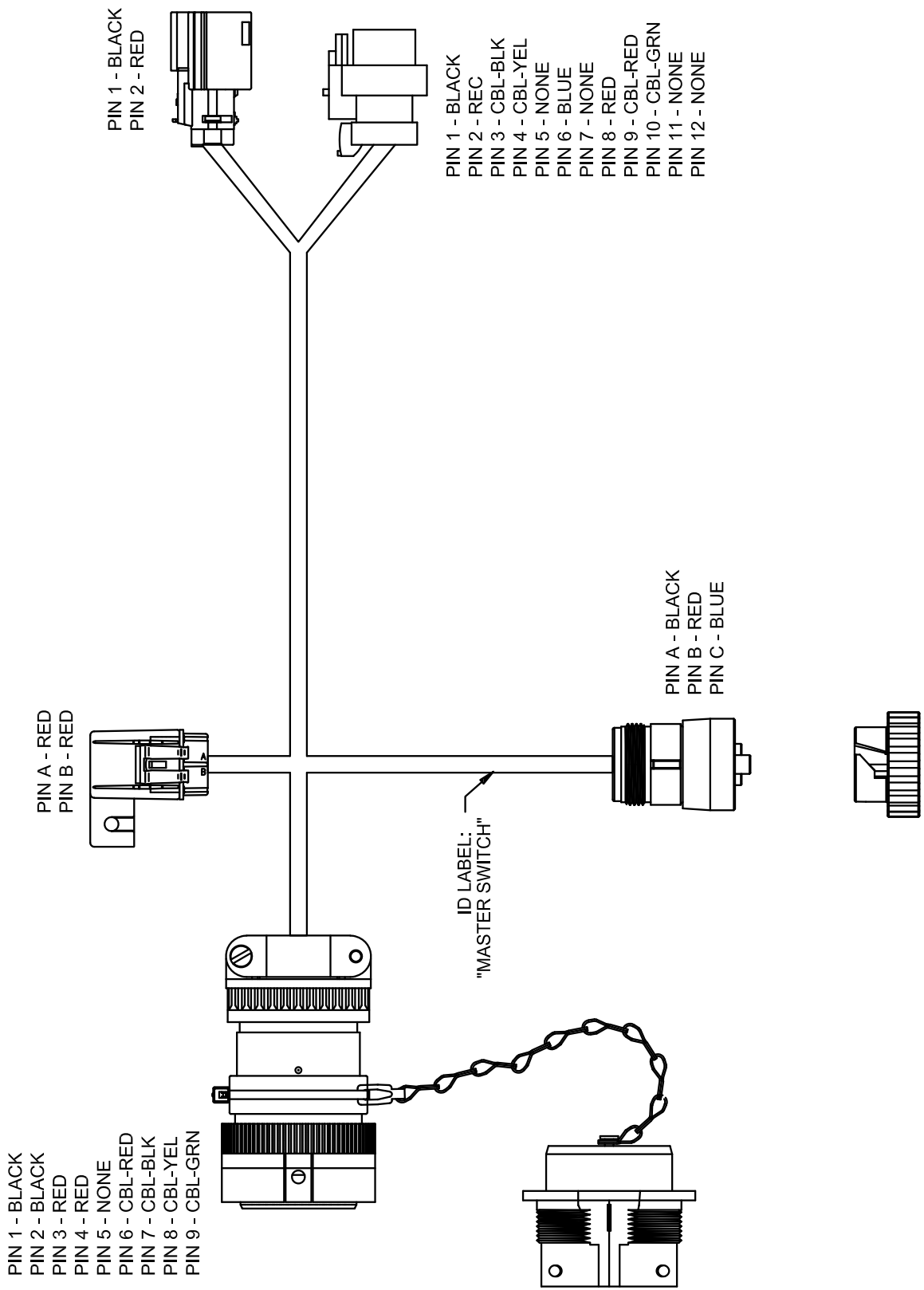
- PIN 1 - NONE
- PIN 2 - NONE
- PIN 3 - NONE
- PIN 4 - NONE
- PIN 5 - NONE
- PIN 6 - NONE
- PIN 7 - NONE
- PIN 8 - CBL-RED
- PIN 9 - CBL-WHT
- PIN 10 - CBL-BLK
- PIN 11 - NONE
- PIN 12 - NONE
- PIN 13 - NONE
- PIN 14 - NONE

- PIN 1 - CBL-WHT
- PIN 2 - CBL-RED
- PIN 3 - CBL-BLK



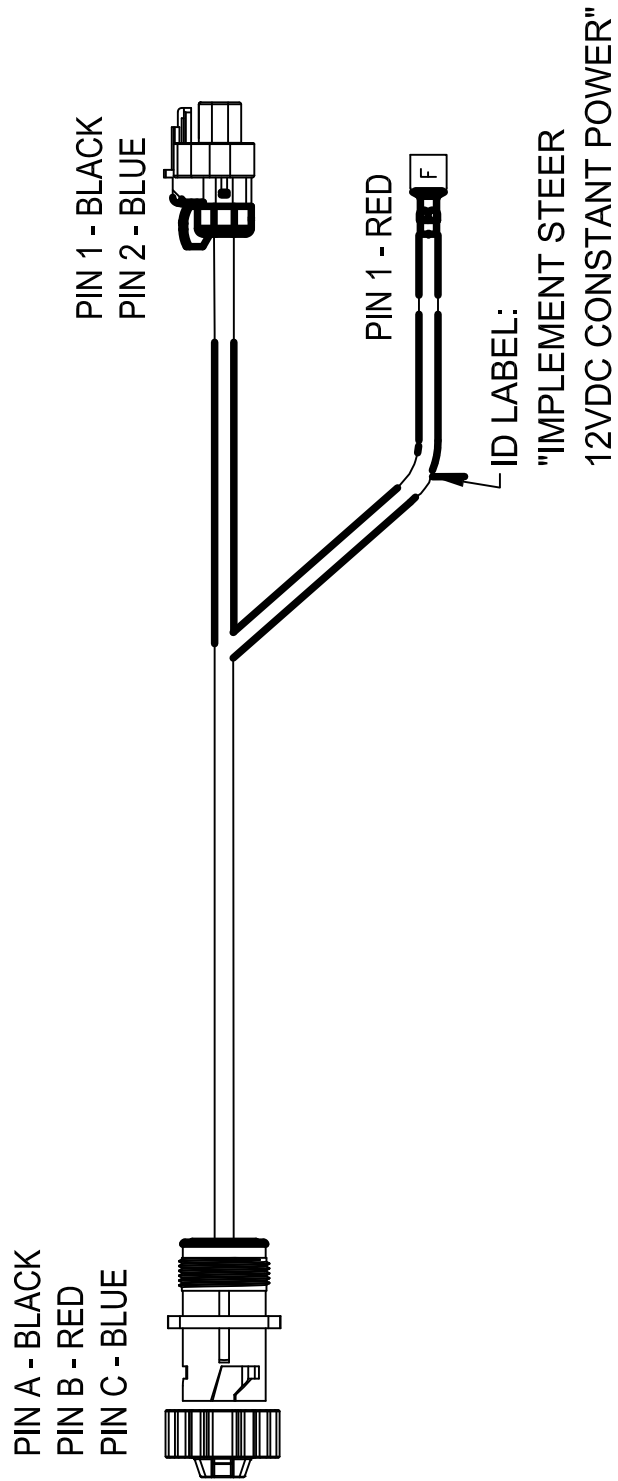
Schematic — Electrical (continued)

Electrical Harness Console 12 Ft. Adapter 9 Pin IBIC to Gen 1, Hitch Cable (9503387)



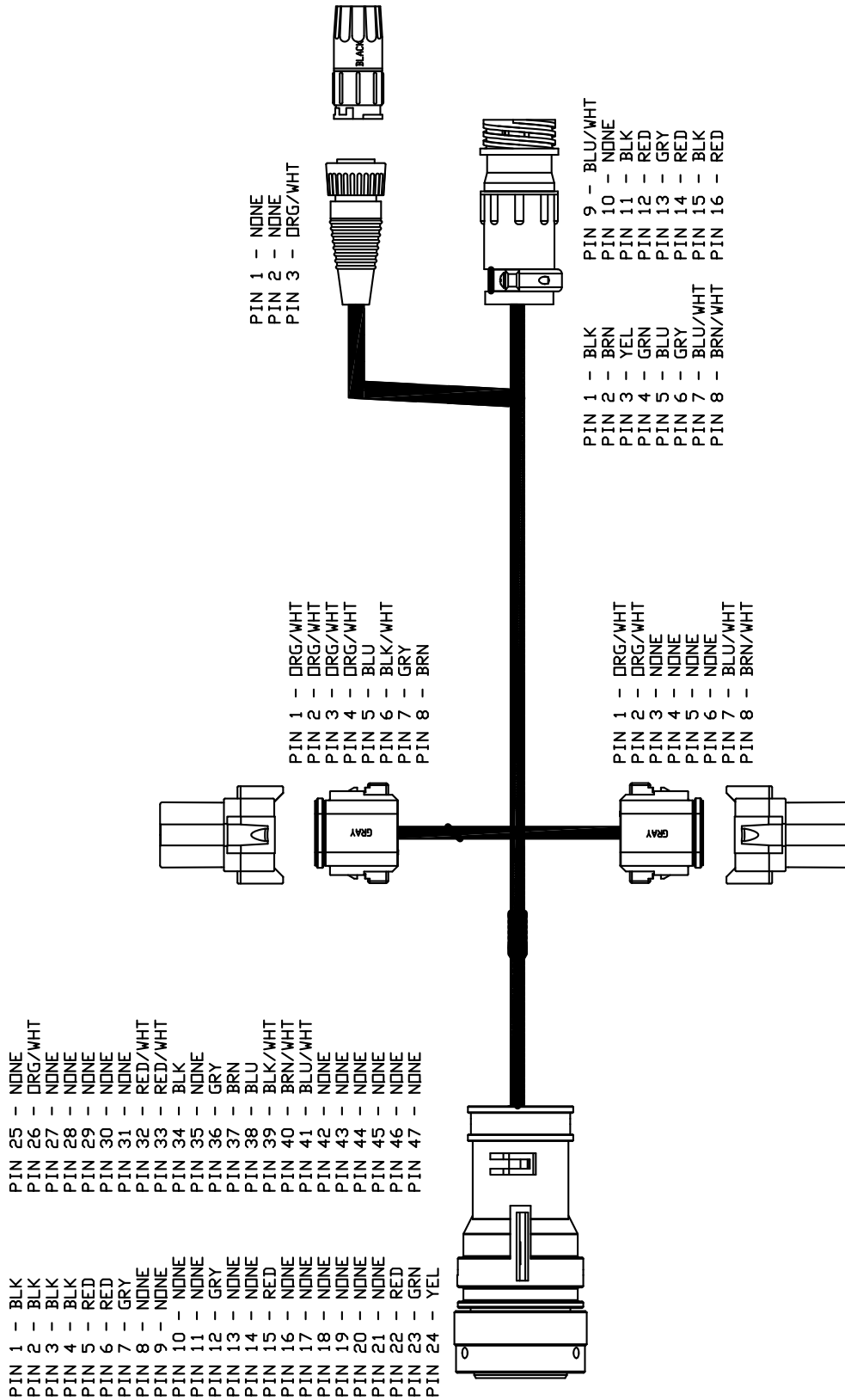
Schematic — Electrical (continued)

Electrical Harness Foot Switch 23 Ft. (9503390)



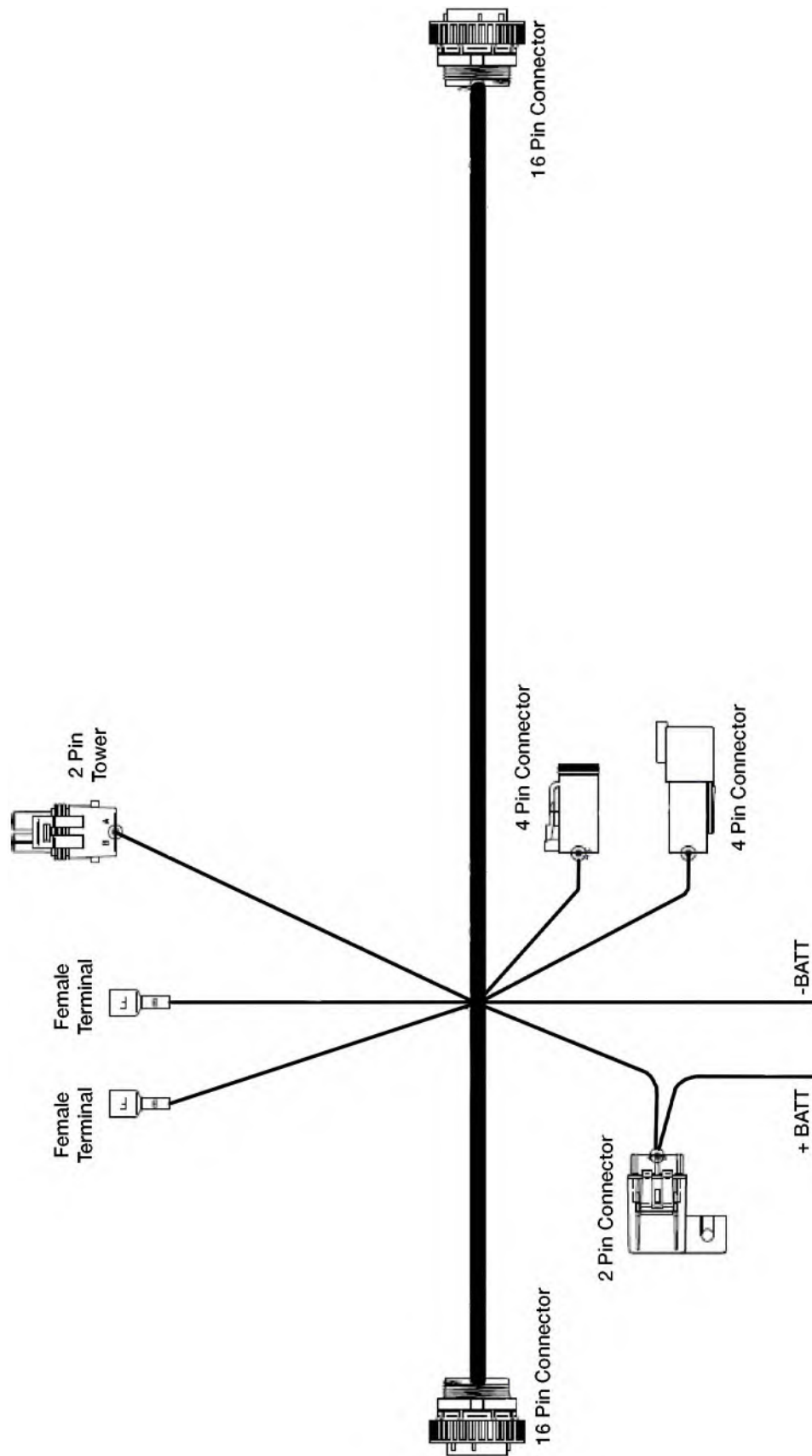
Schematic — Electrical (continued)

Electrical Harness - 16 Pin Console to 47 Pin Connector (9503396)



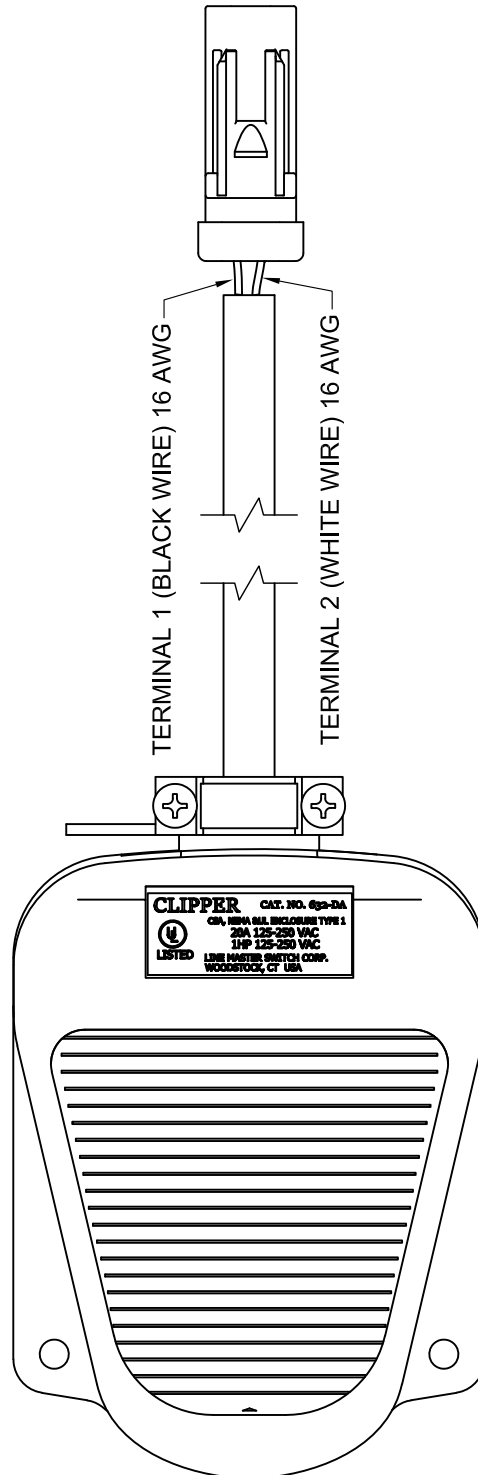
Schematic — Electrical (continued)

Electrical Harness - 450 Console Controller (9007549)



Schematic — Electrical (continued)

Electrical Harness - Foot Switch, ISO Node w/Harness (9005916)



Wheel, Hub and Spindle Disassembly and Assembly

WARNING

- **TIPPING OR MOVEMENT OF THE MACHINE CAN CAUSE SERIOUS INJURY OR DEATH. BE SURE MACHINE IS SECURELY BLOCKED.**

- **FALLING OBJECTS CAN CAUSE SERIOUS INJURY OR DEATH. DO NOT WORK UNDER THE MACHINE AT ANY TIME WHILE BEING HOISTED. BE SURE ALL LIFTING DEVICES AND SUPPORTS ARE RATED FOR THE LOADS BEING HOISTED. THESE ASSEMBLY INSTRUCTIONS WILL REQUIRE SAFE LIFTING DEVICES UP TO 30,000 LBS. SPECIFIC LOAD RATINGS FOR INDIVIDUAL LOADS WILL BE GIVEN AT THE APPROPRIATE TIME IN THE INSTRUCTIONS.**

- **EYE PROTECTION AND OTHER APPROPRIATE PERSONAL PROTECTIVE EQUIPMENT MUST BE WORN WHILE SERVICING IMPLEMENT.**

- **KEEP HANDS CLEAR OF PINCH POINT AREAS.**

CAUTION

- **IMPROPERLY TORQUED WHEEL NUTS/BOLTS CAN CAUSE A LOSS OF IMPLEMENT CONTROL AND MACHINE DAMAGE. TORQUE WHEEL NUTS/BOLTS TO VALUES IN TABLE. CHECK TORQUE BEFORE USE, AFTER ONE HOUR OF UNLOADED USE OR AFTER FIRST LOAD, AND EACH LOAD UNTIL WHEEL NUTS/BOLTS MAINTAIN TORQUE VALUE. CHECK TORQUE EVERY 10 HOURS OF USE THERE-AFTER. AFTER EACH WHEEL REMOVAL START TORQUE PROCESS FROM BEGINNING. WARRANTY DOES NOT COVER FAILURES CAUSED BY IMPROPERLY TORQUED WHEEL NUTS/BOLTS.**

IMPORTANT

- *Remove only one wheel and tire from a side at any given time in the following procedure.*

1. Hitch implement to tractor. Park on a firm, level surface. Set the tractor's parking brake, shut off engine and remove key.



2. Use a safe lifting device rated at 30,000 lbs. to support the weight of your implement. Place the safe lifting device under the axle closest to the tire.
3. Use a 300 lbs. safe lifting device to support the wheel and tire during removal.
4. If only removing wheel and tire, skip to Step 8; otherwise continue with Step 4.

Remove the hardware retaining the hubcap. Next, remove the hubcap, gasket, cotter pin, castle nut and spindle washer. Remove hub with bearings from old spindle using a 200 lbs. lifting device.

Wheel, Hub and Spindle Disassembly and Assembly (continued)

5. Inspect the spindle and replace if necessary. If spindle does not need to be replaced, skip to Step 6; otherwise continue with Step 5.

Remove the bolt and lock nut that retain the spindle to the axle. Using a lifting device rated for 200 lbs., remove the old spindle. Coat spindle shaft with anti-seize lubricant prior to installation. Reuse bolt and lock nut to retain spindle to axle. Torque as outlined in Maintenance Section.

6. Remove seal and inspect bearings, spindle washer, castle nut and cotter pin. Replace if necessary. Pack both bearings with Extreme Pressure NLGI #2 grease and reinstall inner bearing. Install new seal in hub with garter spring facing inward to the hub by tapping on flat plate that completely covers seal while driving it square to hub. Install until flush with back face of hub. Using a 200 lb. rated lifting device, install hub assembly onto spindle. Install outer bearing, spindle washer and castle nut.

IMPORTANT

- *Do not use an impact wrench!*

7. Slowly tighten castle/slotted nut while spinning the hub until hub stops rotating. Turn castle nut counterclockwise until the hole in the spindle aligns with the next notch in castle nut. Hub should spin smoothly with minimal drag and no end play. If play exists, tighten to next notch of castle nut. If drag exists, then back castle nut to next notch. Spin and check again. Install cotter pin. Clean face for hub cap gasket and install gasket, grease-filled hub cap and retain hubcap with hardware removed. Tighten hubcap hardware in alternating pattern.
8. Attach the wheel(s) and tire(s) to the hub using the same rated safe lifting device for removal. Tighten wheel nuts to appropriate requirements and recheck as outlined in the Wheels and Tires section of this manual.
9. Raise implement, remove lifting device and lower tire to the ground.

Wheels and Tires

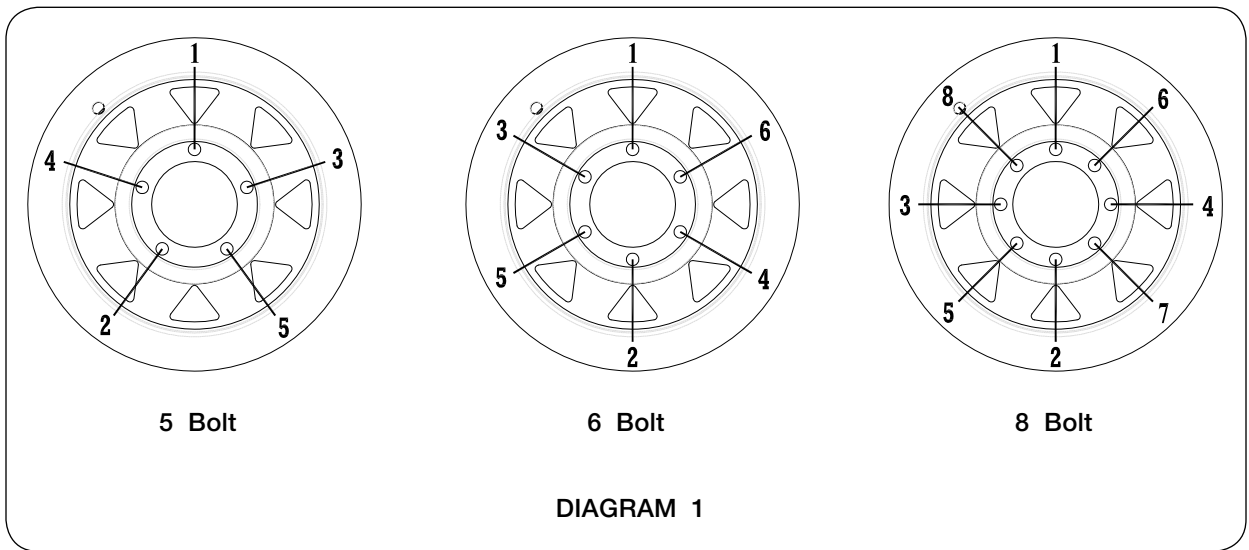
Wheel Nut Torque Requirements

⚠ CAUTION

- IMPROPERLY TORQUED WHEEL NUTS/BOLTS CAN CAUSE A LOSS OF IMPLEMENT CONTROL AND MACHINE DAMAGE. TORQUE WHEEL NUTS/BOLTS TO VALUES IN TABLE. CHECK TORQUE BEFORE USE, AFTER ONE HOUR OF UNLOADED USE OR AFTER FIRST LOAD, AND EACH LOAD UNTIL WHEEL NUTS/BOLTS MAINTAIN TORQUE VALUE. CHECK TORQUE EVERY 10 HOURS OF USE THEREAFTER. AFTER EACH WHEEL REMOVAL START TORQUE PROCESS FROM BEGINNING. WARRANTY DOES NOT COVER FAILURES CAUSED BY IMPROPERLY TORQUED WHEEL NUTS/BOLTS.

Failure to check torque before first load may damage wheel nut/bolt seats. Once seats are damaged, it will become impossible to keep nuts/bolts tight. Tighten nuts/bolts to applicable torque value shown in table. Start all nuts/bolts by hand to prevent cross threading. Torque nuts/bolts in the recommended sequence as shown in Diagram 1.

WHEEL HARDWARE	
SIZE	FOOT-POUNDS
1/2"-20(UNF) Grade 5	75 Ft.-Lbs.
5/8"-18(UNF) Grade 5	165 Ft.-Lbs.
5/8"-18(UNF) Grade 8	175 Ft.-Lbs.



Wheels and Tires (continued)

Tire Pressure

The following is to be used as a general guide for tire inflation and figures can vary depending on specific brand of tire used. It is important that tires are inspected after unit is loaded. The tire should stand up with no side-wall buckling or distress as tire rolls. Record the pressure needed to support the full load and maintain this pressure to achieve proper tire life. Do not exceed maximum recommended tire pressure.

Tire Pressure for Blu-Jet Applicators				
Tire Make	Tire Size	Load Index / Ply Rating	Tread	Max PSI
Carlisle	20.5x8.0B10			
	11L15	F-Ply	I-1	90
Firestone	VF385/65R22.5	163D	I-1	70
	VF295/75R22.5	151D	I-1	64
	30.5R32	16-Ply	R-3	26
Goodyear	12.4R38	14-Ply	R-1	56
	12.5LB15			90
Mitas	380/85R34	146A8		44
	VF380/90R46	173D	R-1	64
Titan	7.50-15	6-Ply	HF-1	44
	155/80R12			

(All tire pressures in psi)

Wheels and Tires (continued)

Tire Warranty

For questions regarding new tire warranty, please contact your local original equipment tire dealer. Used tires carry no warranty. Following are phone numbers and Websites for your convenience:

Firestone www.firestoneag.com
Phone 800-847-3364


Titan www.titan-intl.com
or Phone 800-USA-BEAR
Goodyear Fax 515-265-9301

Carlisle/Ironman www.carlisletire.com
Phone 800-260-7959
Fax 800-352-0075

Complete Torque Chart

Cap screws - Grade 5

NOTE:

- Grade 5 cap screws can be identified by three radial dashes on the head. 
- For wheel torque requirements, refer to Wheels and Tires.
- Tighten U-bolts evenly and equally to have the same number of threads exposed on each end.

SIZE	FOOT POUNDS	NEWTON METERS
1/4-20 1/4-28	8-10 9-11	11-13 12-15
5/16-18 5/16-24	15-17 17-19	20-23 23-26
3/8-16 3/8-24	25-28 28-31	34-38 38-42
7/16-14 7/16-20	40-45 45-50	54-61 61-68
1/2-13 1/2-20	62-68 68-75	84-92 92-102
9/16-12 9/16-18	90-98 100-110	122-133 134-148
5/8-11 5/8-18	120-135 124-137	162-183 168-186
3/4-10 3/4-16	200-220 210-230	270-300 285-310
7/8-9 7/8-14	330-350 360-380	425-475 460-515
1-8 1-14	500-525 540-560	675-710 730-760
1 1/8-7 1 1/8-12	600-635 665-700	815-860 920-950
1 1/4-7 1 1/4-12	850-895 940-990	1150-1215 1275-1340
1 3/8-6 1 3/8-12	1125-1175 1280-1335	1525-1590 1735-1810
1 1/2-6 1 1/2-12	1500-1560 1685-1755	2035-2115 2285-2380

IMPORTANT

- Follow these torque recommendations except when specified in text.

Complete Torque Chart

Capscrews - Grade 8

NOTE:

- Grade 8 capscrews can be identified by six radial dashes on the head.
- For wheel torque requirements, refer to Wheels and Tires.
- Tighten U-bolts evenly and equally to have the same number of threads exposed on each end.



SIZE	FOOT POUNDS	NEWTON METERS
5/16-18	20-22	27-30
5/16-24	21-23	28-31
3/8-16	35-39	47-53
3/8-24	36-41	49-55
7/16-14	54-58	73-78
7/16-20	55-60	75-80
1/2-13	82-88	110-120
1/2-20	94-99	125-135
9/16-12	127-134	170-180
9/16-18	147-155	199-210
5/8-11	160-170	215-230
5/8-18	165-175	225-235
3/4-10	280-295	380-400
3/4-16	330-365	445-495
7/8-9	410-430	555-580
7/8-14	420-440	570-595
1-8	630-650	850-880
1-14	680-700	920-950
1 1/8-7	900-930	1220-1260
1 1/8-12	930-950	1260-1290
1 1/4-7	1250-1300	1695-1760
1 1/4-12	1280-1320	1735-1790

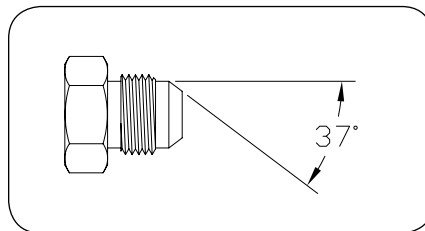
IMPORTANT

- Follow these torque recommendations except when specified in text.

Hydraulic Fittings - Torque and Installation

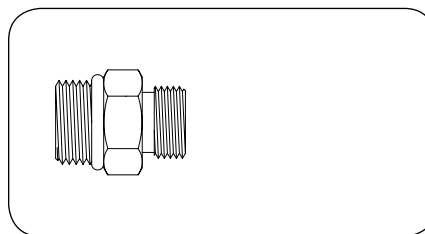
SAE Flare Connection (J. I. C.)

1. Tighten nut with finger until it bottoms the seat.
2. Using a wrench, rotate nut to tighten. Turn nut 1/3 turn to apply proper torque.



SAE Straight Thread O-Ring Seal

1. Back off jam nut and washer to expose smooth surface for O-ring seal.
2. Lubricate o-ring.
3. Thread into port until washer bottoms onto spot face.
4. Position elbows by backing up adapter.
5. Tighten jam nut.



NH3 Fittings - Torque and Installation

NPT - NPTF Threads

The proper method of assembling pipe threaded connectors is to assemble them finger tight and then wrench tighten further to the specified number of turns from finger tight (T.F.F.T.) given in the table below. The assembly procedure given below is recommended to minimize the risk of leakage and/or damage to components.

1. Inspect port and connectors to ensure that threads on both are free of dirt, burrs and excessive nicks.
2. Apply thread sealant approved for anhydrous ammonia to male pipe threads. The first one to two threads should be left uncovered to avoid system contamination. If PTFE tape is used, it should be wrapped 1 ½ -2 turns in clockwise direction when viewed from the pipe thread end.

CAUTION

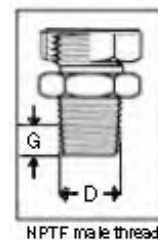
- MORE THAN TWO TURNS OF TAPE MAY CAUSE DISTORTION OR CRACKING OF THE PORT.

3. Screw the connector into the port to the finger tight position.
4. Wrench tighten the connector to the appropriate turns from finger tight (T.F.F.T) values shown in the table, making sure that the tube end of a shaped connector is aligned to receive the incoming tube or hose assembly.

IMPORTANT

- Never back off (loosen) pipe threaded connectors to achieve alignment.
5. If leakage persists after following the above steps, check for damaged threads and total number of threads engaged.

Thread Size NPTF		Threads Per Inch	Pitch	D	G	Assembly Turns (Steel)
						T.F.F.T.
1/8"	in mm	27	0.037 0.94	0.40 10.24	0.16 4.1	2 - 3
1/4"	in mm	18	0.056 1.41	0.54 13.61	0.23 5.8	2 - 3
3/8"	in mm	18	0.056 1.41	0.67 17.05	0.24 6.1	2 - 3
1/2"	in mm	14	0.071 1.81	0.84 21.22	0.32 8.1	2 - 3
3/4"	in mm	14	0.071 1.81	1.05 26.56	0.34 8.6	1.5 - 2.5
1 1/4"	in mm	11 1/2	0.087 2.21	1.33 33.78	0.42 10.7	1.5 - 2.5
1 1/2"	in mm	11 1/2	0.087 2.21	1.89 48.05	0.42 10.7	1.5 - 2.5



Notes

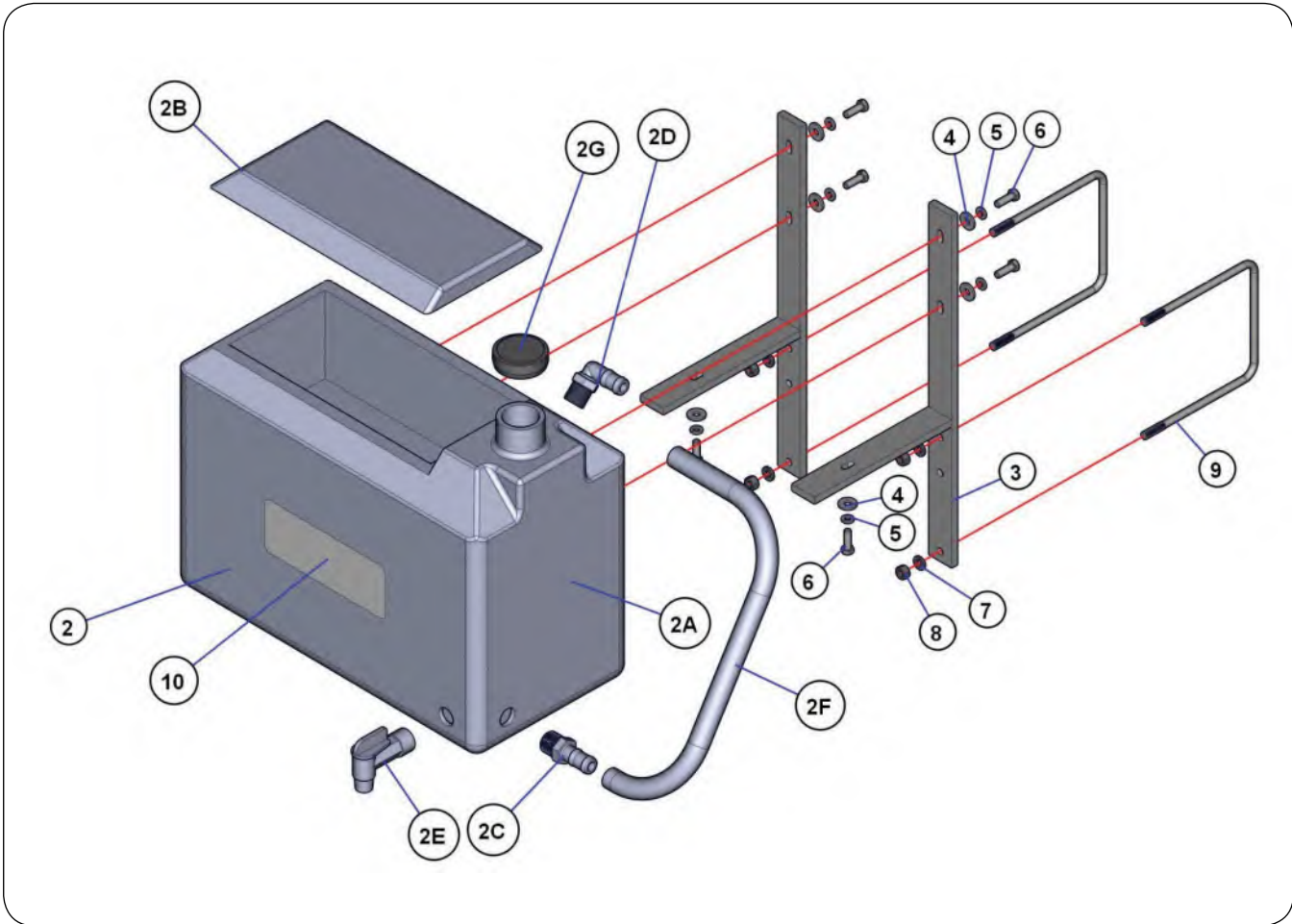
SECTION V
Parts

Please visit www.unverferth.com/parts/ for the most current parts listing.

Clean Water Tank Components.....	5-2	Row Clamp, 1 1/4" EdgeBent MaxPac w/Shank & Coulter Mount.....	5-50
Hitch, Transport Chain, Manual Holder and Jack Components.....	5-4	MaxPac Basket Mount Arm Components (JAAM2623).....	5-51
Depth Control Components.....	5-6	Coulter Bracket Extension 9 7/8" Kit (JAAM2637).....	5-52
Main Frame Components.....	5-8	Coulter Bracket Extension 16 7/8" Kit (JAAM2852).....	5-53
Main Frame Transport Wheel Components.....	5-10	Nurse Tank Hitch Assembly Components.....	5-54
Primary Wing Components.....	5-12	Nurse Tank Hitch, Low Mounting Components.....	5-56
Secondary Wing and Linkage Components.....	5-14	Auto-Lok Nurse Tank Hitch Components.....	5-57
Wing Gauge Wheels Components.....	5-16	SuperShooter III Connection - Single 1.25" Plumbing.....	5-58
Third Wing and Linkage Components.....	5-18	SuperShooter III Connection - Double 1.25" Plumbing.....	5-60
Swing Adjust Gauge Wheel Components.....	5-20	SuperShooter III Components - 1.25" Connection.....	5-62
Hub and Spindle Components (JAAM2800) For 295/75R22.5 Tires.....	5-22	SuperShooter III Single 1 1/4" Asy, Less Distribution.....	5-64
Hub and Spindle Components (JAAM2800-1) For 385/65R22.5 Tires.....	5-23	SuperShooter III Max Single 1 1/2" Asy, Less Distribution..	5-65
Hub and Spindle Components (JAAM2788-1) For 385/85R34 Tires.....	5-24	SuperShooter III Connection - Single 1.5" Plumbing.....	5-66
Hub and Spindle Components (JAAM2705) 611 Model Hub.....	5-25	SuperShooter III Connection - Double 1.5" Plumbing.....	5-68
Hub and Spindle Components (JAAM2707) 511 Model Hub.....	5-26	SuperShooter III Max Components - 1.5" Connection.....	5-70
Decals.....	5-27	Impellicone and Mounting Hdw - 2 Section John Blue.....	5-72
Main Frame to Primary Wing Hydraulics.....	5-28	Impellicone and Mounting Hdw - 3 Section John Blue.....	5-74
Main Frame Transport Wheel & Frame Leveling Hydraulics.....	5-30	Impellicone and Mounting Hdw - 4 Section John Blue.....	5-76
Primary Wing Gauge Wheel Hydraulics.....	5-32	Impellicone and Mounting Hdw - 5 Section John Blue.....	5-78
Primary Wing to Secondary Wing Hydraulics.....	5-33	Manifold and Mounting Hdw - 2 Section Continental.....	5-80
Secondary Wing Gauge Wheel Hydraulics.....	5-34	Manifold and Mounting Hdw - 3 Section Continental.....	5-82
Secondary Wing to Third Wing Hydraulics (Toolbars Over 48").....	5-35	Manifold and Mounting Hdw - 4 Section Continental.....	5-84
Offset Stagger Bracket & Bracket Extension Components ...	5-36	Manifold and Mounting Hdw - 5 Section Continental.....	5-86
Super 1200 Flex Coulter Hub Assembly Components.....	5-38	Distribution 2-Section Hoses and Electrical Components.....	5-88
Super 1200 Flex Coulter & Post Assembly.....	5-38	Distribution 3-Section Hoses and Electrical Components.....	5-90
Super 1200 Flex Coulter Assembly Components.....	5-39	Distribution 4-Section Hoses and Electrical Components.....	5-92
SealPro II (JAAM2856) & Blades For 1 1/4" Edge Bent Shank.....	5-40	Distribution 5-Section Hoses and Electrical Components.....	5-94
DiscCover Sealer (JAAM2893) For 1 1/4" Edge Bent Shank.....	5-42	1.5" Flow Control Valve.....	5-96
Disc Sealer Spring Add-On Kit (JAAM2857) Optional.....	5-44	1.0" Flow Control Valve (Optional).....	5-98
Sealer Hanger with Blade Mounting (JAM2481).....	5-45	Cooler - Vortex.....	5-100
Coulter Mounting Bracket Components.....	5-46	Cooler - Continental (Optional).....	5-102
Row Clamp w/EdgeBent Shank & Coulter Mount (JAAM2132).....	5-47	ISOBUS Rate Controller.....	5-104
Shank Assembly, 1 1/4" EdgeBent SCS, Less Coulter.....	5-48	Raven 450 Rate Controller Option.....	5-105
		Torsion Arm Basket (Short Arms) Components.....	5-106
		Torsion Arm/Rigid Basket Mounting Brackets.....	5-107
		Basket Flat Mount with Hardware.....	5-108
		Residue Manager Blade Mounting Assembly (JAM7670)....	5-109
		StripTill Residue Manager Components (J70210646).....	5-110
		Lighting Components.....	5-112

Clean Water Tank Components

Please visit www.unverferth.com/parts/ for the most current parts listing.



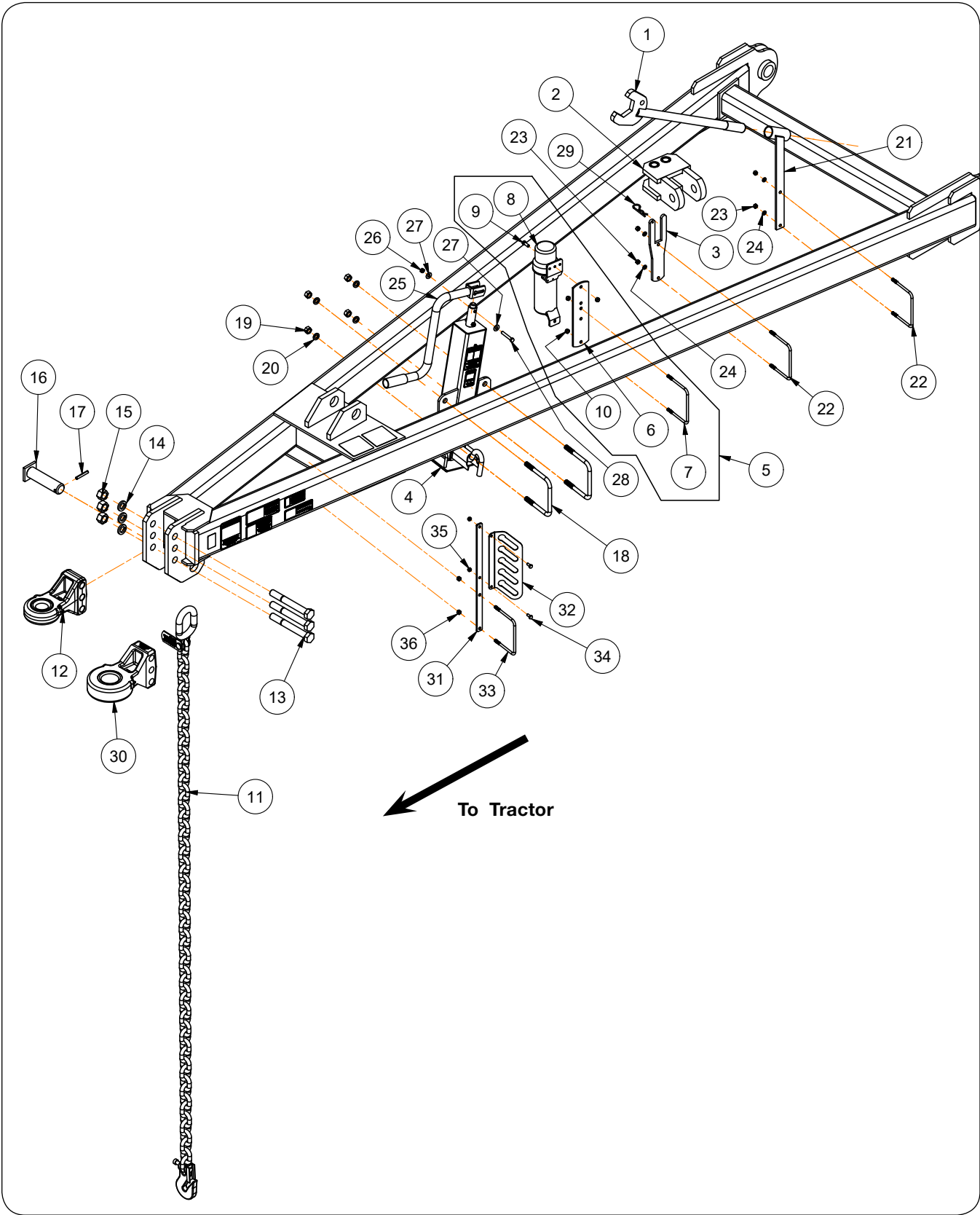
Clean Water Tank Components

Please visit www.unverferth.com/parts/ for the most current parts listing.

ITEM	PART NUMBER	DESCRIPTION	QTY	NOTES
	JAAM2427	Clean Water Tank & Toolbox		INCLUDES ITEMS 1-10
1	JPKG00040	9 Gallon Clean Water Tank Package	1	Includes Items 2-8
2	JAP2137	Clean Water Tank Assembly	1	Includes Items 2A-2G
2A	-	Tank	1	
2B	-	Toolbox Lid	1	
2C	TA814861	Hose Barb, 3/4"-14MPT x 3/4" HS Straight Poly Hose Barb (HB075)	1	
2D	TA814961	90° Elbow, 3/4"-14MPT x 3/4" Poly Hose Barb	1	
2E	JAP2329	Spigot	1	
2F	TA806558	3/4" Clear Vinyl Tubing - 24" Length	2 Ft.	
2G	JAP2272	2" Fill Cap Replacement	1	
3	JAM2136	9 Gallon Tank Mounting Bracket	2	
4	9405-068	Flat Washer, 5/16" SAE	6	
5	9404-019	Lock Washer, 5/16"	6	
6	9390-030	Capscrew, 5/16"-18UNC x 1" G5	6	
7	9404-021	Lock Washer, 3/8"	4	
8	9394-006	Hex Nut, 3/8"-16UNC	4	
9	JBP3351	U-Bolt, 3/8"-16UNC x 7", 6 7/16CC	2	
10	JAP2215	Decal, BLU-JET, 3" x 8"	1	

Hitch, Transport Chain, Manual Holder and Jack Components

Please visit www.unverferth.com/parts/ for the most current parts listing.



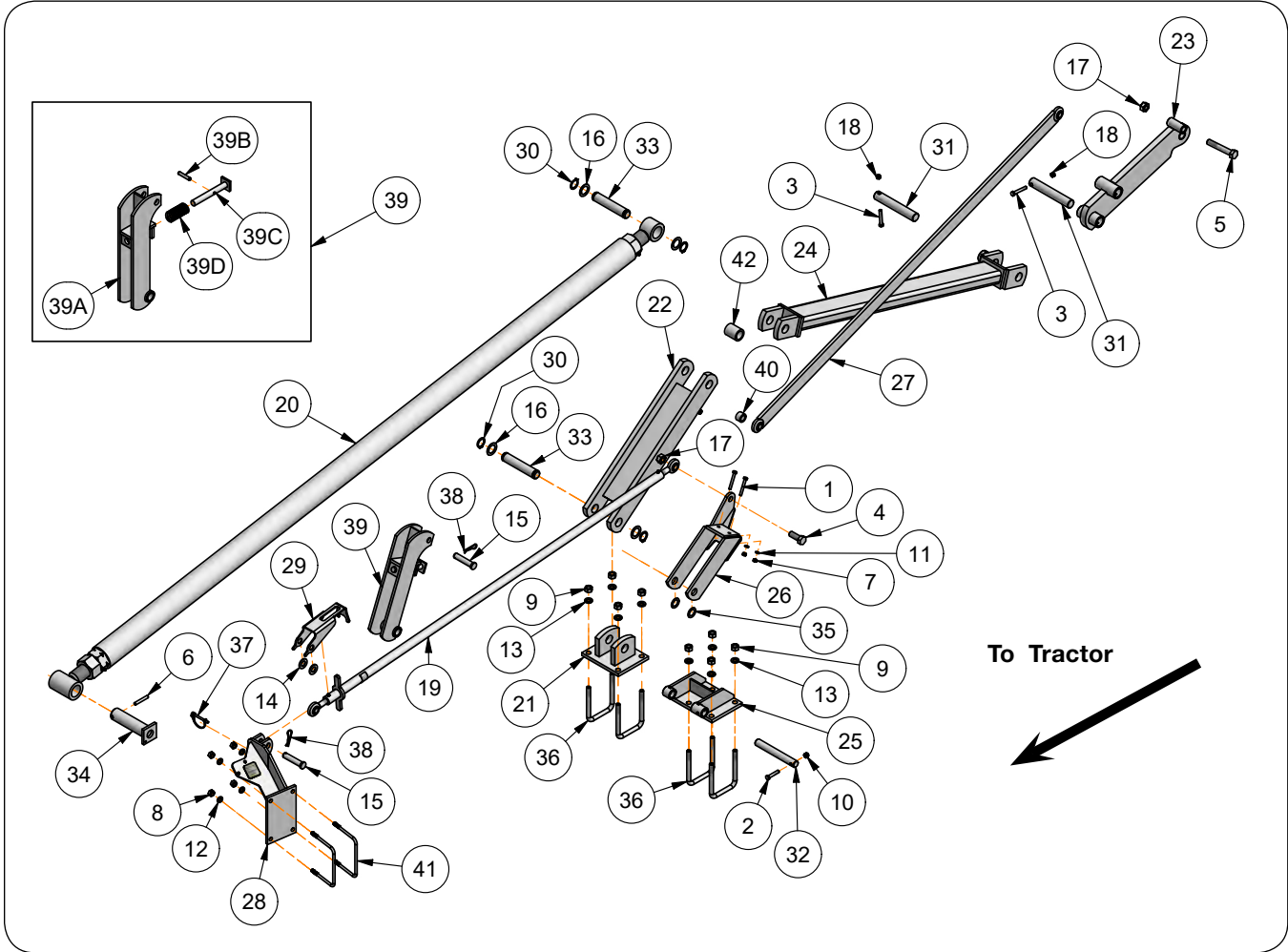
Hitch, Transport Chain, Manual Holder and Jack Components

Please visit www.unverferth.com/parts/ for the most current parts listing.

ITEM	PART NUMBER	DESCRIPTION	QTY	NOTES
1	JAM4759	Turnbuckle Wrench Weldment	1	
2	JAM2144	Clevis Hitch	1	
3	JAM2145	Hitch Storage Bracket Mount	1	
4	JAM2549	Jack, 12 Ton	1	
5	JAAM2639	Manual Holder Assembly	1	Includes Items 6-10
6	JAM7640	Manual Mounting Bracket	1	
7	JBP3045	U-Bolt, 3/8"-16UNC x 5", 6 7/16"CC	1	
8	900552	Manual Holder	1	
9	9390-055	Capscrew, 3/8"-16UNC x 1" G5	1	
10	9928	Lock Nut/Top, 3/8"-16UNC	3	
11	9003269	Transport Chain (60,600#)	1	
12	JAP3228	Ball Swivel Hitch, CAT4	1	
13	91299-199	Capscrew, 1"-8UNC x 8" G8	3	
14	9404-041	Lock Washer, 1"	9	
15	9005114	Hex Nut 1"-8UNC G8	3	
16	JBM3610	Pin Weldment, 1 3/4" Dia. x 6 5/16"	2	
17	9392-182	Roll Pin, 3/8" Dia. x 2 1/2"	2	
18	JBP3099	U-Bolt, 5/8"-11UNC x 6 x 6	2	
19	9394-014	Hex Nut, 5/8"-11UNC	16	
20	9404-029	Lock Washer, 5/8"	16	
21	JAM2197	Wrench Storage Bracket	1	
22	JBP3045	U-Bolt, 3/8"-16UNC x 5", 6 7/16"CC	4	
23	9394-006	Hex Nut, 3/8"-16UNC	46	
24	9404-021	Lock Washer, 3/8"	46	
25	JAM2580	Crank Swivel Handle	1	
26	902875	Lock Nut/Center, 3/8"-16UNC	9	
27	9405-076	Flat Washer, 3/8" USS	2	
28	9390-061	Capscrew, 3/8"-16UNC x 2 1/2" G5	3	
29	JBP3500	Hair Clip Pin, 3/16"	1	
30	JAP3229	Ball Swivel Hitch, CAT5 (Optional)	1	
31	46618B	Hose Caddy Mounting Plate =Black=	1	
32	415536	Hose Caddy Plate	1	
33	JBP3045	U-Bolt, 3/8"-16UNC x 5", 6 7/16"CC	1	
34	9390-028	Capscrew, 5/16"-18UNC x 3/4"	2	
35	9807	Lock Nut/Top, 5/16"-18UNC	4	
36	9928	Lock Nut/Top, 3/8"-16UNC	8	

Depth Control Components

Please visit www.unverferth.com/parts/ for the most current parts listing.



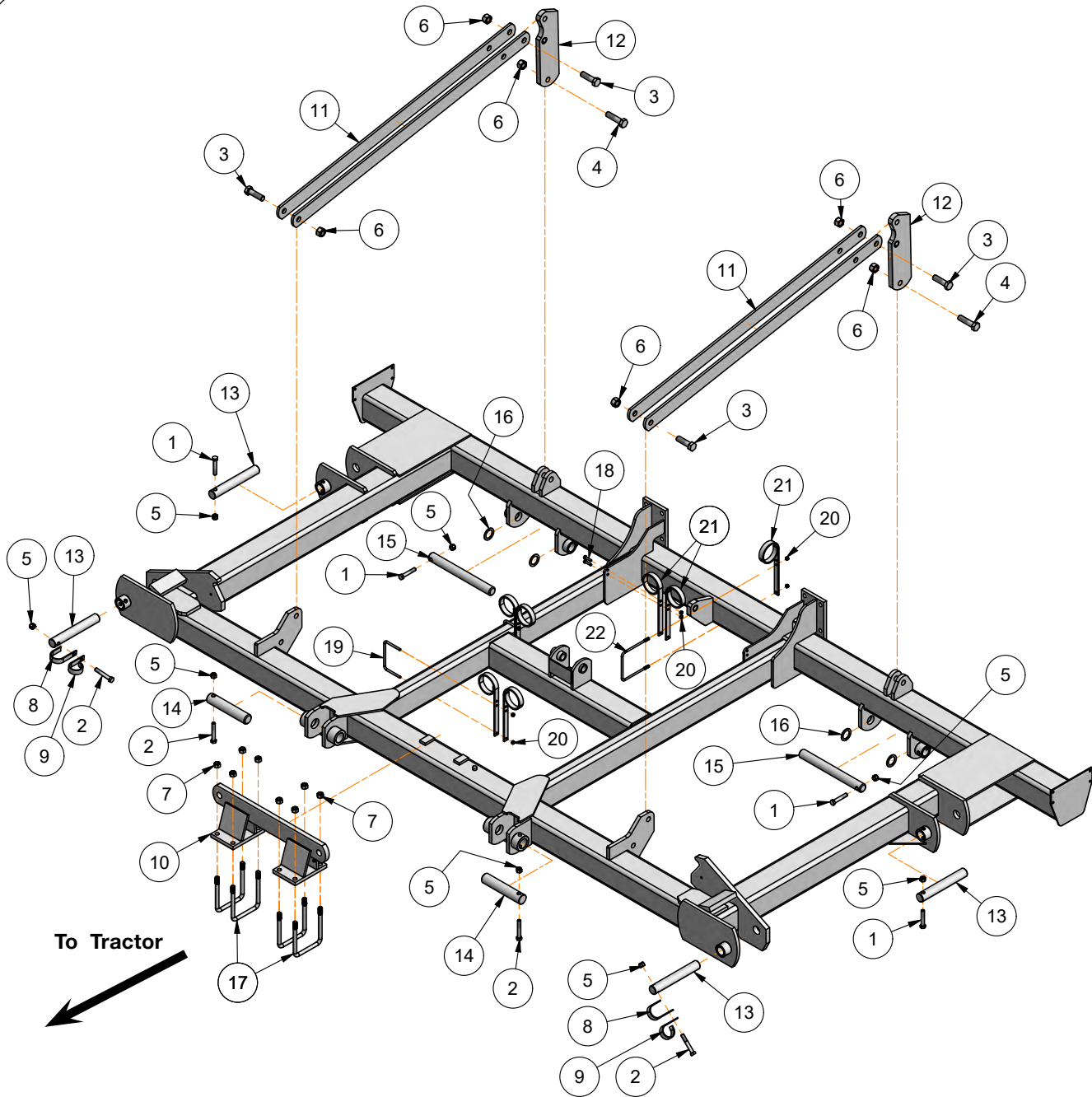
Depth Control Components

Please visit www.unverferth.com/parts/ for the most current parts listing.

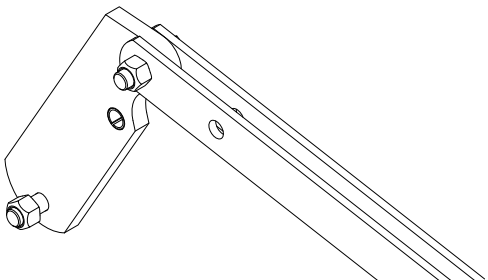
ITEM	PART NUMBER	DESCRIPTION	QTY	NOTES
1	9390-036	Capscrew, 5/16"-18UNC x 2 1/2" G5	2	
2	9390-059	Capscrew, 3/8"-16UNC x 2" G5	3	
3	9390-061	Capscrew, 3/8"-16UNC x 2 1/2" G5	3	
4	9390-145	Capscrew, 3/4"-10UNC x 2" G5	1	
5	9390-154	Capscrew, 3/4"-10UNC x 4 1/2" G5	1	
6	9392-182	Roll Pin, 3/8" Dia. x 2 1/2"	2	
7	9394-004	Hex Nut, 5/16"-18UNC	2	
8	9394-010	Hex Nut, 1/2"-13UNC	4	
9	9394-014	Hex Nut, 5/8"-11UNC	16	
10	9398-012	Elastic Lock Nut, 3/8"-16UNC	1	
11	9404-019	Lock Washer, 5/16"	2	
12	9404-025	Lock Washer, 1/2"	4	
13	9404-029	Lock Washer, 5/8"	16	
14	9405-104	Flat Washer, 3/4" SAE	2	
15	9981	Clevis Pin, 3/4" Dia. x 3 1/2"	2	
16	91174	Machinery Bushing, 1 7/8" OD x 1 1/4" ID x 14GA	12	
17	96732	Lock Nut/Center, 3/4"-10UNC	2	
18	902875	Lock Nut/Center, 3/8"-16UNC	9	
19	JAAM2929	Adjustment Linkage	1	
20	JAAM4768	Turnbuckle Assembly	1	
21	JAM4511	Turnbuckle Support Bracket Weldment	1	
22	JAM4512	Turnbuckle Support Weldment	1	
23	JAM6182	Tongue Cylinder Arm Linkage	1	
24	JAM6183	Tongue Cylinder Linkage	1	
25	JAM6263	Pivot Bracket Weldment	1	
26	JAM6264	Valve Arm Weldment	1	
27	JAM6266	Stop Linkage	1	
28	JAM6270	Adjuster Depth Control Bracket w/Decal	1	
	JAP2481	Decal, Transport Lock	1	
29	JAM6271	Adjuster Latch Plate	1	
30	JAP2711	Snap Ring 1 1/4", External Heavy-Duty Retaining Ring	12	
31	JBM3465	Pin, 1 1/4" Dia. x 7 3/4"	2	
32	JBM3487	Pin, 1" Dia. x 7 3/4"	1	
33	JBM3547	Pin, 1 1/4" Dia. x 5 3/4"	2	
34	JBM3610	Pin Weldment, 1 3/4" Dia. x 6 5/16"	2	
35	JBP3215	Machinery Bushing, 1 1/2" OD x 1" ID x 14GA	2	
36	JBP3347	U-Bolt, 5/8"-11UNC x 4 x 5 5/8"	4	
37	JBP3376	Wire Retaining Pin, 1/4"Dia. x 2"	1	
38	JBP3504	Hair Clip Pin, 1/8"	2	
39	JAAM2928	Stop Arm With Plunger Assembly	1	Includes Items 39A-39D
39A	JAM6265	Stop Arm Weldment	1	
39B	9392-180	Roll Pin, 3/8" Dia. x 2"	1	
39C	JAM4627	Depth Gauge Plunger	1	
39D	JAP2193	Compression Spring 1.4" OD x 3"	1	
40	JBM3453	Spacer, 1 1/4" OD x .812" ID x 13/16"	1	
41	JBP3330	U-Bolt, 1/2"-13UNC X 5 1/8", 6 9/16"CC	2	
42	JEM3735	Bushing 1 3/4" OD x 1.275" ID x 2 1/8"	1	

Main Frame Components

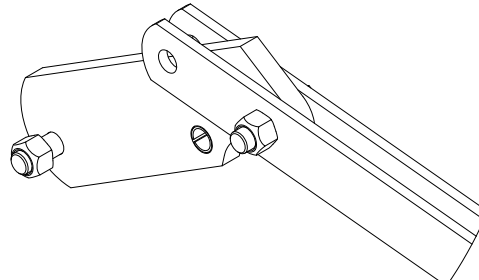
Please visit www.unverferth.com/parts/ for the most current parts listing.



Position For Tractor Tires



Position For Truck Tire Duals



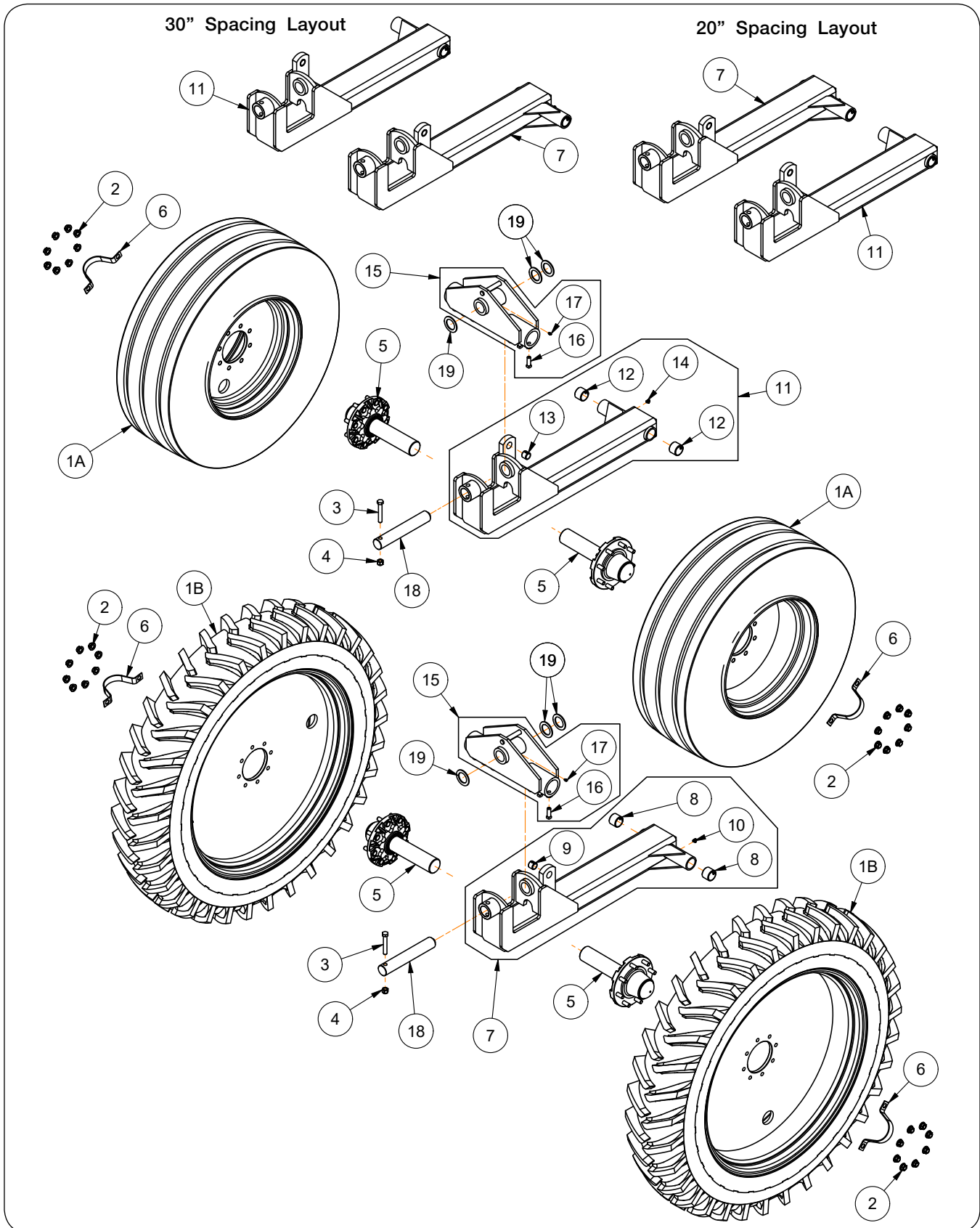
Main Frame Components

Please visit www.unverferth.com/parts/ for the most current parts listing.

ITEM	PART NUMBER	DESCRIPTION	QTY	NOTES
1	9390-130	Capscrew, 5/8"-11UNC x 3 1/2" G5	6	
2	9390-132	Capscrew, 5/8"-11UNC x 4" G5	4	
3	9390-189	Capscrew, 1"-8UNC x 3 1/2" G5	4	
4	9390-191	Capscrew, 1"-8UNC x 4" G5	6	
5	9398-019	Elastic Lock Nut, 5/8"-11UNC	10	
6	9663	Lock Nut/Top, 1"-8UNC	6	
7	9802	Lock Nut/Top, 3/4"-10UNC	8	
8	JAM4415	Hose Retainer Open Loop	2	
9	JAM4442	Hose Retainer Closed Loop	2	
10	JAM4563	Bolt-On Cylinder Lug	1	
11	JAM6179	Cylinder Lug Support Linkage	4	
12	JAM6202	Bolt-On Cylinder Lug w/Notch	2	
13	JBM3485	Pin, 1 3/4" Dia. x 12 1/8"	4	
14	JBM3565	Pin, 2" Dia. x 10 1/4"	2	
15	JBM3664	Pin, 1 3/4" Dia. x 16 9/16"	2	
16	JBP3205	Machinery Bushing 2 1/2" OD x 1 3/4" ID x 10GA	8	
17	JBP3350	U-Bolt, 3/4"-10UNC x 7 11/16", 6 13/16CC	4	
18	9390-057	Capscrew, 3/8"-16UNC x 1 1/2" G5	8	
19	95142	U-Bolt, 3/8"-16UNC x 4", 6 7/16CC	4	
20	9928	Lock Nut/Top, 3/8"-16UNC	50	
21	JAM4015	Hose Retainer Closed Loop 6" & 7" Mounting	28	
22	JBP3351	U-Bolt, 3/8"-16UNC x 7", 6 7/16CC	17	

Main Frame Transport Wheel Components

Please visit www.unverferth.com/parts/ for the most current parts listing.



Main Frame Transport Wheel Components

Please visit www.unverferth.com/parts/ for the most current parts listing.

ITEM	PART NUMBER	DESCRIPTION	QTY	NOTES
1A	111274SM	Wheel & Tire Assembly 11.75 x 22.5/65 x 22.5	4	Includes Valve Stem, Tire & Wheel
	93300	Valve Stem	1	
	N/A	Tire 385/65R22.5F 163D I-1	1	
	111146SM	Wheel 11.75 x 22.5	1	
1B	111272SM	Wheel and Tire Assembly 10x38 TL12.4B38G 14-PLY R-1	4	Includes Valve Stem, Tire & Wheel
	93300	Valve Stem	1	
	N/A	Tire TL12.4B38G 14-Ply R-1	1	
	111138SM	Wheel 10x38 (8 Bolt)	1	
2	9002237	Flange Nut, 5/8"-18UNF G8	32	
3	9390-132	Capscrew, 5/8"-11UNC x 4" G5	2	
4	9398-019	Elastic Lock Nut, 5/8"-11UNC	2	
5	JAAM2800-1	Hub and Spindle Assembly	4	Refer to Hub & Spindle Components Parts Pages
6	JAM4597	Hub Cap Strap	4	
7	JAM6173	Wheel Leg Weldment, LH	1	Includes Items 8, 9, & 10
8	JBP3538	Split Tension Bushing 2" OD x 1 3/4" ID x 1 1/2"	2	
9	91268	Split Tension Bushing 1 1/4" OD x 1" ID x 1"	1	
10	93415	Grease Zerk 90°	1	
11	JAM6174	Wheel Leg Weldment, RH	1	Includes Items 12, 13, & 14
12	JBP3538	Split Tension Bushing 2" OD x 1 3/4" ID x 1 1/2"	2	
13	91268	Split Tension Bushing 1 1/4" OD x 1" ID x 1"	1	
14	93415	Grease Zerk 90°	1	
15	JAM6198	Duals, Rocker with Spindle Loops For 2 3/4" Spindle	2	Includes Items 16 & 17
16	JBP3079	Set Screw 5/8"-11UNC x 1 3/4"	6	
17	91160	Grease Zerk 1/4"-28 STT	1	
18	JBM3640	Pin, 2" Dia. x 12 5/8"	2	
19	JBP3599	Machinery Bushing 3" OD x 2" ID x 10GA	6	

NOTE: 30" row spacing

Outside and inside wheels, valve stems to the inside of the dual.

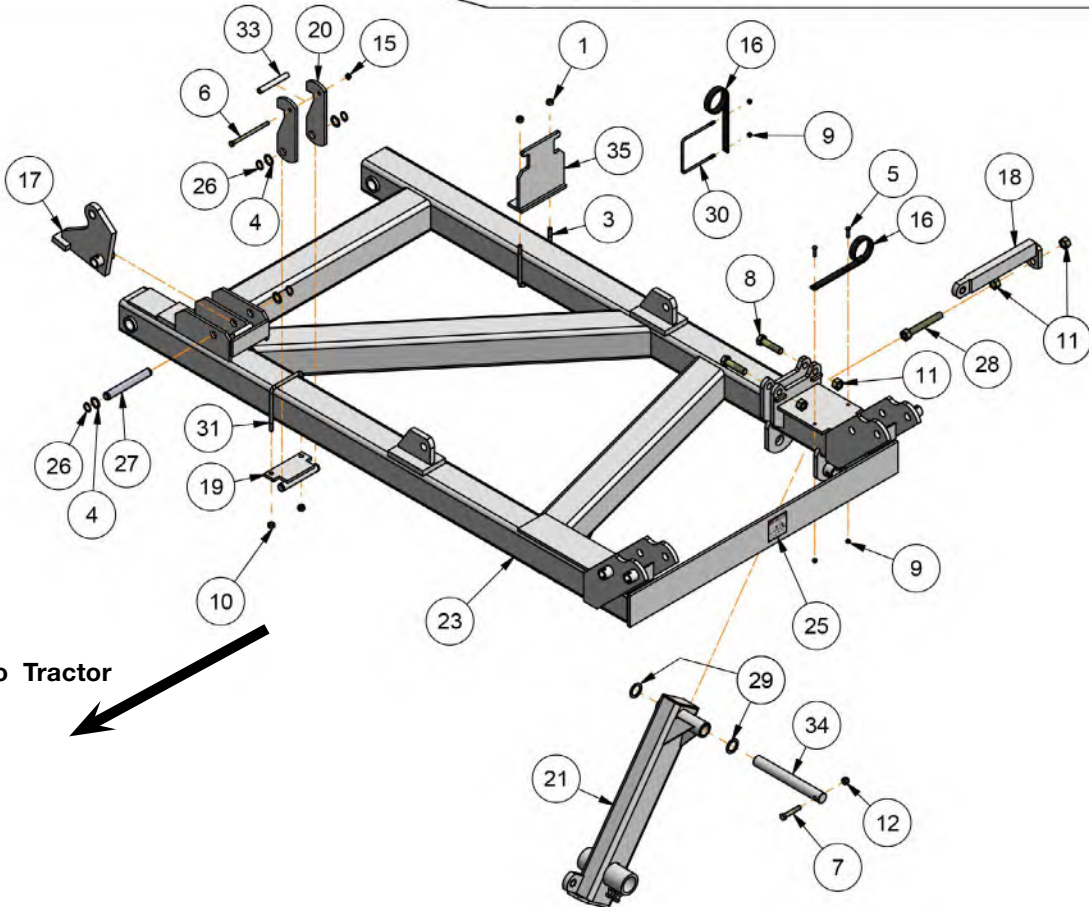
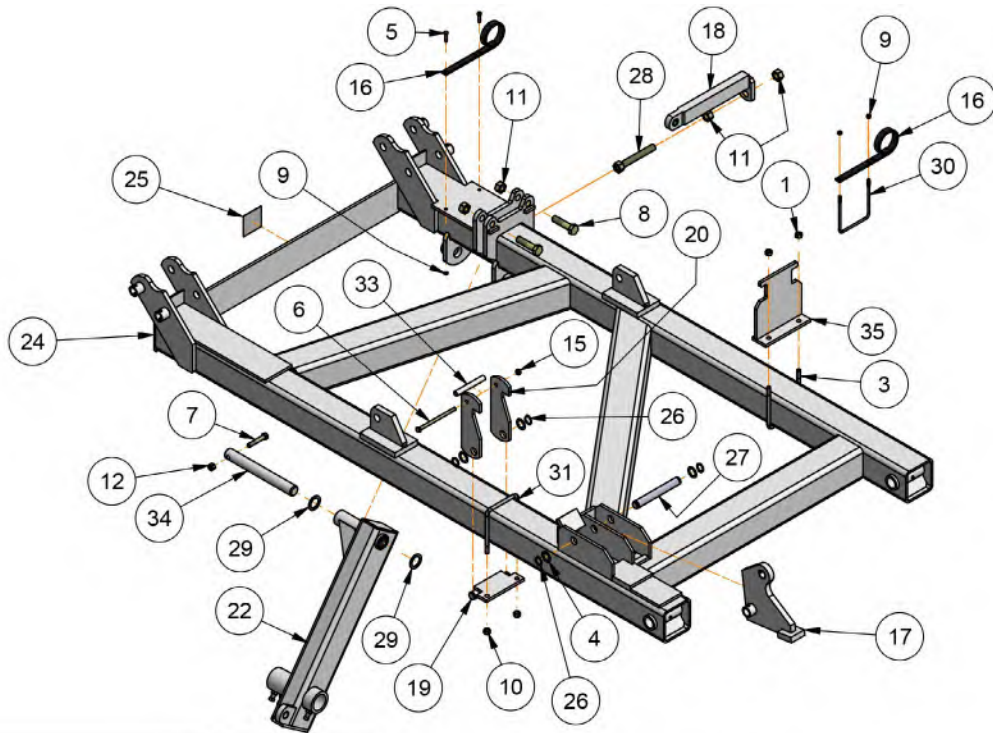
NOTE: 20" row spacing swap wheel legs from left to right

Outside wheel, valve stems to outside of the dual.

Inside wheels valve stems to inside of the dual.

Primary Wing Components

Please visit www.unverferth.com/parts/ for the most current parts listing.



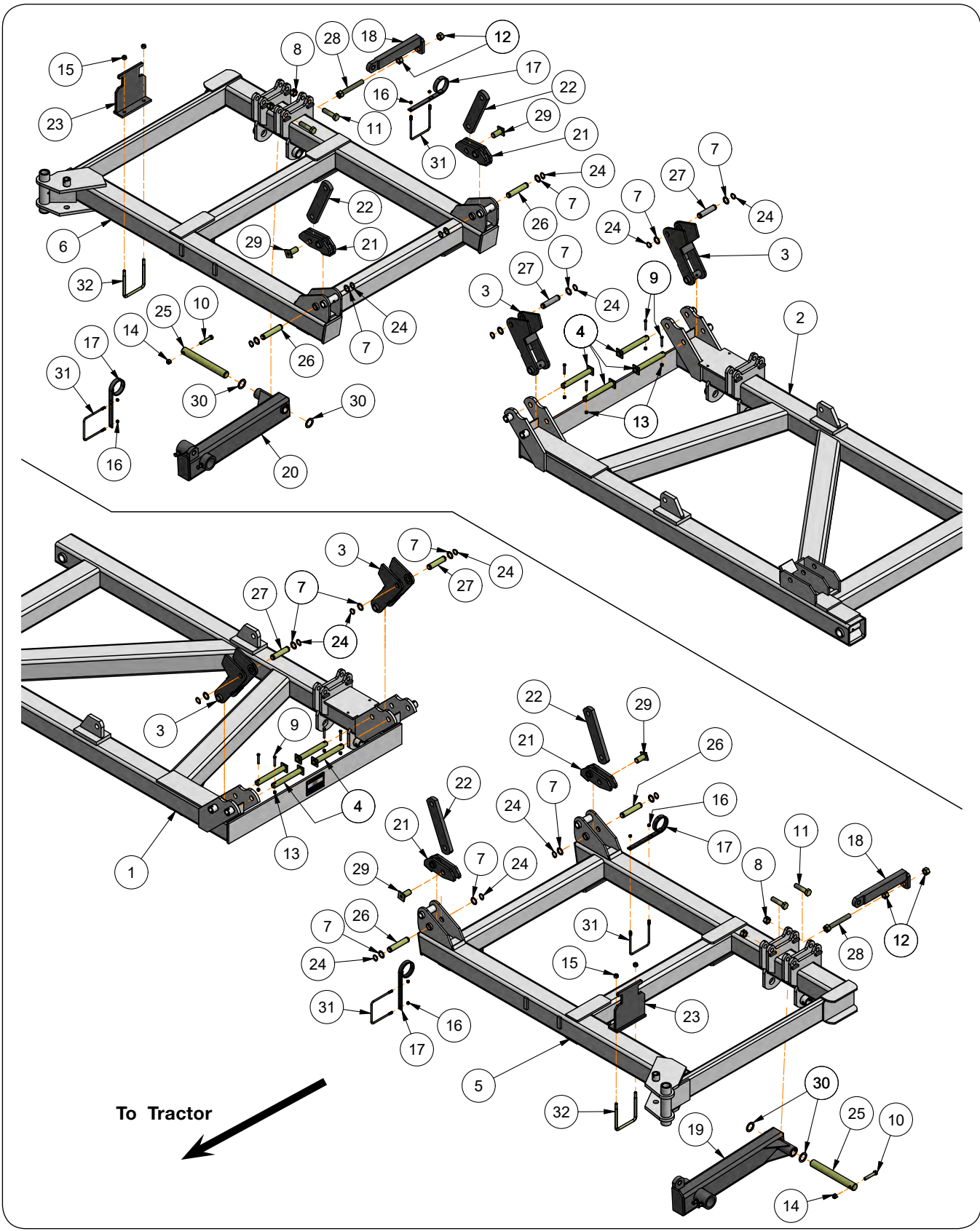
Primary Wing Components

Please visit www.unverferth.com/parts/ for the most current parts listing.

ITEM	PART NUMBER	DESCRIPTION	QTY	NOTES
1	9801	Lock Nut/Top, 5/8"-11UNC	16	
2	9404-029	Lock Washer, 5/8"	16	
3	JBP3354	U-Bolt 5/8"-11UNC x 7 3/4", 6 11/16"CC	2	
4	91174	Machinery Bushing, 1 7/8" OD x 1 1/4" ID x 14GA	12	
5	9390-057	Capscrew, 3/8"-16UNC x 1 1/2" G5	6	
6	9390-119	Capscrew, 1/2"-13UNC x 8" G5	2	
7	9390-130	Capscrew, 5/8"-11UNC x 3 1/2" G5	6	
8	9390-191	Capscrew, 1"-8UNC x 4" G5	6	
9	9928	Lock Nut/Top, 3/8"-16UNC	46	
10	9801	Lock Nut/Top, 5/8"-11UNC	16	
11	92199	Lock Nut/Center, 1"-8UNC	14	
12	9398-019	Elastic Lock Nut, 5/8"-11UNC	10	
13	N/A		-	
14	N/A		-	
15	9800	Lock Nut/Top, 1/2"-13UNC	2	
16	JAM4015	Hose Retainer Closed Loop 6" & 7" Mounting	20	
17	JAM4524	Rocker Plate Weldment	2	
18	JAM4564	Cylinder Lug Weldment, Screw Adjust	2	
19	JAM4566	Secondary Wing Latch Pivot Weldment	2	
20	JAM4568	Secondary Wing Lock Plate	4	
21	JAM6163	Wheel Leg LH Weldment w/Single Loop	1	
22	JAM6164	Wheel Leg RH Weldment w/Single Loop	1	
23	JAM6187BB	Primary Wing, LH	1	
24	JAM6188BB	Primary Wing, RH	1	
25	97337	Decal, WARNING (Wings)	2	
26	JAP2711	Snap Ring 1 1/4", External Heavy-Duty Retaining Ring	12	
27	JBM3544	Pin, 1 1/4" Dia. x 9"	2	
28	JBM3555	Hex Bolt Weldment 1"-8UNC x 7 5/16"	2	
29	JBP3205	Machinery Bushing, 2 1/2" OD x 1 3/4" ID x 10GA	8	
30	JBP3351	U-Bolt, 3/8"-16UNC x 7", 6 7/16"CC	18	
31	JBP3354	U-Bolt, 5/8"-11UNC x 7 3/4", 6 11/16"CC	2	
32	N/A		-	
33	JAM4567	Spacer Pipe	2	
34	JBM3497	Pin, 1 3/4" Dia. x 14 3/4"	2	
35	JAM6181	Wing Rest and Latch Weldment	2	

Secondary Wings and Linkage Components

Please visit www.unverferth.com/parts/ for the most current parts listing.



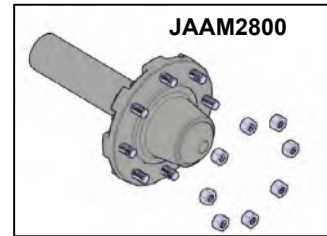
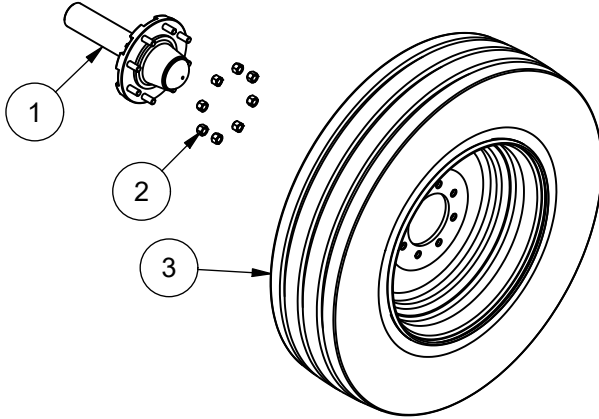
Secondary Wings and Linkage Components

Please visit www.unverferth.com/parts/ for the most current parts listing.

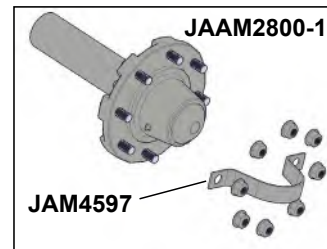
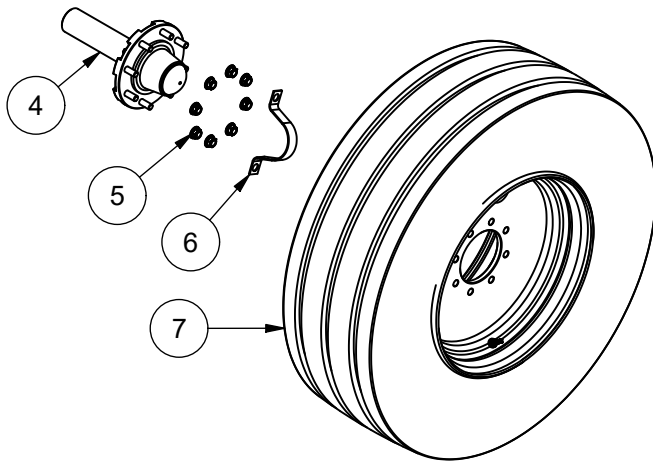
ITEM	PART NUMBER	DESCRIPTION	QTY	NOTES
1	JAM6187BB	Primary Wing Left-Hand Weldment	1	
2	JAM6188BB	Primary Wing Right-Hand Weldment	1	
3	46556B	Secondary Wing Linkage Weldment	2	
4	46571	Pin, 1 1/4" Dia. x 10 1/16"	4	
5	46819BB	Secondary Wing Left-Hand Weldment w/Hinge	1	
6	46820BB	Secondary Wing Right-Hand Weldment w/Hinge	1	
7	91174	Machinery Bushing, 1 7/8" OD x 1 1/4" ID x 14GA	8	
8	92199	Lock Nut/Center, 1"-8UNC	4	
9	9390-061	Capscrew, 3/8"-16UNC x 2 1/2" G5	4	
10	9390-130	Capscrew, 5/8"-11UNC x 3 1/2" G5	1	
11	9390-191	Capscrew, 1"-8UNC x 4" G5	2	
12	9394-020	Hex Nut, 1"-8UNC	4	
13	9398-012	Elastic Lock Nut, 3/8"-16UNC	4	
14	9398-019	Elastic Lock Nut, 5/8"-11UNC	1	
15	9801	Hex Nut, 5/8"-11UNC	2	
16	9928	Hex Nut, 3/8"-16UNC	6	
17	JAM4015	Hose Retainer Closed Loop 6" & 7" Mounting	3	
18	JAM4564	Cylinder Lug Weldment, Screw Adjust	1	
19	JAM6163	Wheel Leg Left-Hand Weldment w/Single Loop	1	
20	JAM6164	Wheel Leg RH Weldment w/Single Loop	1	
21	JAM6170	180° Fold Rocker Weldment	2	
22	JAM6171	Single Rocker Wing Fold Linkage Weldment	2	
23	JAM6181	Wing Rest and Latch Weldment	1	
24	JAP2711	Snap Ring 1 1/4", External Heavy-Duty Retaining Ring	8	
25	JBM3497	Pin, 1 3/4" Dia. x 14 3/4"	1	
26	JBM3547	Pin, 1 1/4" Dia. x 5 3/4"	4	
27	JBM3548	Pin, 1 1/4" Dia. x 4 3/4"	4	
28	JBM3555	Hex Bolt Weldment 1"-8UNC x 7 5/16"	1	
29	JBM3639	Pin Weldment, 1 1/4" Dia. x 2 5/8"	2	
30	JBP3205	Machinery Bushing, 2 1/2" OD x 1 3/4" ID x 10GA	2	
31	JBP3351	U-Bolt, 3/8"-16UNC x 7", 6 7/16CC	3	
32	JBP3354	U-Bolt, 5/8"-11UNC x 7 3/4", 6 11/16CC	1	

Wing Gauge Wheel Components

Please visit www.unverferth.com/parts/ for the most current parts listing.



NOTE: JAAM2800
(With tapered wheel nuts) and **295/75R22.5** gauge wheel tires. Do not use JAM4597 with tapered wheel nuts.



NOTE: JAAM2800-1
(With flange lock nuts) and JAM4597 hub cap strap are used only with **385/65R22.5** gauge wheel tires.

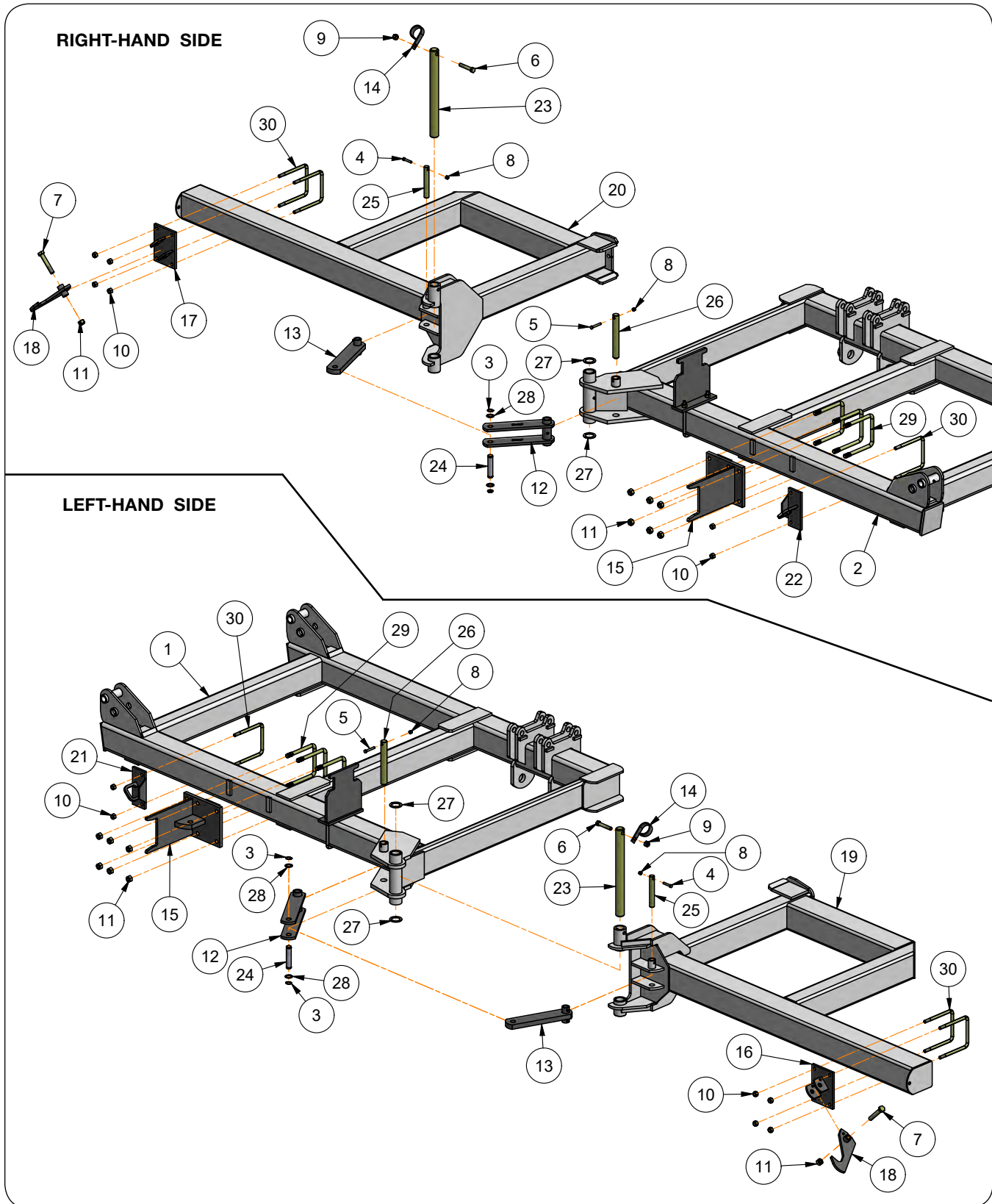
Wing Gauge Wheel Components

Please visit www.unverferth.com/parts/ for the most current parts listing.

ITEM	PART NUMBER	DESCRIPTION	QTY	NOTES
1	JAAM2800	Hub and Spindle Assembly For 295/75R22.5 Tires	4	Refer to Hub & Spindle Components Parts Pages
2	9610	Wheel Nut, 5/8"-18UNF	32	
3	111275SM	Wheel & Tire Assembly 8.25 x 22.5/10.6 x 22.5	4	Includes Valve Stem, Tire & Wheel
	9817	Valve Stem	1	
	N/A	Tire 295/75R22.5F 151D I-1	1	
	W8.2522.5-8	Wheel 8.25 x 22.5	1	
4	JAAM2800-1	Hub and Spindle Assembly For 385/65R22.5 Tires	4	Refer to Hub & Spindle Components Parts Pages
5	9002237	Flange Nut, 5/8"-18UNF G8	32	
6	JAM4597	Hub Cap Strap	4	
7	111274SM	Wheel & Tire Assembly 11.75 x 22.5/65 x 22.5	4	Includes Valve Stem, Tire & Wheel
	93300	Valve Stem	1	
	N/A	Tire 385/65R22.5F 163D I-1	1	
	111146SM	Wheel 11.75 x 22.5	1	

Third Wing and Linkage Components

Please visit www.unverferth.com/parts/ for the most current parts listing.



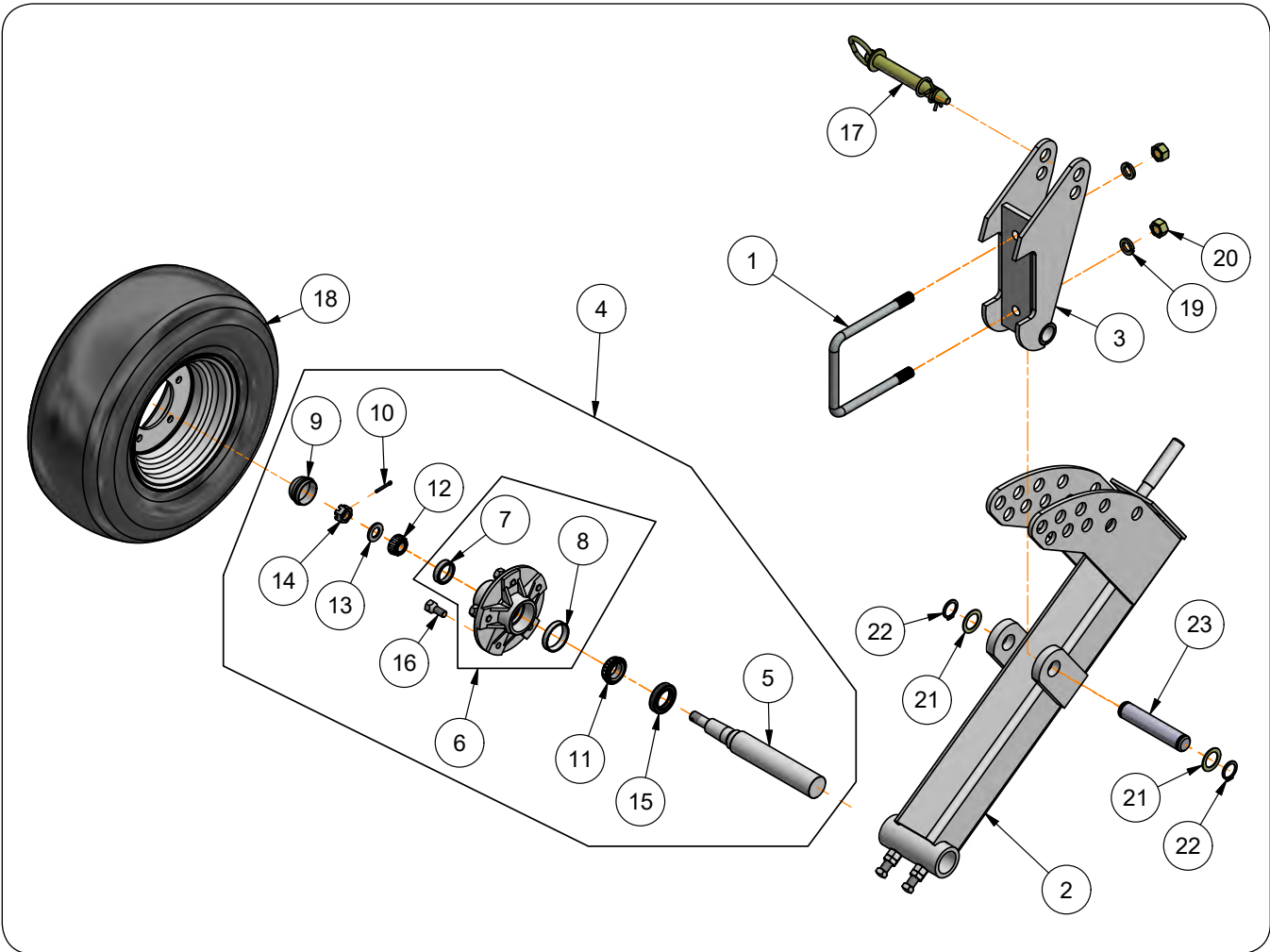
Third Wing and Linkage Components

Please visit www.unverferth.com/parts/ for the most current parts listing.

ITEM	PART NUMBER	DESCRIPTION	QTY	NOTES
1	46819BB	Secondary Wing Left-Hand Weldment w/Hinge	1	
2	46820BB	Secondary Wing Right-Hand Weldment w/Hinge	1	
3	91192	Retaining Ring, 1"	4	
4	9390-059	Capscrew, 3/8"-16UNC x 2" G5	2	
5	9390-061	Capscrew, 3/8"-16UNC x 2 1/2" G5	2	
6	9390-130	Capscrew, 5/8"-11UNC x 3 1/2" G5	2	
7	9390-154	Capscrew, 3/4"-10UNC x 4 1/2" G5	2	
8	9398-012	Elastic Lock Nut, 3/8"-16UNC	4	
9	9398-019	Elastic Lock Nut, 5/8"-11UNC	2	
10	9801	Lock Nut/Top, 5/8"-11UNC	12	
11	9802	Lock Nut/Top, 3/4"-10UNC	14	
12	JAM3601	Double Wing Fold Linkage Weldment w/Grease Zerk	2	
	91160	Grease Zerk	1	
13	JAM3602	Single Wing Fold Linkage Weldment w/Grease Zerk	2	
	91160	Grease Zerk	2	
14	JAM4442	Hose Retainer (Closed Loop)	2	
15	JAM6154	Third Wing Cylinder Lug and Saddle	2	
16	JAM6155	Wing Latch Mounting, Left-Hand	1	
17	JAM6156	Wing Latch Mounting, Right-Hand	1	
18	JAM6157	Wing Latch Hook Weldment	2	
19	JAM6166BB	Third Wing Weldment Left-Hand	1	
20	JAM6167BB	Third Wing Weldment Right-Hand	1	
21	JAM6205	Wing Latch Left-Hand Weldment	1	
22	JAM6206	Wing Latch Right-Hand Weldment	1	
23	JBM3461	Pin, 1 3/4" Dia. x 19 3/4"	2	
24	JBM3543	Pin, 1" Dia. x 4 5/16"	2	
25	JBM3563	Pin, 1" Dia. x 7"	2	
26	JBM3816	Pin, 1 1/4" Dia. x 9 13/16"	2	
27	JBP3205	Machinery Bushing, 2 1/2" OD x 1 3/4" ID x 10GA	4	
28	JBP3215	Machinery Bushing, 1 1/2" OD x 1" ID x 14GA	4	
29	JBP3350	U-Bolt, 3/4"-10UNC x 6"W x 7 11/16"L	6	
30	JBP3354	U-Bolt, 5/8"-11UNC x 7 3/4", 6 11/16"CC	6	

Swing Adjust Gauge Wheel Components

Please visit www.unverferth.com/parts/ for the most current parts listing.



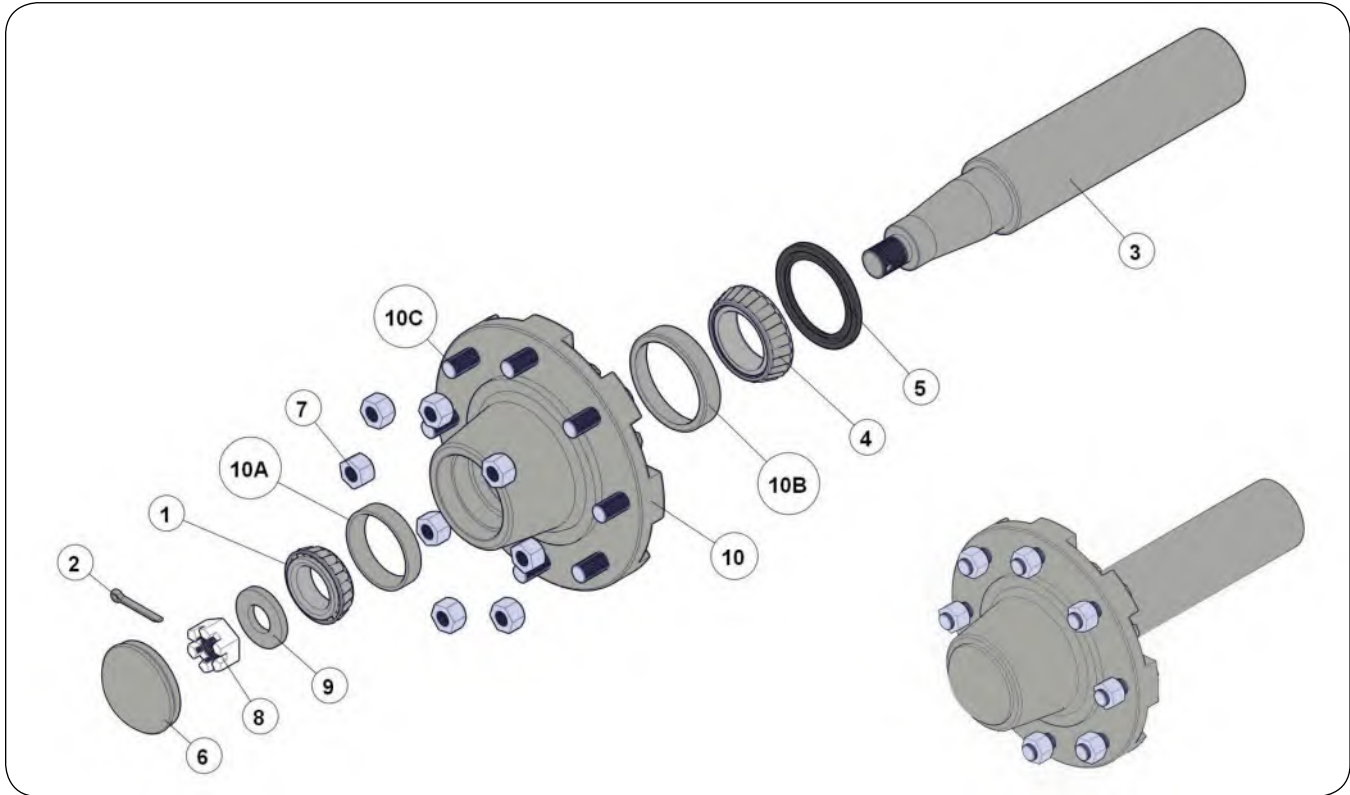
Swing Adjust Gauge Wheel Components

Please visit www.unverferth.com/parts/ for the most current parts listing.

ITEM	PART NUMBER	DESCRIPTION	QTY	NOTES
1	JBP3350	U-Bolt, 3/4"-10UNC x 6"W x 7 11/16"L	2	
2	JAM7581	Wheel Leg Weldment	2	
3	JAM6186	Swing Adjust Gauge Wheel Mounting Bracket	2	
4	JAAM2707	Hub and Spindle Assembly	2	Refer to Hub & Spindle Components Parts Pages Includes Items 5-16
5	JAP2169	Spindle 1 3/4" Dia. x 13"	1	
6	9503449B	Hub 5 Bolt Sub-Assembly	1	Includes Items 7, 8, 11, 12, 13, 15, 16
7	9784	Bearing Cup 1.781" OD (LM11910)	1	
8	9345	Bearing Cup 2.328" OD (LM67010)	1	
9	9787	Hub Cap	1	
10	9391-034	Cotter Pin 5/32" Dia. x 1 1/4"	1	
11	9165	Bearing Cone 1.250" Bore (LM67048)	1	
12	9789	Bearing Cone 0.750" ID (LM11949)	1	
13	91050	Flat Washer 1.469" OD x .812" ID	1	
14	9393-016	Slotted Nut 3/4"-16UNF	1	
15	JAP2747	Seal, Double Lip	1	
16	91829	Wheel Bolt, 1/2"-20UNF x 1 5/8"	5	
17	95109	Hitch Pin 1" Dia. x 7" w/Hairpin	2	
18	9503258SM	Wheel & Tire Assembly, 6x10, TL20.5x8.0B10	2	
19	9404-033	Lock Washer, 3/4"	4	
20	9394-016	Hex Nut, 3/4"-10UNC	4	
21	91174	Machinery Bushing, 1 7/8" OD x 1 1/4" ID x 14GA	4	
22	JAP2711	Snap Ring 1 1/4", External Heavy-Duty Retaining Ring	4	
23	JBM3547	Pin, 1 1/4" Dia. x 5 3/4"	2	

**Hub and Spindle Components (JAAM2800)
For 295/75R22.5 Tires**

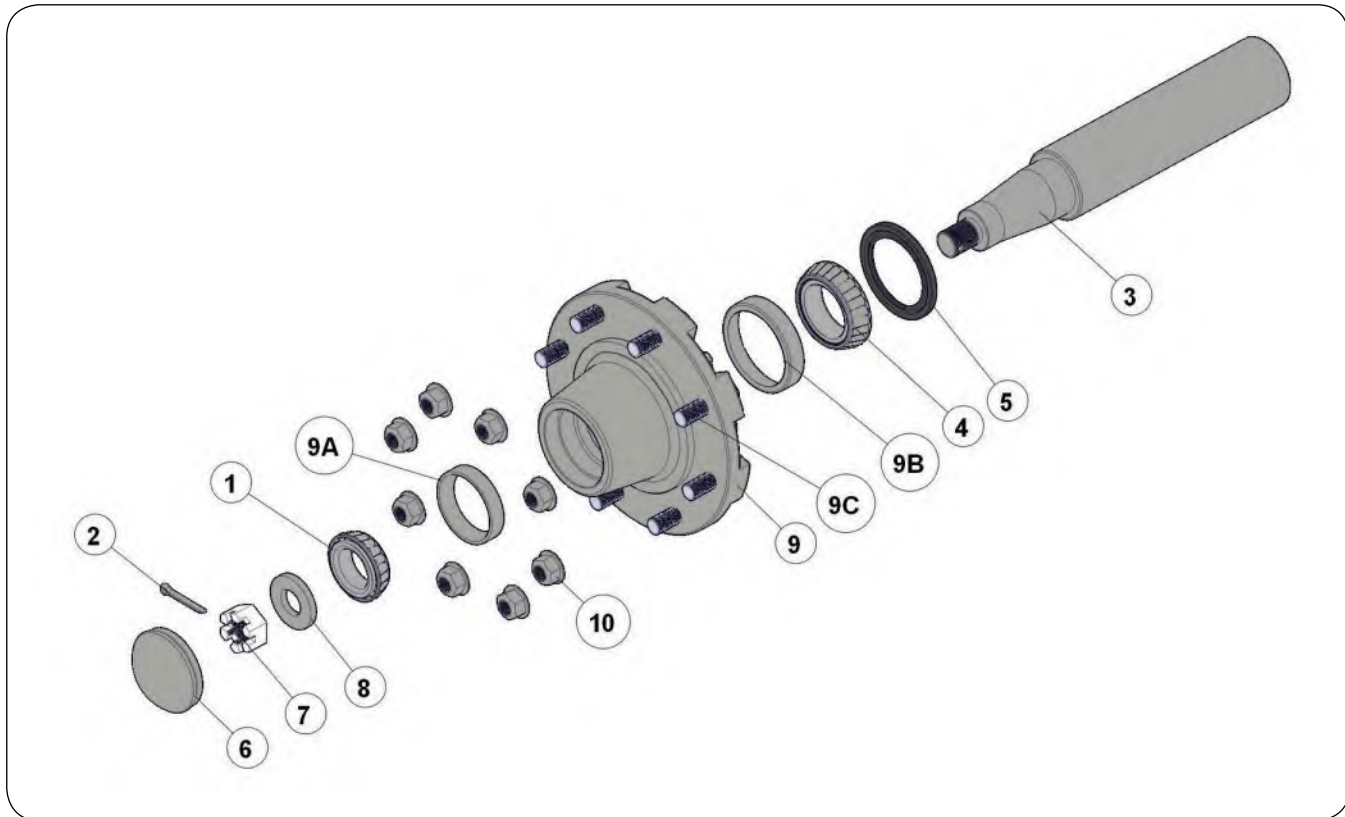
Please visit www.unverferth.com/parts/ for the most current parts listing.



ITEM	PART NUMBER	DESCRIPTION	QTY	NOTES
1	9247	Bearing Cone, 1.625" Bore (LM501349)	1	
2	TA37809	Cotter Pin, 7/32" Dia. x 1 3/4"	1	
3	JAP2171	Spindle, 2 3/4" x 16"	1	
4	92610	Bearing Cone, 2.165" Bore (JLM506849)	1	
5	92612	Seal (CR27394)	1	
6	9442B	Hub Cap, 3.125" Dia.	1	
7	9610	Wheel Nut, 5/8"-18UNF G5	8	
8	9393-020	Slotted Nut, 1"-14UNS	1	
9	9448	Flat Washer, 1"	1	
10	91854	Hub with Cups, 8-Bolt (2816390)	1	Includes 10A, 10B, 10C
10A	9349	Bearing Cup, 2.891" OD (LM501310)	1	
10B	91809	Bearing Cup, 3.5433" OD (JLM506810)	1	
10C	9007746	Stud Bolt, 5/8"-18UNF x 2 1/4" G5	8	

**Hub and Spindle Components (JAAM2800-1)
For 385/65R22.5 Tires**

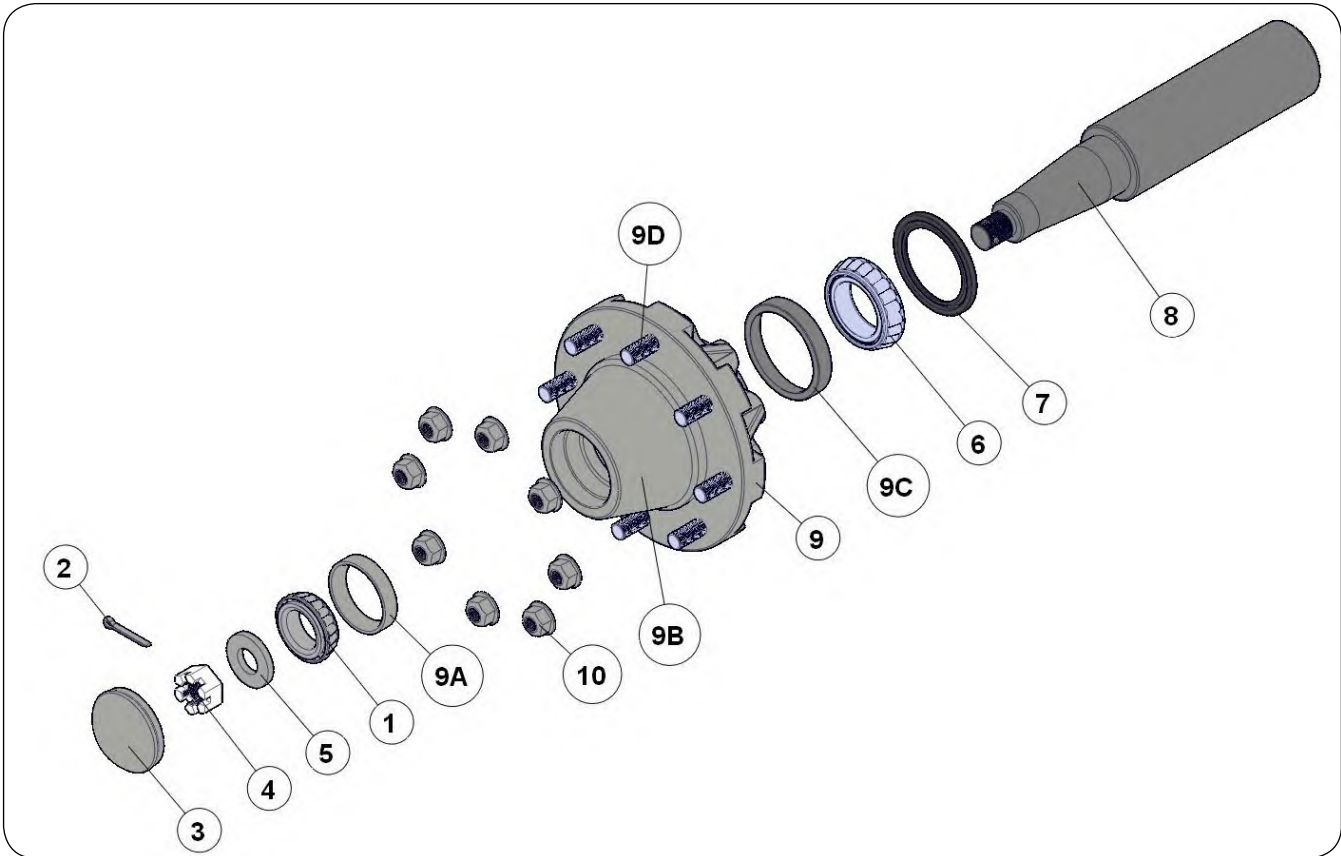
Please visit www.unverferth.com/parts/ for the most current parts listing.



ITEM	PART NUMBER	DESCRIPTION	QTY	NOTES
1	9247	Bearing Cone, 1.625" Bore (LM501349)	1	
2	TA37809	Cotter Pin, 7/32" Dia. x 1 3/4"	1	
3	JAP2171	Spindle, 2 3/4" x 16"	1	
4	92610	Bearing Cone, 2.165" Bore (JLM506849)	1	
5	92612	Seal (CR27394)	1	
6	9442B	Hub Cap, 3.125" Dia.	1	
7	9393-020	Slotted Nut, 1"-14UNS	1	
8	9448	Flat Washer, 1"	1	
9	91854	Hub with Cups, 8-Bolt (2816390)	1	Includes 9A, 9B, 9C
9A	9349	Bearing Cup, 2.891" OD (LM501310)	1	
9B	91809	Bearing Cup, 3.5433" OD (JLM506810)	1	
9C	9007746	Stud Bolt, 5/8"-18UNF x 2 1/4" G5	8	
10	9002237	Flange Nut, 5/8"-18UNF G8	8	

**Hub and Spindle Components (JAAM2788-1)
For 385/85R34 Tires**

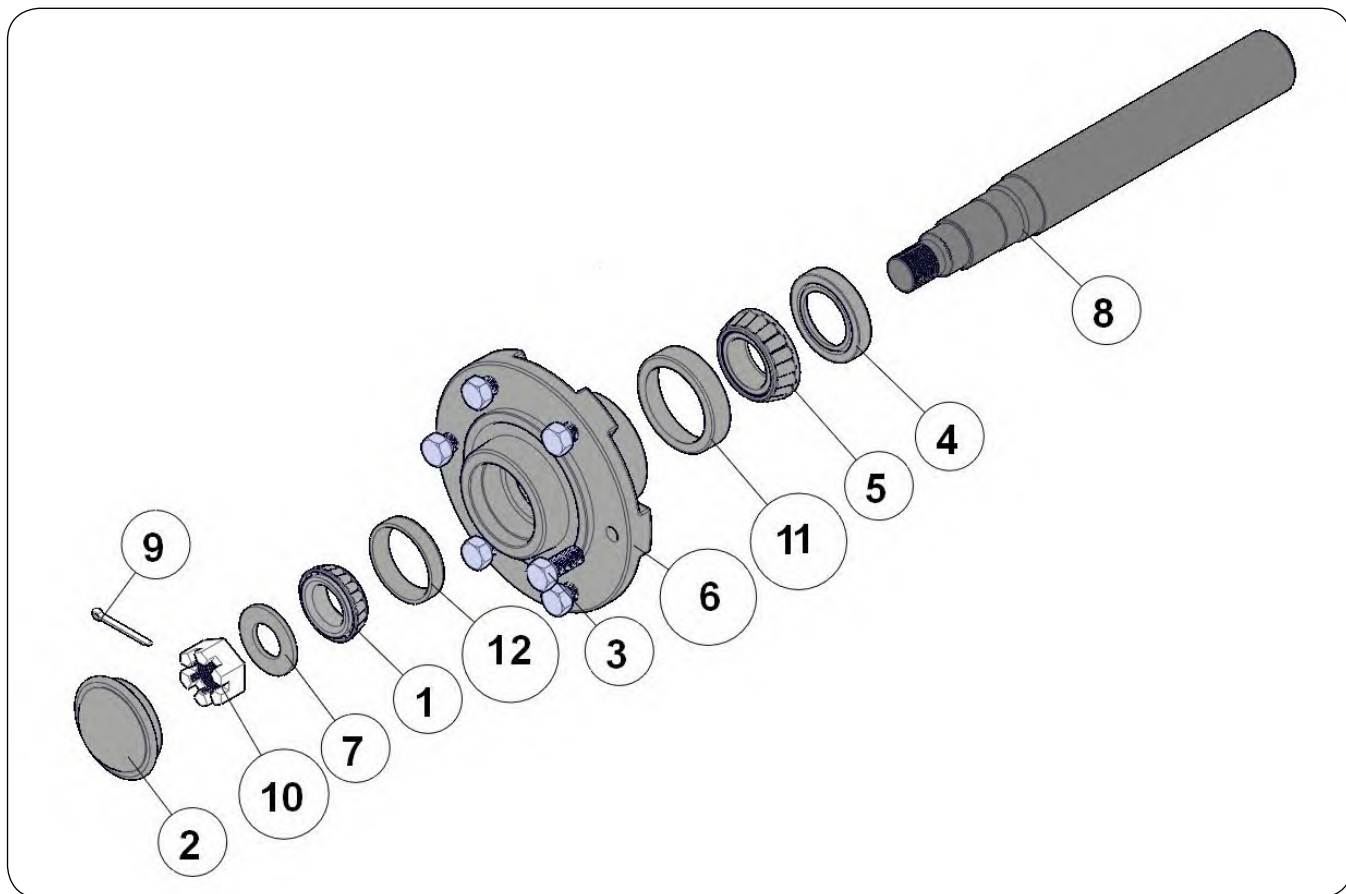
Please visit www.unverferth.com/parts/ for the most current parts listing.



ITEM	PART NUMBER	DESCRIPTION	QTY	NOTES
1	9247	Bearing Cone, 1.625" Bore (LM501349)	1	
2	TA37809	Cotter Pin, 7/32" Dia. x 1 3/4"	1	
3	9442B	Hub Cap, 3.125" Dia.	1	
4	9393-020	Slotted Nut, 1"-14UNS	1	
5	9448	Flat Washer, 1"	1	
6	9443	Bearing Cone, 2.25" ID (387AS)	1	
7	9445	Seal (29968)	1	
8	JAP2941	Spindle, 3" x 16"	1	
9	9441	Hub with Cups, 8-Bolt (107901)	1	Includes 9A, 9B, 9C, 9D
9A	9349	Bearing Cup, 2.891" OD (LM501310)	1	
9B	9612	Bearing Cup, 3.813" OD (382-A)	1	
9C	9223	Stud Bolt, 5/8"-18UNF x 2.75" G8	8	
9D	N/A	Hub, 8-Bolt	1	
10	9002237	Flange Nut, 5/8"-18UNF G8	8	

Hub and Spindle Components (JAAM2705), 611 Model Hub

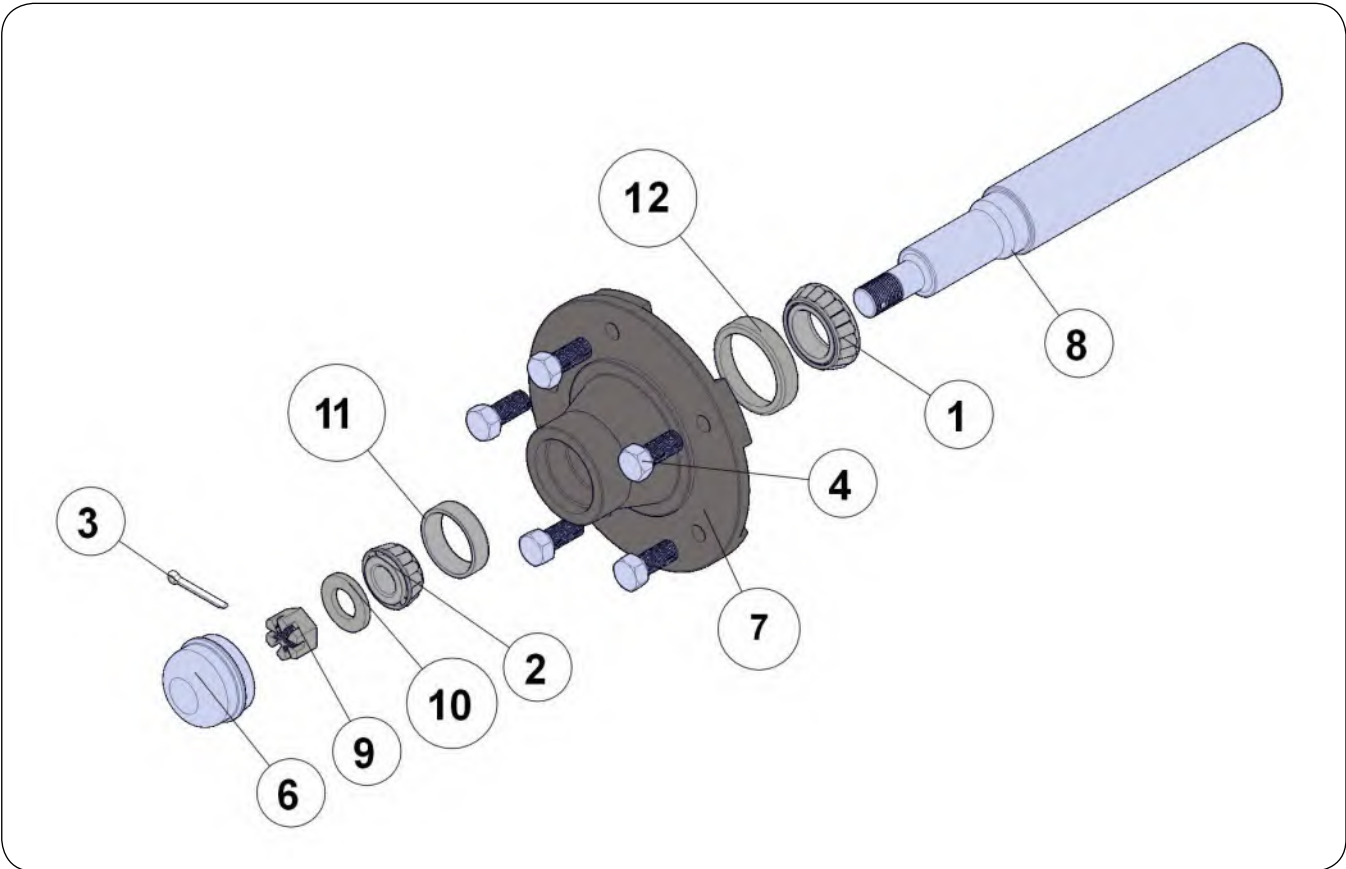
Please visit www.unverferth.com/parts/ for the most current parts listing.



ITEM	PART NUMBER	DESCRIPTION	QTY	NOTES
1	9165	Bearing Cone, 1.25" Bore (LM67048)	1	
2	9162	Hub Cap	1	
3	91831	Wheel Bolt, 1/2"-20UNF x 1 1/4" G5	6	
4	91833	Seal (CR16289)	1	
5	91818	Bearing Cone, 1.496" ID (JL69349)	1	
6	9503448B	Hub Assembly, 6-Bolt	1	Includes 1, 3, 4, 5, 7, 11, 12
7	JAP2146	Flat Washer, 1"	1	
8	JAP2168	Spindle, 1 3/4" Dia. x 14"	1	
9	9391-036	Cotter Pin, 5/32" Dia. x 1 3/4"	1	
10	9393-020	Slotted Nut, 1"-14UNS	1	
11	91815	Bearing Cup, 2.480" OD (JL69310)	1	
12	9345	Bearing Cup, 2.328" OD (LM67010)	1	

Hub and Spindle Components (JAAM2707), 511 Model Hub

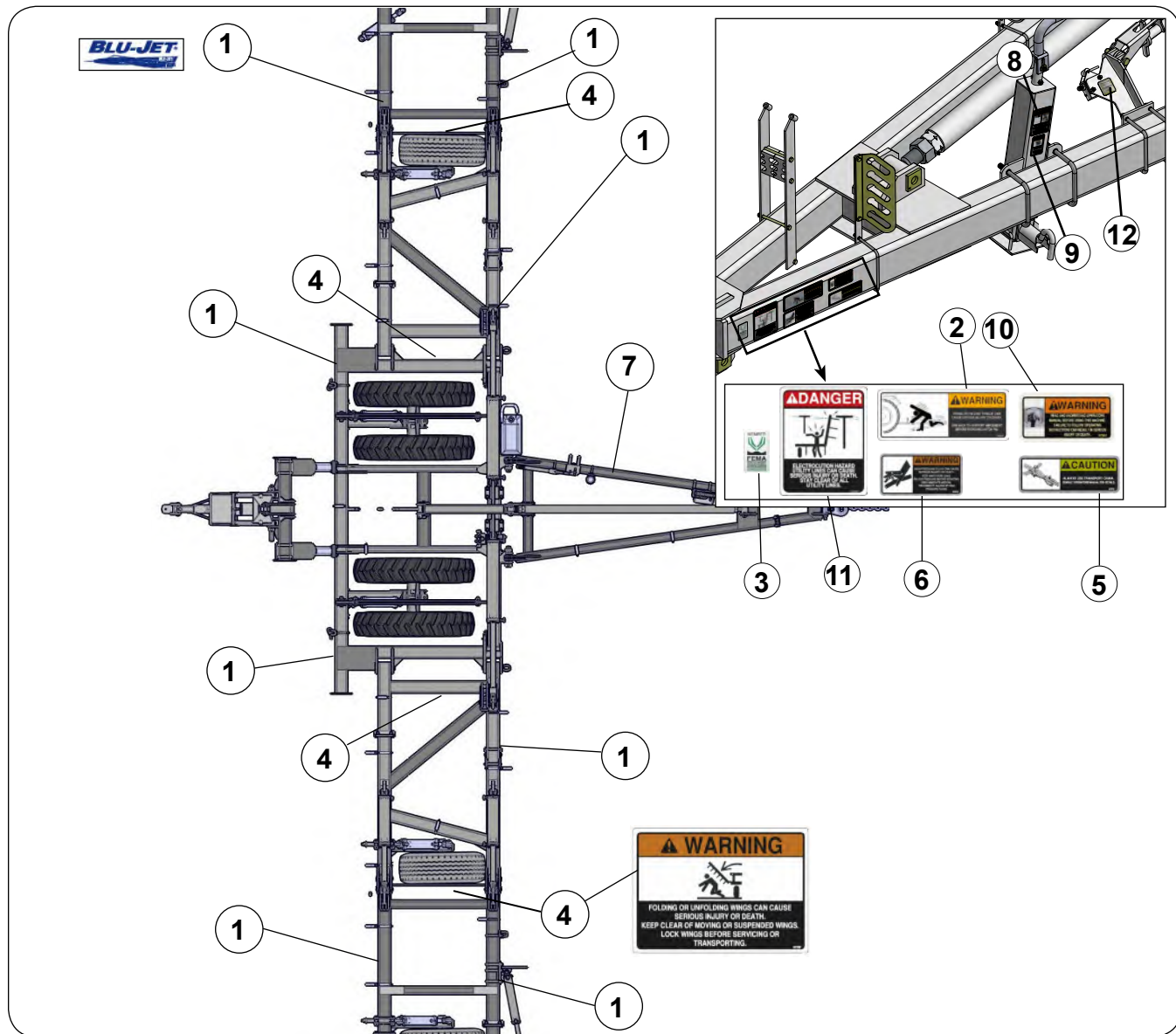
Please visit www.unverferth.com/parts/ for the most current parts listing.



ITEM	PART NUMBER	DESCRIPTION	QTY	NOTES
1	9165	Bearing Cone, 1.25" Bore (LM67048)	1	
2	9789	Bearing Cone, 0.750" ID (LM11949)	1	
3	9391-034	Cotter Pin, 5/32" Dia. x 1 1/4"	1	
4	91829	Wheel Bolt, 1/2"-20UNF x 1 5/8" G5	5	
5	JAP2747	Seal (15235TB)	1	NOT SHOWN
6	9787	Hub Cap	1	
7	9503449B	Hub with Cups, 5-Bolt	1	Includes 1, 2, 4, 5, 10, 11, 12
8	JAP2169	Spindle, 1 3/4" Dia. x 13"	1	
9	9393-016	Slotted Nut, 3/4"-16UNF	1	
10	91050	Flat Washer 1.469" OD x .812" ID	1	
11	9784	Bearing Cup, 1.780" OD (LM11910)	1	
12	9345	Bearing Cup, 2.328" OD (LM67010)	1	

Decals

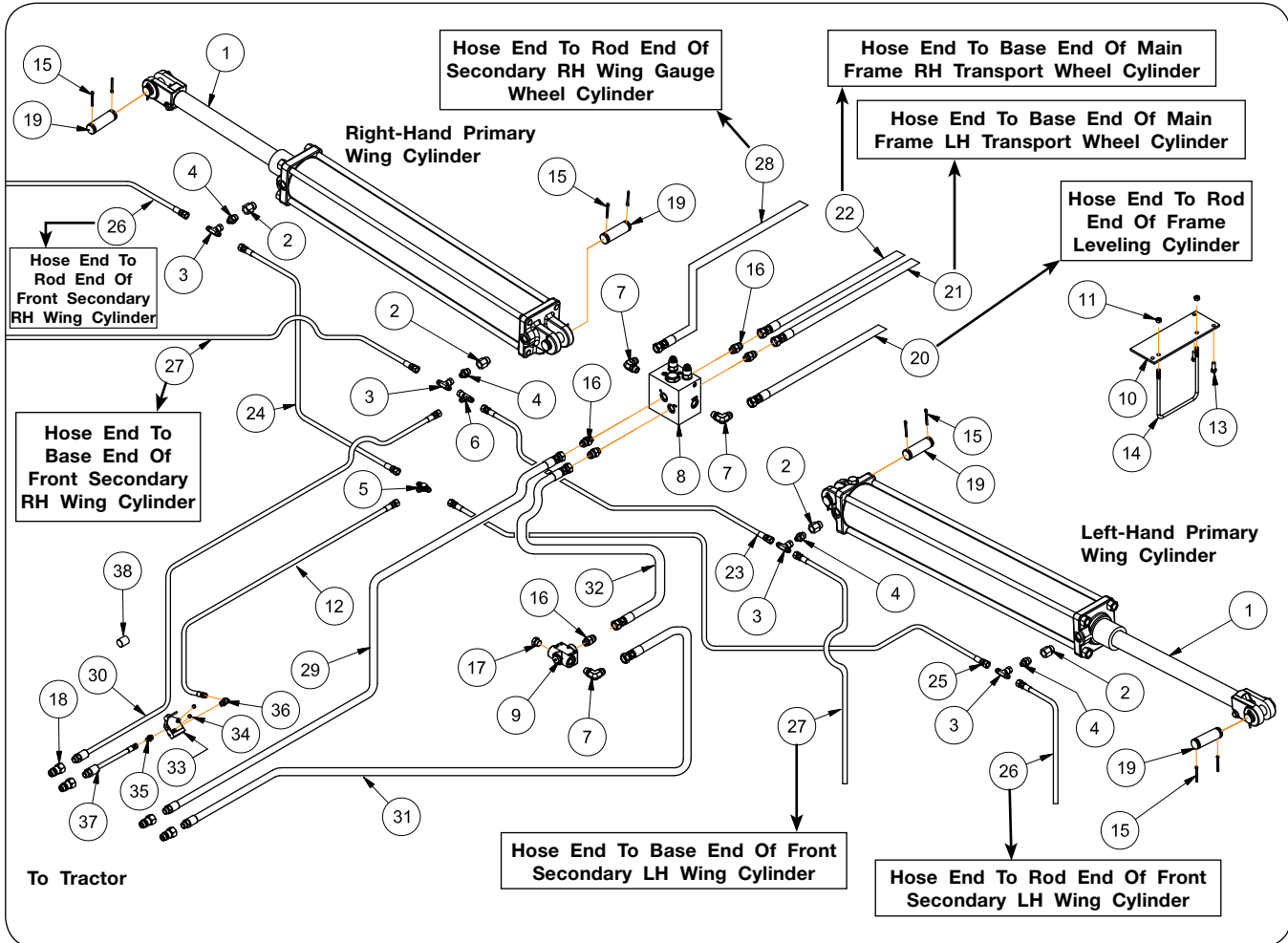
Please visit www.unverferth.com/parts/ for the most current parts listing.



ITEM	PART NUMBER	DESCRIPTION	QTY	NOTES
1	901764	Decal, UM Swoosh (3" x 7")	8	
2	94094	Decal, WARNING "Rising or Falling Tongue"	1	
3	91605	Decal, FEMA	1	
4	97337	Decal, WARNING "Folding or Unfolding Wings"	4	
5	97575	Decal, CAUTION "Transport Chain"	1	
6	95445	Decal, WARNING "High-Pressure Fluid"	1	
7	JAP2558	Decal, AT6020	2	
8	9501197	Decal, WARNING "Releasing Pin Under Load"	1	
9	97048	Decal, WARNING "Pinch Point"	1	
10	97961	Decal, WARNING "Read and Understand"	1	
11	902221	Decal, DANGER "Electrocution Hazard"	1	
12	JAP2481	Decal, Transport Lock	1	

Main Frame to Primary Wing Hydraulics

Please visit www.unverferth.com/parts/ for the most current parts listing.



Main Frame to Primary Wing Hydraulics

Please visit www.unverferth.com/parts/ for the most current parts listing.

ITEM	PART NUMBER	DESCRIPTION	QTY	NOTES
1	JDP4398-1	Cylinder 5" x 36" w/2 3/4" Spacer	2	
2	98801	Reducer 7/8-14 O-Ring Male x 3/4-16 O-Ring Female	4	
3	91525	Tee 9/16-18 JIC Male x 9/16-18 JIC Male x 9/16-18 JIC Female	6	
4	99611	Adapter 9/16-18 JIC Male x 3/4-16 O-Ring Male w/0.90 Restrictor	4	
5	9875	Tee 9/16-18 JIC Male x 9/16-18 JIC Male x 9/16-18 JIC Male	1	
6	91465	Tee 9/16-18 JIC Male x 9/16-18 JIC Female x 9/16-18 JIC Male	3	
7	98201	90° Elbow 7/8-14 JIC Male x 3/4-16 O-Ring Male	13	
8	JDP4590	Valve Assembly - Flow Divider with Holding Valves	1	
9	9002151	Remote Stroke Control Valve	1	
10	JAM6159	Flow Divider Valve Mount Bracket	1	
11	9928	Lock Nut/Top, 3/8"-16UNC	6	
12	91203	Hydraulic Hose, 3/8" x 108" (9/16-18 JIC Female x 9/16-18 JIC Female)	1	
13	9390-055	Capscrew, 3/8"-16UNC x 1" G5	2	
14	JBP3351	U-Bolt, 3/8"-16UNC x 7", 6 7/16CC	3	
15	9391-045	Cotter Pin, 3/16" Dia. x 1 3/4"	8	
16	9503026	Adapter 7/8-14 JIC Male x 3/4-16 O-Ring Male	5	
17	93657	Plug 3/4-16 O-Ring Male Hex Head	1	
18	91383	Male Tip Coupling 3/4-16 O-Ring Female	4	
19	JBP3498	Clevis Pin, 1 1/4" Dia. x 3 3/16"	4	
20	JDP4496	Hydraulic Hose, 1/2" x 114" (7/8-14 JIC Female x 7/8-14 JIC Female)	1	
21	JDP5001	Hydraulic Hose, 1/2" x 168" (7/8-14 JIC Female x 7/8-14 JIC Female)	1	
22	JDP5186	Hydraulic Hose, 1/2" x 132" (7/8-14 JIC Female x 7/8-14 JIC Female)	1	
23	JDP5308	Hydraulic Hose, 3/8" x 32" (9/16-18 JIC Female x 9/16-18 JIC Female)	1	
24	JDP5309	Hydraulic Hose, 3/8" x 43" (9/16-18 JIC Female x 9/16-18 JIC Female)	1	
25	JDP5310	Hydraulic Hose, 3/8" x 77" (9/16-18 JIC Female x 9/16-18 JIC Female)	1	
26	JDP5311	Hydraulic Hose, 3/8" x 134" (9/16-18 JIC Female x 9/16-18 JIC Female)	2	
27	JDP5312	Hydraulic Hose, 3/8" x 143" (9/16-18 JIC Female x 9/16-18 JIC Female)	2	
28	JDP5316	Hydraulic Hose, 1/2" x 353" (7/8-14 JIC Female x 7/8-14 JIC Female)	1	
29	JDP5317	Hydraulic Hose, 1/2" x 240" (7/8-14 JIC Female x 3/4-16 O-Ring Male)	1	
30	9504312	Hydraulic Hose, 3/8" x 230" (9/16-18 JIC Female x 3/4-16 O-Ring Male)	1	
31	JDP5349	Hydraulic Hose, 1/2" x 264" (7/8-14 JIC Female x 3/4-16 O-Ring Male)	1	
32	JDP5230	Hydraulic Hose, 1/2" x 42" (7/8-14 JIC Female x 7/8-14 JIC Female)	1	
33	JDP3993	Hydraulic Check Valve w/Manual Release	1	
34	9807	Lock Nut/Top, 5/16"-18UNC	2	
35	92927	Adapter, 9/16-18 JIC Male x 3/4-16 O-Ring Male	1	
36	9874	90° Elbow, 9/16-18 JIC Male x 3/4-16 O-Ring Male	1	
37	96756	Hydraulic Hose, 3/8" x 140" (9/16-18 JIC Female x 3/4-16 O-Ring Male)	1	
38	9007463	Hose Marker RED, Main Lift Down	1	
	9007464	Hose Marker RED, Main Lift Up	1	
	9007467	Hose Marker GRAY, Wing Fold In	1	
	9007468	Hose Marker GRAY, Wing Fold Out	1	

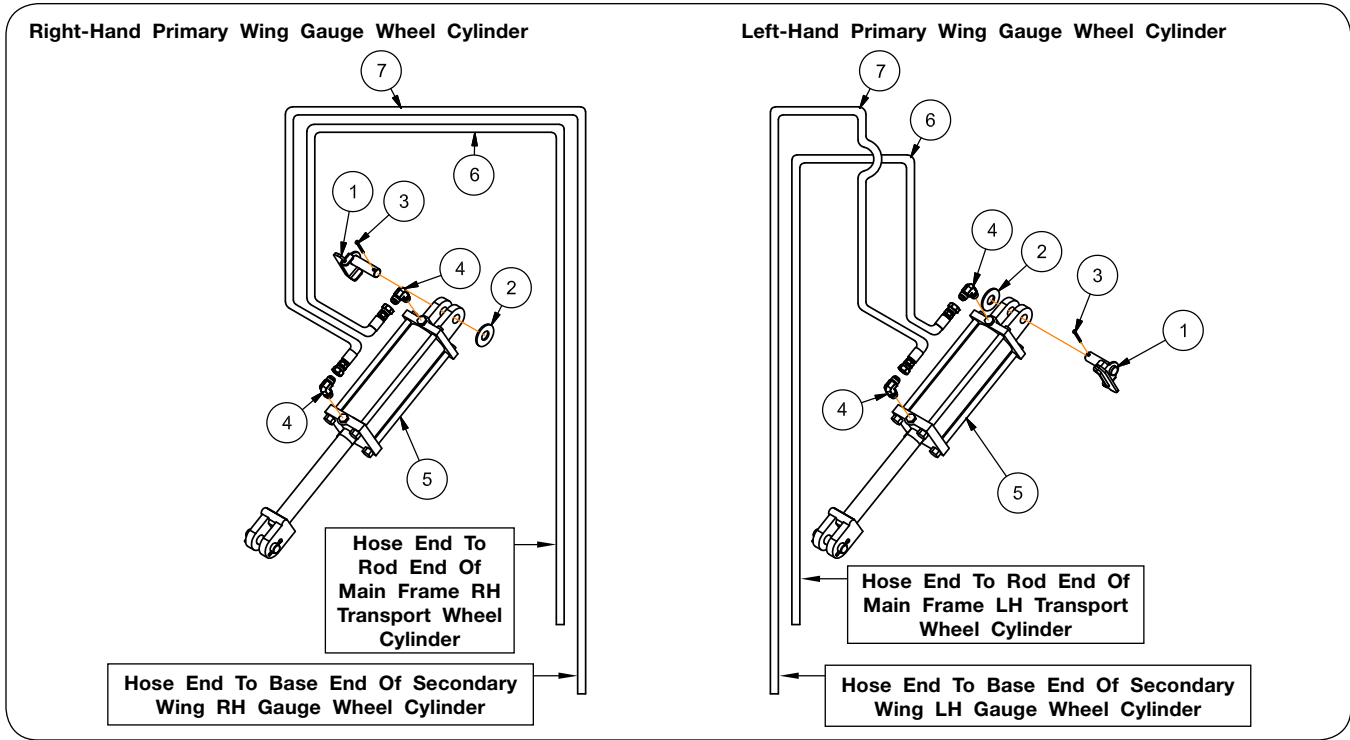
Main Frame Transport Wheel & Frame Leveling Hydraulics

Please visit www.unverferth.com/parts/ for the most current parts listing.

ITEM	PART NUMBER	DESCRIPTION	QTY	NOTES
1	98201	90° Elbow 7/8-14 JIC Male x 3/4-16 O-Ring Male	8	
2	JDP4590	Valve Assembly - Flow Divider with Holding Valves	1	
3	JAM2090	Depth Collar & Lock-Up Storage Bracket	2	
4	JAM6280	Transport Lock	2	
5	9503240	Clevis Pin 5/16" Dia. x 3 1/2"	2	
	9514	Hairpin Cotter 0.092" Dia. x 1 7/8"	2	
6	JBM3559	Clevis Pin Weldment 1" Dia. x 3 7/8"	2	
7	9928	Lock Nut/Top, 3/8"-16UNC	4	
9	9405-118	Flat Washer, 1" USS	2	
10	JBP3351	U-Bolt, 3/8"-16UNC x 7", 6 7/16CC	2	
11	9391-045	Cotter Pin, 3/16" Dia. x 1 3/4"	6	
12	9503026	Adapter 7/8-14 JIC Male x 3/4-16 O-Ring Male	4	
13	JBP3497	Clevis Pin, 1" Dia. x 3 1/4"	2	
14	JDP4496	Hydraulic Hose, 1/2" x 114" (7/8-14 JIC Female x 7/8-14 JIC Female)	1	
15	JDP5001	Hydraulic Hose, 1/2" x 168" (7/8-14 JIC Female x 7/8-14 JIC Female)	1	
16	JDP5186	Hydraulic Hose, 1/2" x 132" (7/8-14 JIC Female x 7/8-14 JIC Female)	1	
17	JDP5316	Hydraulic Hose, 1/2" x 353" (7/8-14 JIC Female x 7/8-14 JIC Female)	2	
18	JDP4484	Rephase Cylinder, 3 1/2" x 12"	1	
19	JDP4487	Rephase Cylinder, 4 1/2" x 12"	2	
20	JDP5184	Hydraulic Hose, 1/2" x 192" (7/8-14 JIC Female x 7/8-14 JIC Female)	2	

Primary Wing Gauge Wheel Hydraulics

Please visit www.unverferth.com/parts/ for the most current parts listing.

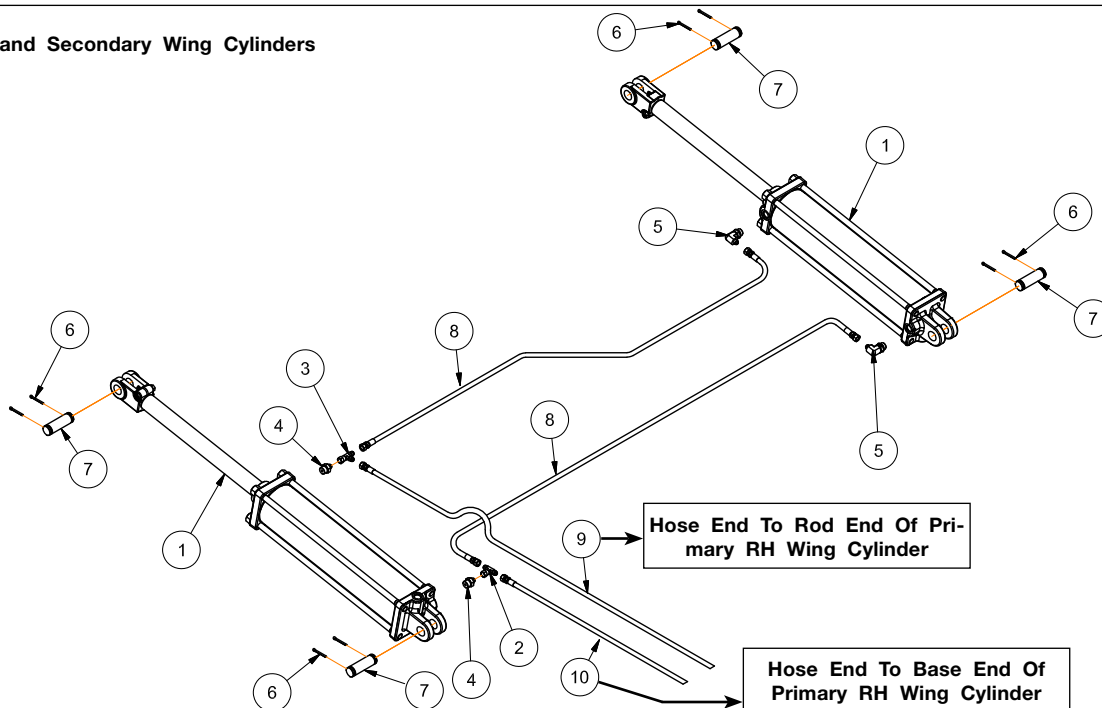


ITEM	PART NUMBER	DESCRIPTION	QTY	NOTES
1	JBM3559	Clevis Pin Weldment 1" Dia. x 3 7/8"	4	
2	9405-118	Flat Washer, 1" USS	4	
3	9391-045	Cotter Pin, 3/16" Dia. x 1 3/4"	4	
4	98201	90° Elbow 7/8-14 JIC Male x 3/4-16 O-Ring Male	13	
5	JDP4486	Rephase Cylinder, 4" x 12"	2	
6	JDP5184	Hydraulic Hose, 1/2" x 192" (7/8-14 JIC Female x 7/8-14 JIC Female)	2	
7	JDP5186	Hydraulic Hose, 1/2" x 132" (7/8-14 JIC Female x 7/8-14 JIC Female)	2	

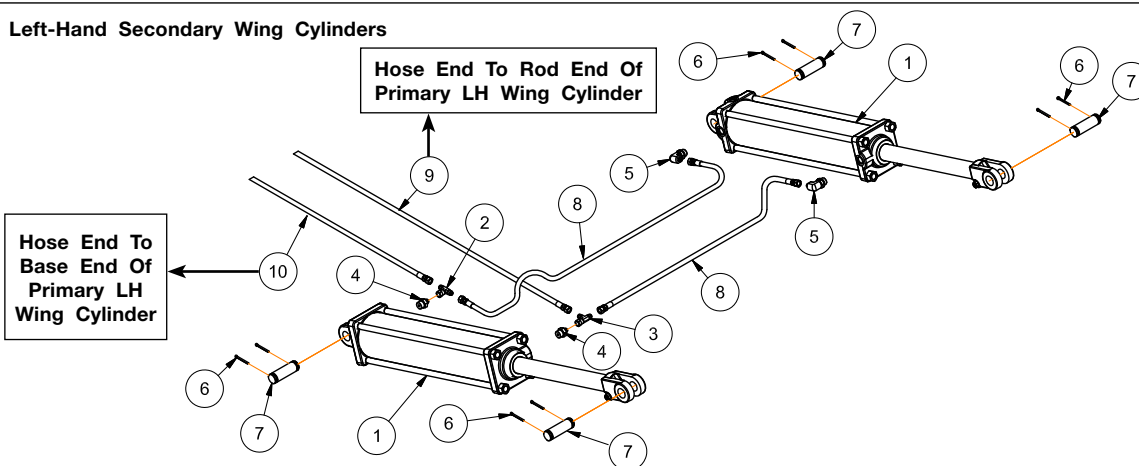
Primary Wing to Secondary Wing Hydraulics

Please visit www.unverferth.com/parts/ for the most current parts listing.

Right-Hand Secondary Wing Cylinders



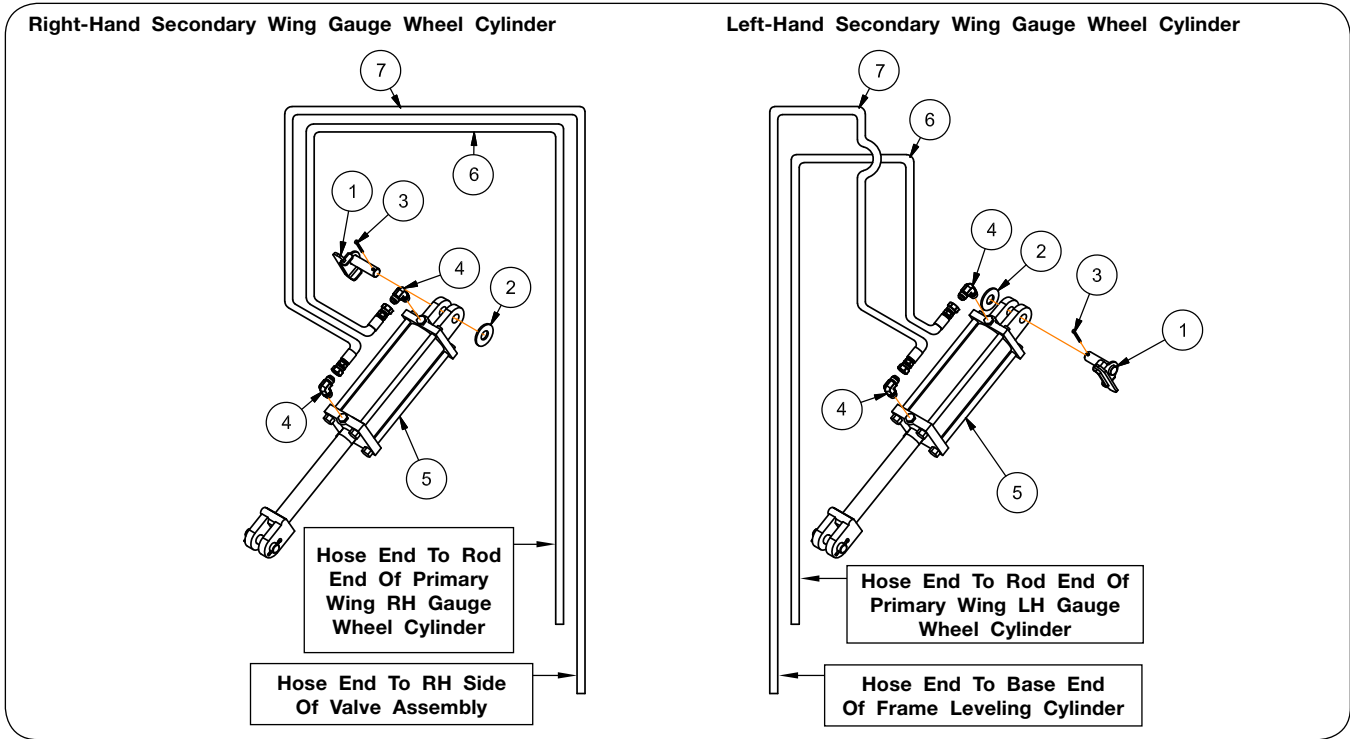
Left-Hand Secondary Wing Cylinders



ITEM	PART NUMBER	DESCRIPTION	QTY	NOTES
1	JDP4482-1	Cylinder 5" x 20" with Spacer	2	
2	91525	Tee, 9/16-18 JIC Male x 9/16-18 JIC Male x 9/16-18 JIC Female	2	
3	91465	Tee, 9/16-18 JIC Male x 9/16-18 JIC Female x 9/16-18 JIC Male	2	
4	98078	Adapter, 9/16-18 JIC male x 7/8-14 O-Ring Male	4	
5	98079	90° Elbow 916-18 JIC Male x 7/8-14 O-Ring Male	4	
6	9391-045	Cotter Pin, 3/16" Dia. x 1 3/4"	16	
7	JBP3498	Clevis Pin, 1 1/4" Dia. x 3 3/16"	8	
8	JDP5055	Hydraulic Hose, 1/4" x 66" (9/16-18 JIC Female x 9/16-18 JIC Female)	4	
9	JDP5311	Hydraulic Hose, 3/8" x 134" (9/16-18 JIC Female x 9/16-18 JIC Female)	2	
10	JDP5312	Hydraulic Hose, 3/8" x 143" (9/16-18 JIC Female x 9/16-18 JIC Female)	2	

Secondary Wing Gauge Wheel Hydraulics

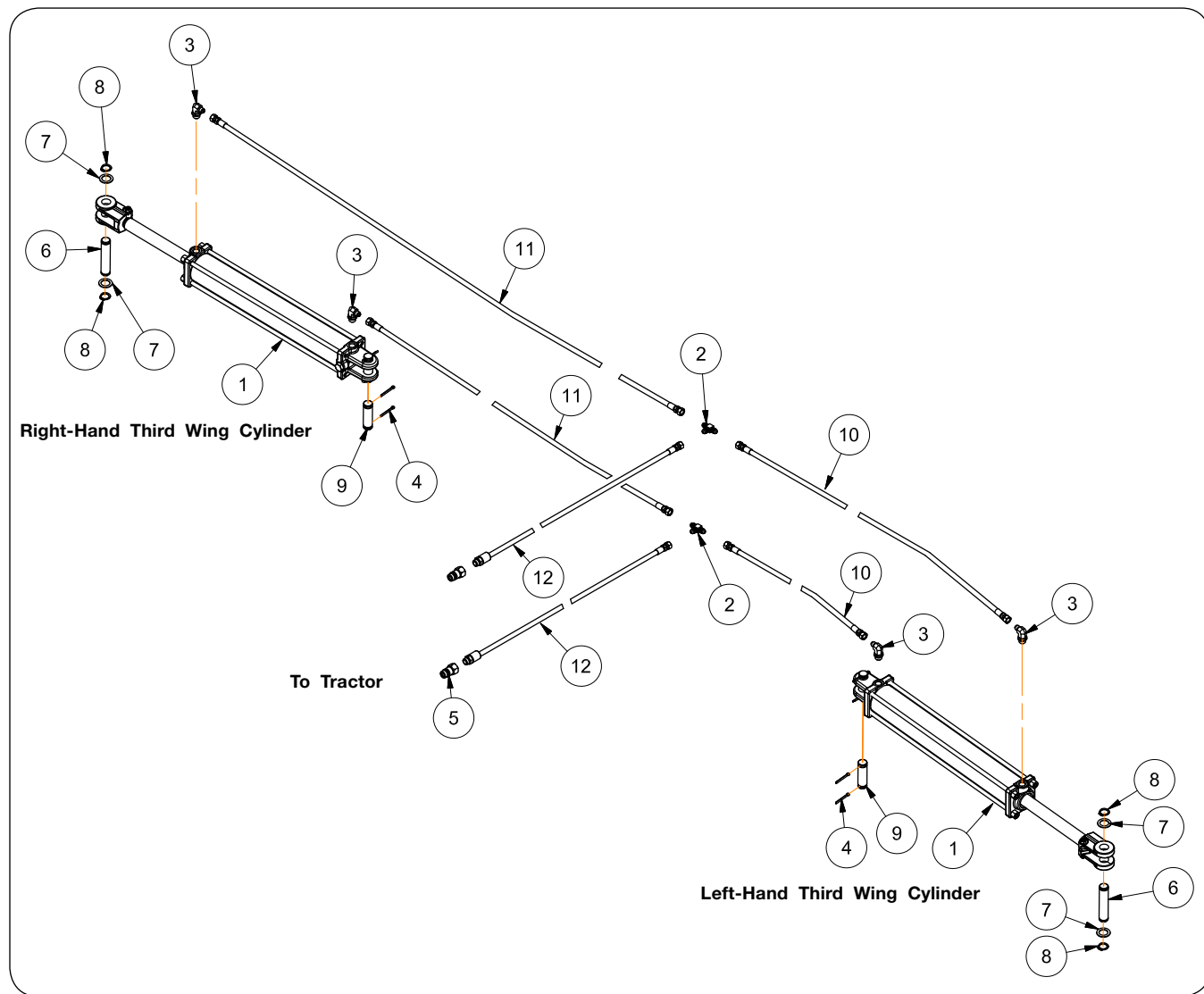
Please visit www.unverferth.com/parts/ for the most current parts listing.



ITEM	PART NUMBER	DESCRIPTION	QTY	NOTES
1	JBM3559	Clevis Pin Weldment 1" Dia. x 3 7/8"	4	
2	9405-118	Flat Washer, 1" USS	4	
3	9391-045	Cotter Pin, 3/16" Dia. x 1 3/4"	4	
4	98201	90° Elbow 7/8-14 JIC Male x 3/4-16 O-Ring Male	13	
5	JDP4485	Rephase Cylinder, 3 3/4" x 12"	2	
6	JDP5186	Hydraulic Hose, 1/2" x 132" (7/8-14 JIC Female x 7/8-14 JIC Female)	2	
7	JDP5316	Hydraulic Hose, 1/2" x 192" (7/8-14 JIC Female x 7/8-14 JIC Female)	2	

Secondary Wing to Third Wing Hydraulics (Toolbars Over 48')

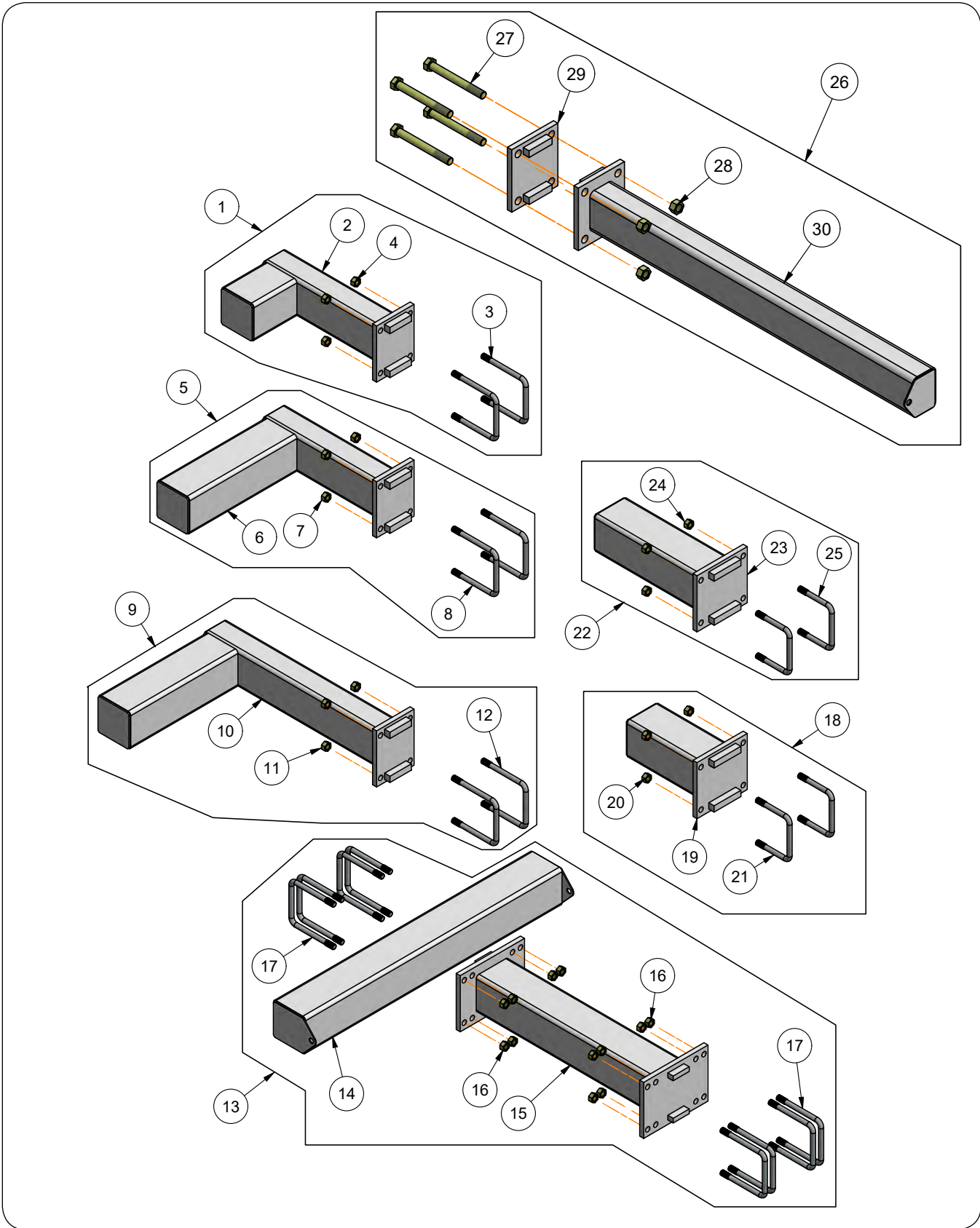
Please visit www.unverferth.com/parts/ for the most current parts listing.



ITEM	PART NUMBER	DESCRIPTION	QTY	NOTES
1	JDP4492	Cylinder 3" x 20"	2	
2	9875	Tee 9/16-18 JIC Male x 9/16-18 JIC Female x 9/16-18 JIC Male	2	
3	JAAM2111	90° Elbow, 9/16"-18 JIC Male x 3/4"-16 O-Ring Male w/ 1/8" Restrictor	4	
4	9391-045	Cotter Pin, 3/16" Dia. x 1 3/4"	4	
5	91383	Male Tip Coupling 3/4-16 O-Ring Female	2	
6	JBM3543	Pin, 1" Dia. x 4.91"	2	
7	JBP3215	Machinery Bushing 1 1/2" OD x 1" ID x 14 Ga.	4	
8	91192	Retaining Ring 1"	4	
9	JBP3403	Clevis Pin, 1" Dia. x 2 3/4"	2	
10	JDP5306	Hydraulic Hose, 1/4" x 296" (9/16-18 JIC Female x 9/16-18 JIC Female)	2	
11	JDP5307	Hydraulic Hose, 1/4" x 272" (9/16-18 JIC Female x 9/16-18 JIC Female)	2	
12	9504312	Hydraulic Hose, 3/8" x 230" (9/16-18 JIC Female x 3/4-16 O-Ring Male)	2	

Offset Stagger Bracket & Bracket Extension Components

Please visit www.unverferth.com/parts/ for the most current parts listing.



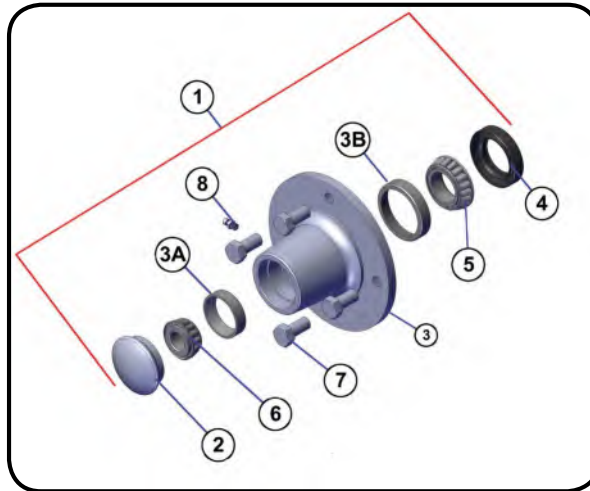
Offset Stagger Bracket & Bracket Extension Components

Please visit www.unverferth.com/parts/ for the most current parts listing.

ITEM	PART NUMBER	DESCRIPTION	QTY	NOTES
1	JAAM2141	Offset Stagger Bracket w/Hdw 22" x 8", 6" x 6" Mounting	1	Includes Items 2-4
2	JAM4510	Offset Stagger Bracket Weldment 22" x 8"	1	
3	JBP3350	U-Bolt, 3/4"-10UNC x 6"W x 7 11/16"L	2	
4	9802	Lock Nut/Top, 3/4"-10UNC	4	
5	JAAM2123	Offset Stagger Bracket w/Hdw 22" x 20", 6" x 6" Mounting	1	Includes Items 6-8
6	JAM4545	Offset Stagger Bracket Weldment 22" x 20"	1	
7	9802	Lock Nut/Top, 3/4"-10UNC	4	
8	JBP3350	U-Bolt, 3/4"-10UNC x 6"W x 7 11/16"L	2	
9	JAAM2122	Offset Stagger Bracket w/Hdw 33" x 20", 6" x 6" Mounting	1	Includes Items 10-12
10	JAM4509	Offset Stagger Bracket Weldment 33" x 20"	1	
11	9802	Lock Nut/Top, 3/4"-10UNC	4	
12	JBP3350	U-Bolt, 3/4"-10UNC x 6"W x 7 11/16"L	2	
13	JAAM2125	Offset Stagger Double Bracket w/Hdw 40" x 48", 6" x 6" Mounting	1	Includes Items 14-17
14	JAM6160	Tube Weldment 48"	1	
15	JAM6161	Bracket Extension 35", Double Mounting	1	
16	9802	Lock Nut/Top, 3/4"-10UNC	16	
17	JBP3350	U-Bolt, 3/4"-10UNC x 6"W x 7 11/16"L	8	
18	JAAM2128	Bracket Extension 14" w/Hdw, 6" x 6" Mounting	1	Includes Items 19-21
19	JAM4543	Bracket Extension 14" Weldment	1	
20	9802	Lock Nut/Top, 3/4"-10UNC	4	
21	JBP3352	U-Bolt 3/4"-10UNC x 6"W x 5 11/16"L	2	
22	JAAM2129	Bracket Extension 20" w/Hdw, 6" x 6" Mounting	1	Includes Items 23-25
23	JAM6162	Bracket Extension 20" Weldment	1	
24	9802	Lock Nut/Top, 3/4"-10UNC	4	
25	JBP3352	U-Bolt 3/4"-10UNC x 6"W x 5 11/16"L	2	
26	JAAM2136	Offset Stagger Extension 56" w/Hdw, 6" x 6" Mounting	1	Includes Items 27-30
27	9390-463	Capscrew, 1"-8UNC x 9" G5	4	
28	9663	Lock Nut/Top, 1"-8UNC	4	
29	JAM6185	Backing Plate	1	
30	JAM6192	Extension Weldment 56"	1	

Super 1200 Flex Coultter Hub Assembly Components

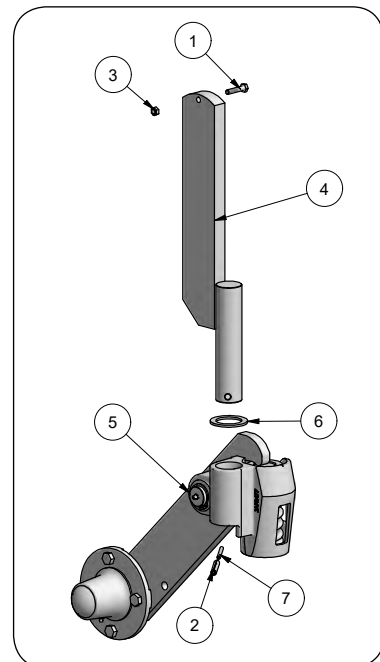
Please visit www.unverferth.com/parts/ for the most current parts listing.



ITEM	PART NUMBER	DESCRIPTION	QTY	NOTES
1	JAP2707	Hub Assembly, 4 Bolt	1	
2	90024	Hub Cap	1	
3	JAP2706-1	Hub w/ Cups, 4 Bolt	1	
3A	9784	Bearing Cup (LM11910)	1	
3B	9345	Bearing Cup (LM67010)	1	
4	JAP2747	Grease Seal (15235TB)	1	
5	9165	Bearing Cone (LM67048)	1	
6	9789	Bearing Cone (LM11949)	1	
7	9390-323	Capscrew, 1/2"-20UNF x 1" G5	4	
8	91160	Grease Zerk 1/4"-28 STT	1	

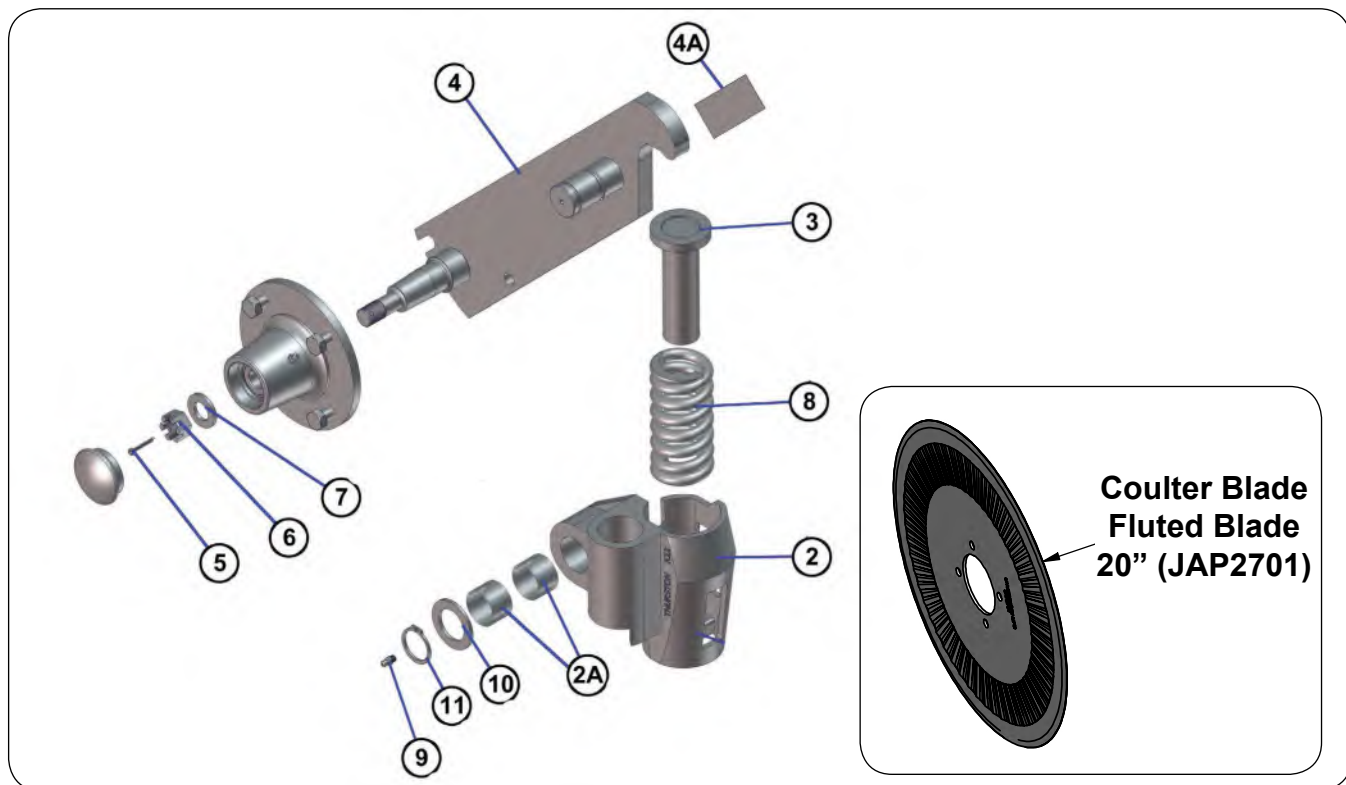
Super 1200 Flex Coultter & Post Assembly

ITEM	PART NUMBER	DESCRIPTION	QTY	NOTES
	JAAM2728	COULTER, SUPER 1200, 16, 1R	1	Includes Items 1-7
1	9390-032	Capscrew, 5/16"-18UNC x 1 1/2"	1	
2	9392-182	Roll Pin, 3/8" Dia. x 2 1/2"	1	
3	9807	Lock Nut/Top, 5/16"-18UNC	1	
4	JAM2735	Coulter Shank, 16"	1	
5	JAM2799	Coulter Arm w/Hub & Knee Casting Assembly	1	
6	JBP3205	MACHINERY BUSHING, 2-1/2" OD X 1-3/4" ID, 10GA, PLATED	1	
7	JBP3534	Roll, Pin, 7/32" Dia. x 2 1/2"	1	



Super 1200 Flex Coultter Assembly Components

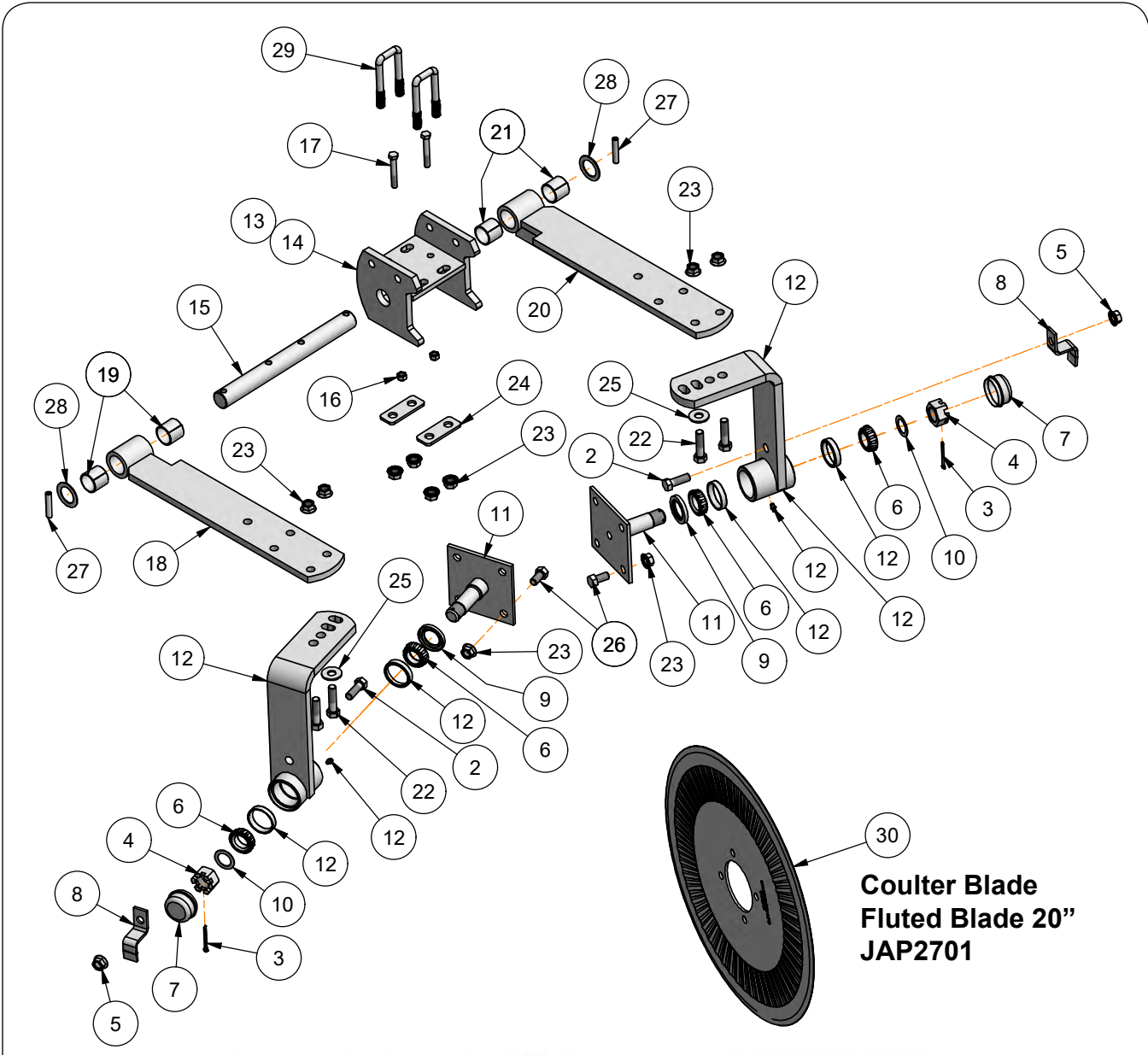
Please visit www.unverferth.com/parts/ for the most current parts listing.



ITEM	PART NUMBER	DESCRIPTION	QTY	NOTE
1	JAM2799	Assembly, Coulter Arm w/ Hub & Knee Casting, HD	1	
2	JAM2743B	Coulter Knee (HD) Casting with Bushings	1	
2A	JAP2274	Self-Lubricating Bushings 1 17/32" OD x 1 3/8" ID	2	
3	JAM2796PL	Spring Cap & Guide Weldment	1	
4	JAM2797	Coulter Arm, HD	1	
4A	JAP2216	Decal, BLU-JET (1 1/2" x 4")	1	
5	9391-034	Cotter Pin, 5/32" Dia. x 1 1/4"	1	
6	9393-016	Slotted Nut, 3/4"-16UNF	1	
7	91050	Flat Washer 1.469" OD x .812" ID	1	
8	JAP2881B	Compression Spring 2.472" OD x 5 7/8", .468 Wire Dia.	1	
9	91160	Grease Zerk 1/4"-28 STT	1	
10	JBP3404	Machinery Bushing, 2 1/8" OD x 1 3/8" ID	1	
11	91575	Retaining Ring, 1 3/8" Dia.	1	

SealPro II (JAAM2856) & Blades For 1 1/4" Edge Bent Shank

Please visit www.unverferth.com/parts/ for the most current parts listing.



**Blade
Options**



**JAM2479
17" Notched Blade**



**JAP2728
17" Wavy**

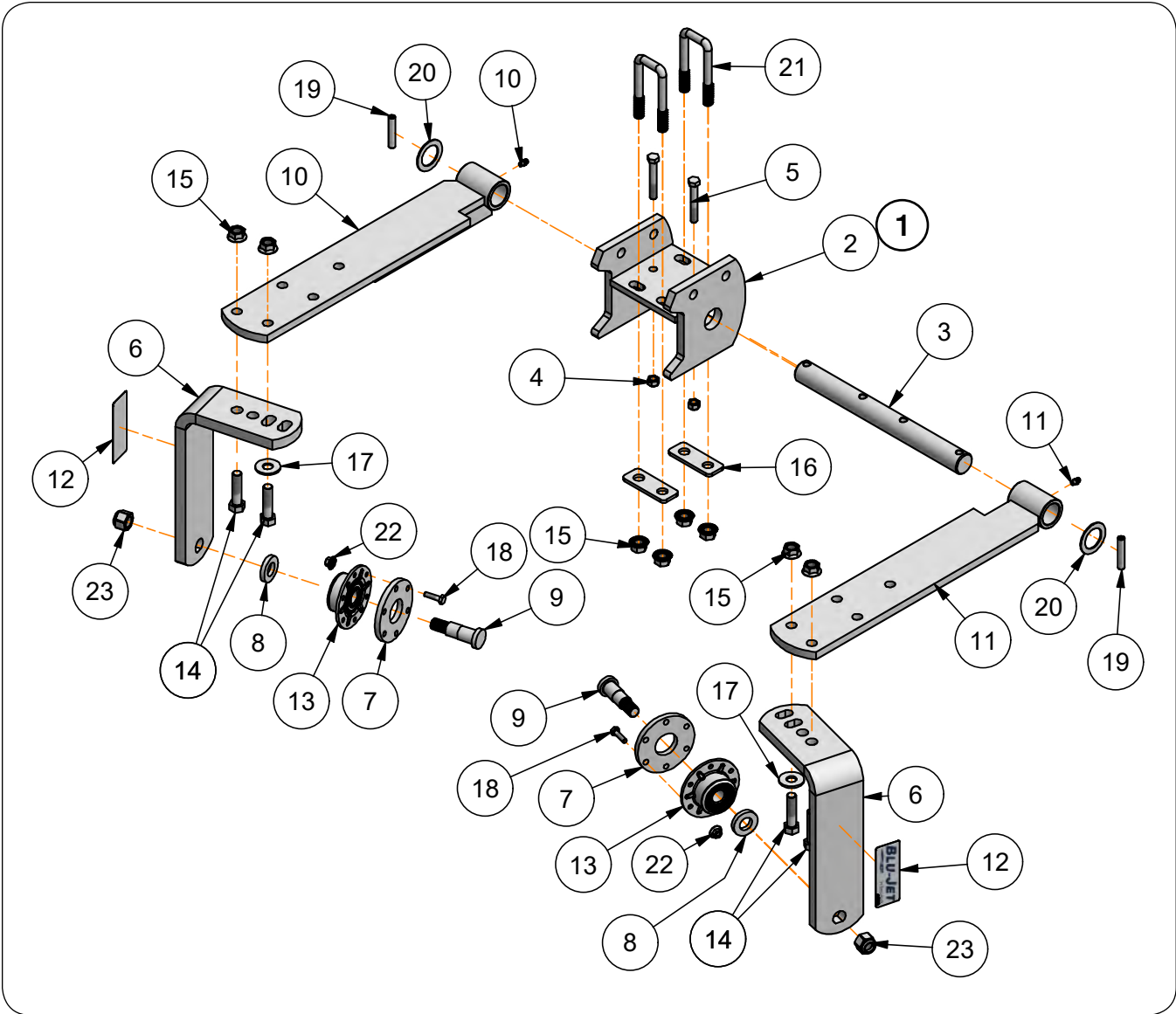
SealPro II (JAAM2856) & Blades For 1 1/4" Edge Bent Shank

Please visit www.unverferth.com/parts/ for the most current parts listing.

ITEM	PART NUMBER	DESCRIPTION	QTY	NOTES
	JAAM2856	SealPro II, 1 1/4" Edge Bent Shank, 1 Row	-	Includes Items 1-29
1	JAM2481	Sealer Hanger Assembly with Blade Mounting	2	Includes Items 2-12
2	9390-101	Capscrew, 1/2"-13UNC x 1 1/2" G5	1	
3	9391-036	Cotter Pin, 5/32" Dia. x 1 3/4"	1	
4	9393-020	Slotted Nut, 1"-8UNS	1	
5	91267	Flange Nut, 1/2"-13UNC	1	
6	91821	Bearing Cone, 1.0625" Bore	2	
7	92521	Hub Cap	1	
8	JAM2482	Hub Cap Retainer	1	
9	JAP4209	Grease Seal, Double Lip	1	
10	JBP3739	Machinery Bushing, 1" ID	1	
11	JEM3245	Blade Mounting Weldment	1	
12	JEM3246	Sealer Hanger	1	
13	JAM2485	Sealer Mounting Bracket Assembly without Arms	1	Includes Items 14-17
14	JAM2484	Sealer Mounting Bracket	1	
15	JBM3643	Sealer Shaft Pin, 1 1/4" Dia. x 12 1/2"	1	
16	9928	Lock Nut/Top, 3/8"-16UNC	2	
17	9390-061	Capscrew, 3/8"-16UNC x 2 1/2" G5	2	
18	JAM2486	Sealer Arm LH Weldment w/2 Hanger Positions	1	Includes Item #19
19	JAP3115	Self-Lubricated Split Bushing 1.41" OD x 1.25" ID x 1.25	2	
20	JAM2487	Sealer Arm RH Weldment w/2 Hanger Positions	1	Includes Item #121
21	JAP3115	Self-Lubricated Split Bushing 1.41" OD x 1.25" ID x 1.25	2	
22	9390-103	Capscrew, 1/2"-13UNC x 2" G5	4	
23	91267	Flange Nut, 1/2"-13UNC	16	
24	45967B	Tie Plate	2	
25	9405-088	Flat Washer, 1/2" USS	2	
26	9390-099	Capscrew, 1/2"-13UNC x 1" G5	8	
27	91144-207	Spiral Pin, 3/8" Dia. x 2"	2	
28	91174	Machinery Bushing, 1 7/8" OD x 1 1/4" ID x 14GA	2	
29	JBP3314	U-Bolt, 1/2"-13UNC x 1 1/4"W x 3 3/4"L	2	
30	JAP2701	Coulter Blade 20" Dia. Fluted, Standard	1	
	JAM2479	Coulter Blade 17" Dia. Notched, Optional	-	
	JAP2728	Coulter Blade 17" Dia. Wavy, Optional	-	

DiscCover Sealer (JAAM2893) For 1 1/4" Edge Bent Shank

Please visit www.unverferth.com/parts/ for the most current parts listing.



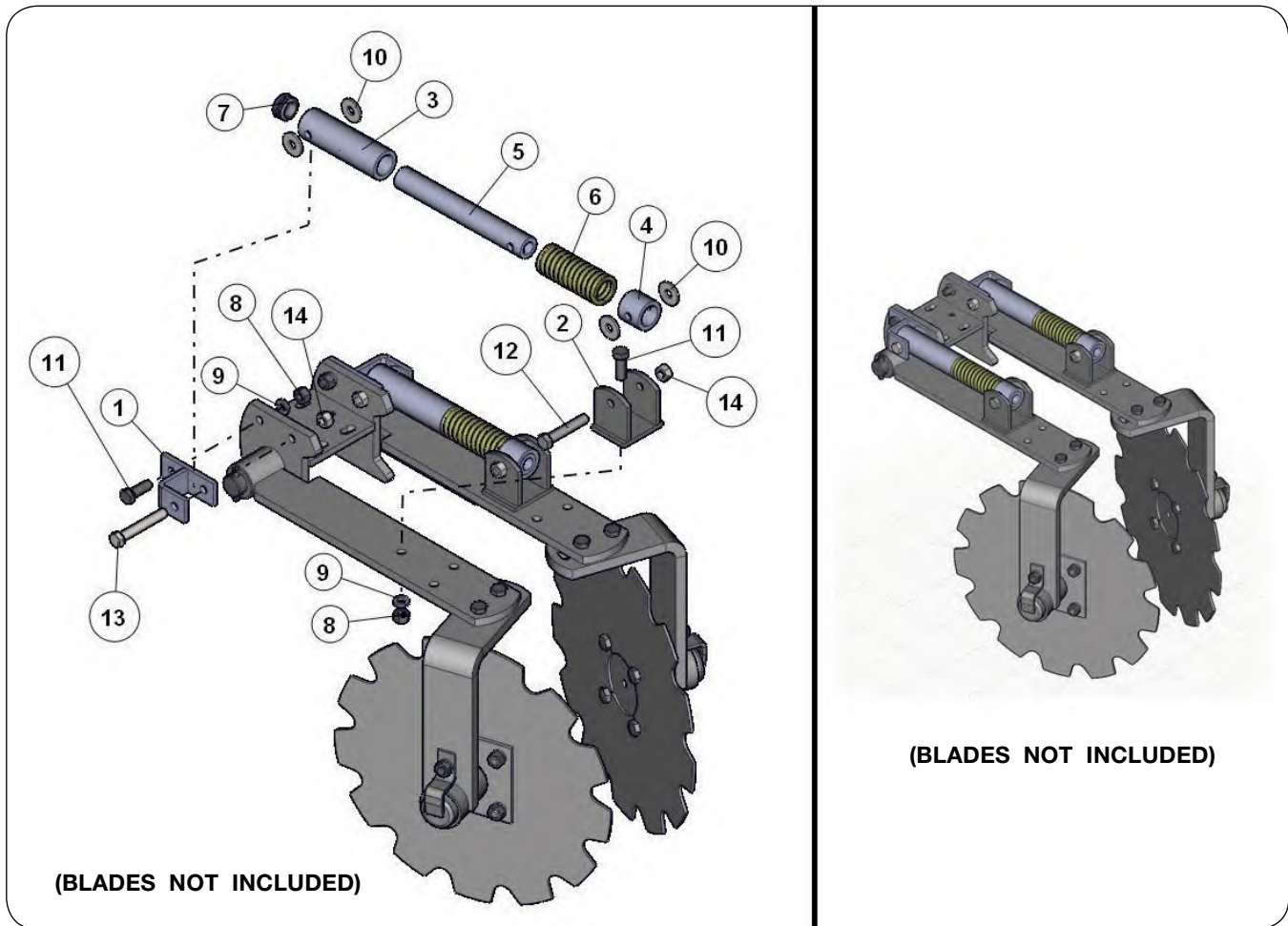
DiscCover Sealer (JAAM2893) For 1 1/4" Edge Bent Shank

Please visit www.unverferth.com/parts/ for the most current parts listing.

ITEM	PART NUMBER	DESCRIPTION	QTY	NOTES	
	JAAM2893	DiscCover Sealer, 1 1/4" Edge Bent Shank, 1 Row	1	Includes Items 1-23	
1	JAM2485	Sealer Mounting Bracket Assembly Without Arms	1	Includes Items 2-5	
	2	JAM2484	Sealer Mounting Bracket	1	
	3	JBM3643	Sealer Shaft Pin, 1 1/4" Dia. x 12 1/2"	1	
	4	9928	Lock Nut/Top, 3/8"-16UNC	2	
	5	9390-061	Capscrew, 3/8"-16UNC x 2 1/2" G5	2	
6	JAM2745	Sealer Hanger Mount	2		
7	44548B	SealPro Blade Spacer	2		
8	JAM2748	Washer, 1 1/2" OD x 25/32" ID x 1/4"	2		
9	44547	SealPro Hub Mounting Bolt, 5/8"-11UNC	2		
10	JAM2750	Sealer Arm LH Weldment, Greaseable, 2 Position	1		
	91160	Grease Zerk 1/4"-28 STT	1		
11	JAM2751	Sealer Arm RH Weldment, Greaseable, 2 Position	1		
	91160	Grease Zerk 1/4"-28 STT	1		
12	JAP2216	Decal, BLU-JET (1 1/2" x 4)	2		
13	JAP4581	Bearing Unit, ADH 7546	2		
14	9390-103	Capscrew, 1/2"-13UNC x 2" G5	4		
15	91267	Flange Nut, 1/2"-13UNC	8		
16	45967B	Tie Plate	2		
17	9405-088	Flat Washer, 1/2" USS	2		
18	9390-005	Capscrew, 1/4"-20UNC x 1" G5	12		
19	91144-207	Spiral Pin, 3/8" Dia. x 2"	2		
20	91174	Machinery Bushing, 1 7/8" OD x 1 1/4" ID x 14GA	2		
21	JBP3314	U-Bolt, 1/2"-13UNC x 1 1/4"W x 3 3/4"L	2		
22	97189	Hex Nut/Large Flange, 1/4"-20UNC	12		
23	9398-019	Elastic Lock Nut, 5/8"-11UNC	2		

Disc Sealer Spring Add-On Kit (JAAM2857) Optional

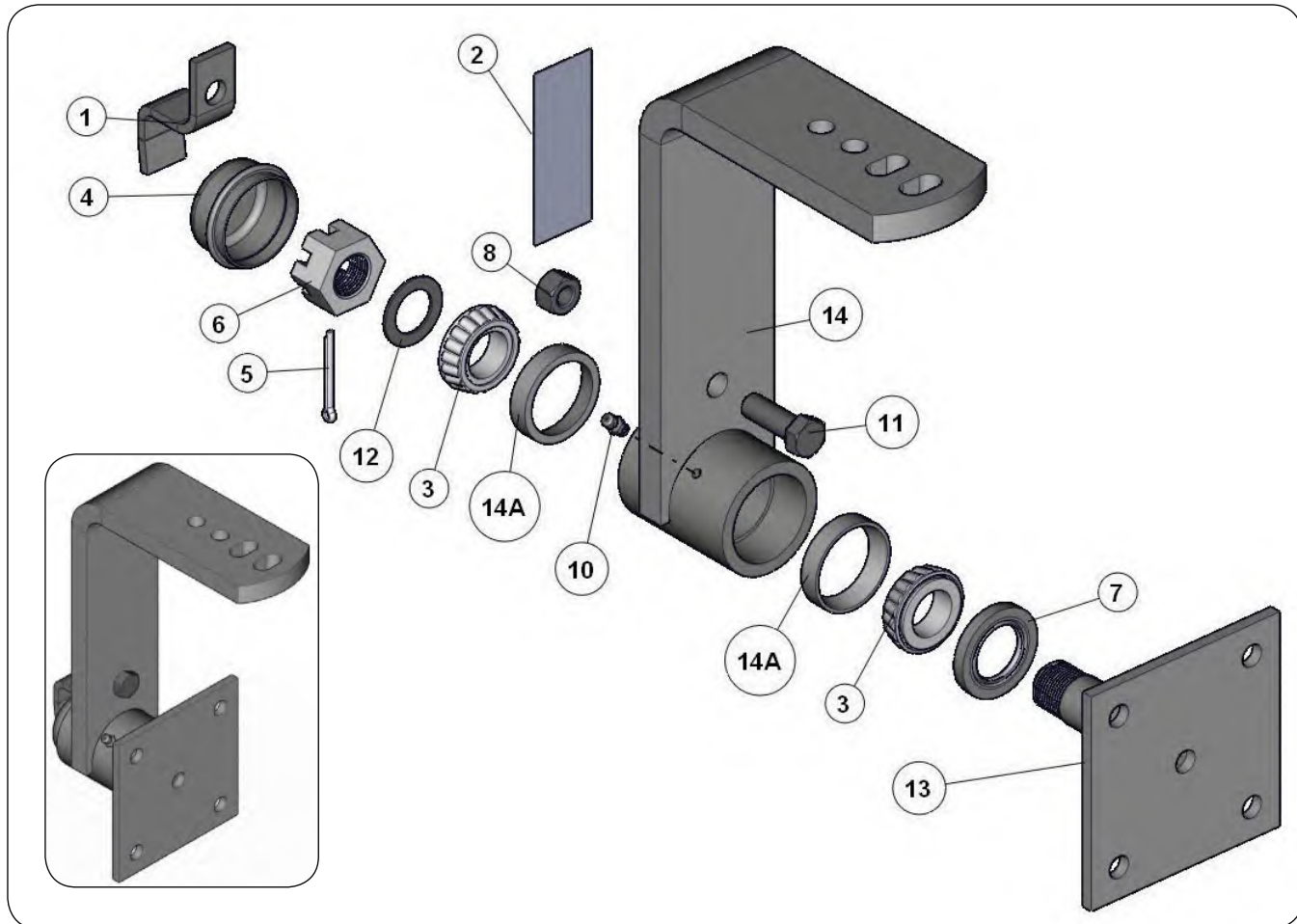
Please visit www.unverferth.com/parts/ for the most current parts listing.



ITEM	PART NUMBER	DESCRIPTION	QTY	NOTES
	JAAM2857	Disc Sealer Spring Add-On Kit Option (Blades Not Included)	-	Includes Items 1-14
1	JAM2488	Upper Sealer Spring Clevis Weldment	2	
2	JAM2489	Lower Clevis Plate	2	
3	JAM2490	Upper Spring Tube	2	
4	JAM2491	Spring Collar Bushing	2	
5	JAM2492	Spring Guide Tube	2	
6	JAP2997	Spring, 1.75" OD x 1.313" ID x 6	2	
7	JAP3116	Tube Plug, 1 3/8" Dia.	2	
8	9394-010	Hex Nut, 1/2"-13UNC	4	
9	9404-025	Lock Washer, 1/2"	4	
10	9405-088	Flat Washer, 1/2" USS	8	
11	9390-101	Capscrew, 1/2"-13UNC x 1 1/2" G5	4	
12	9390-107	Capscrew, 1/2"-13UNC x 3" G5	2	
13	9390-109	Capscrew, 1/2"-13UNC x 3 1/2" G5	2	
14	94981	Lock Nut/Center, 1/2"-13UNC	4	

Sealer Hanger with Blade Mounting (JAM2481)

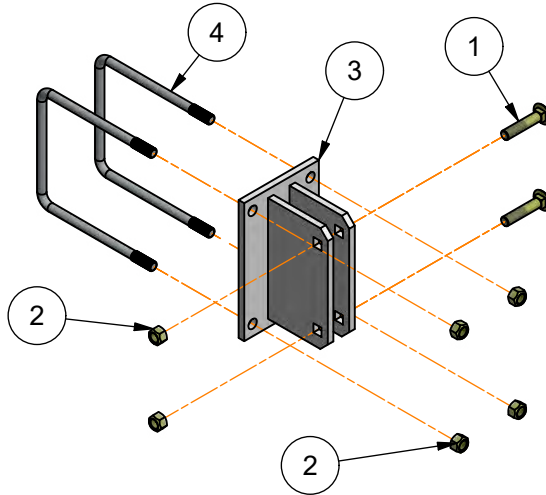
Please visit www.unverferth.com/parts/ for the most current parts listing.



ITEM	PART NUMBER	DESCRIPTION	QTY	NOTES
	JAM2481	Sealer Hanger Assembly with Blade Mounting	-	Includes Items 1-14
1	JAM2482	Hub Cap Retainer	1	
2	JAP2216	Decal, BLU-JET (1 1/2" x 4)	1	
3	91821	Bearing Cone #L44649 (1.0625" Bore)	2	
4	92521	Hub Cap	1	
5	9391-036	Cotter Pin, 5/32" Dia. x 1 3/4"	1	
6	9393-020	Slotted Nut, 1"-14UNS	1	
7	JAP4209	Grease Seal , Double Lip (CR12428)	1	
8	91267	Flange Nut, 1/2"-13UNC	1	
9	N/A	N/A	N/A	
10	91160	Grease Zerk 1/4"-28 STT	1	
11	9390-101	Capscrew, 1/2"-13UNC x 1 1/2" G5	1	
12	JBP3739	Machinery Bushing 1 1/2" OD x 1" ID x 18GA	1	
13	JEM3245	Blade Mounting Weldment	1	
14	JEM3246	Sealer Hanger Weldment with Cups	1	Includes Item 14A
14A	92522	Bearing Cup #L44610 (1.98" OD)	2	

Coulter Mounting Bracket Components

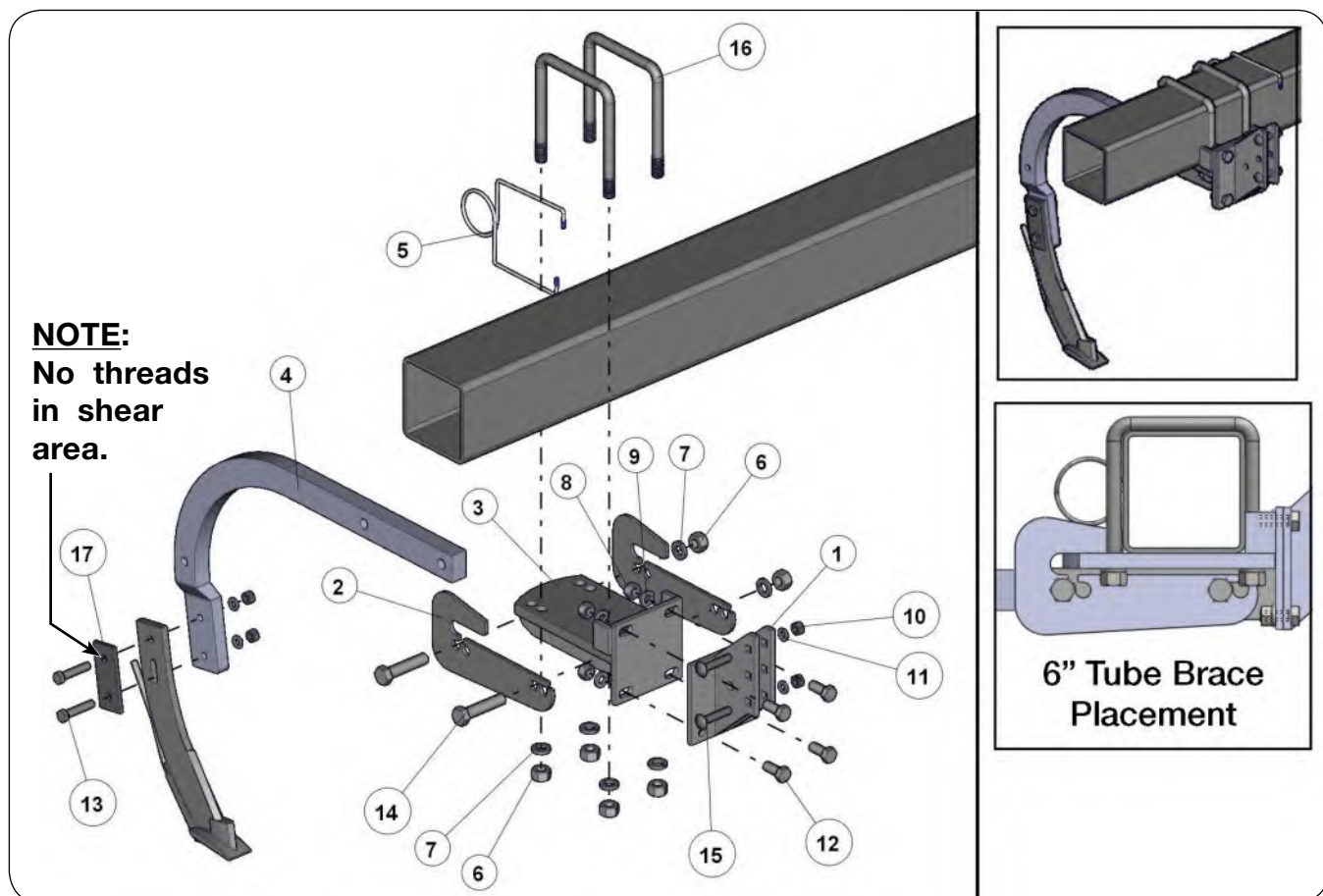
Please visit www.unverferth.com/parts/ for the most current parts listing.



ITEM	PART NUMBER	DESCRIPTION	QTY	NOTES
	JAAM2428	Coulter Mounting Bracket Assembly	-	Includes Items 1-4
1	9388-108	Carriage Bolt, 1/2"-13UNC x 2 1/2" G5	2	
2	9800	Lock Nut/Top, 1/2"-13UNC	6	
3	JAM4780	Flatback Coulter Mounting Bracket	1	
4	JBP3357	U-Bolt, 1/2"-13UNC x 7 1/4", 6 9/16CC	2	

Row Clamp w/EdgeBent Shank & Coulter Mount (JAAM2132)

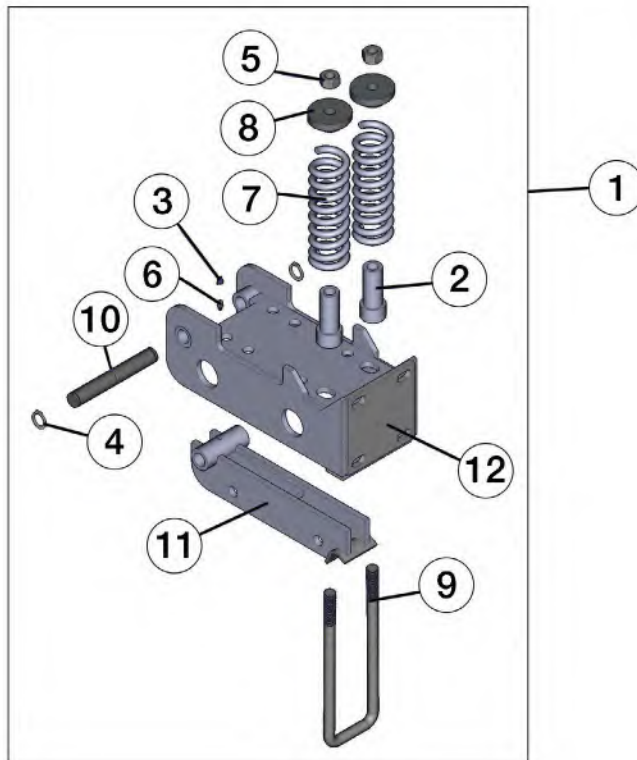
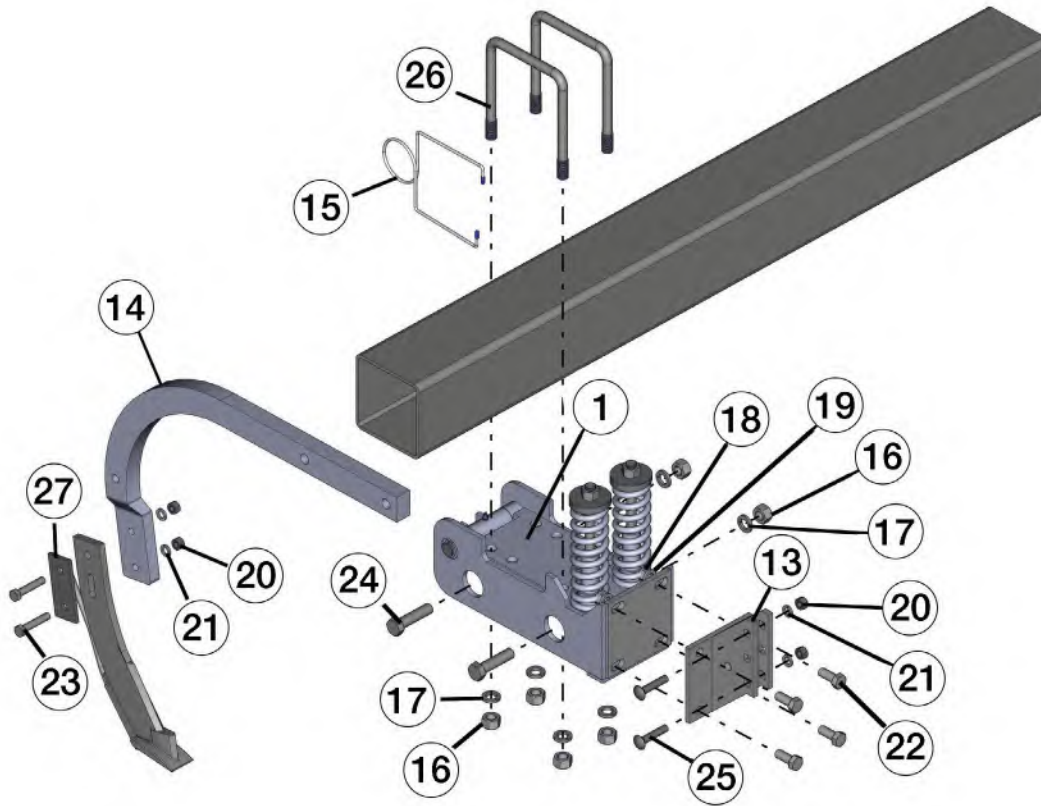
Please visit www.unverferth.com/parts/ for the most current parts listing.



ITEM	PART NUMBER	DESCRIPTION	QTY	NOTES
	JAAM2132	Row Clamp with EdgeBent Shank & Coulter Mount 6" x 6"	-	Includes Items 1-17
1	JAM2699	Spring Flatback Bracket	1	
2	JAM4891	Anti-Rotation, EdgeBent Shank Brace	2	
3	JAM4893	Rigid Mount Bracket	1	
4	JAP2125	1 1/4" x 2" EdgeBent Shank	1	
5	JAP2283-1	Hose Retainer, 6" x 6"	1	
6	9394-016	Hex Nut, 3/4"-10UNC	6	
7	9404-033	Lock Washer, 3/4"	6	
8	9394-014	Hex Nut, 5/8"-11UNC	4	
9	9404-029	Lock Washer, 5/8"	4	
10	9394-010	Hex Nut, 1/2"-13UNC	4	
11	9404-025	Lock Washer, 1/2"	4	
12	9390-122	Capscrew, 5/8"-11UNC x 1 1/2" G5	4	
13	9390-105	Capscrew, 1/2"-13UNC x 2 1/2" G5	2	
14	9390-151	Capscrew, 3/4"-10UNC x 3 1/2" G5	2	
15	9388-108	Carriage Bolt, 1/2"-13UNC x 2 1/2" G5	2	
16	JBP3350	U-Bolt, 3/4"-10UNC x 6"W x 7 11/16"L	2	
17	JCM2311	Knife Washer 2" x 4 3/4"	1	

Shank Assembly 1 1/4" EdgeBent SCS Less Coulter (JAAM2134)

Please visit www.unverferth.com/parts/ for the most current parts listing.



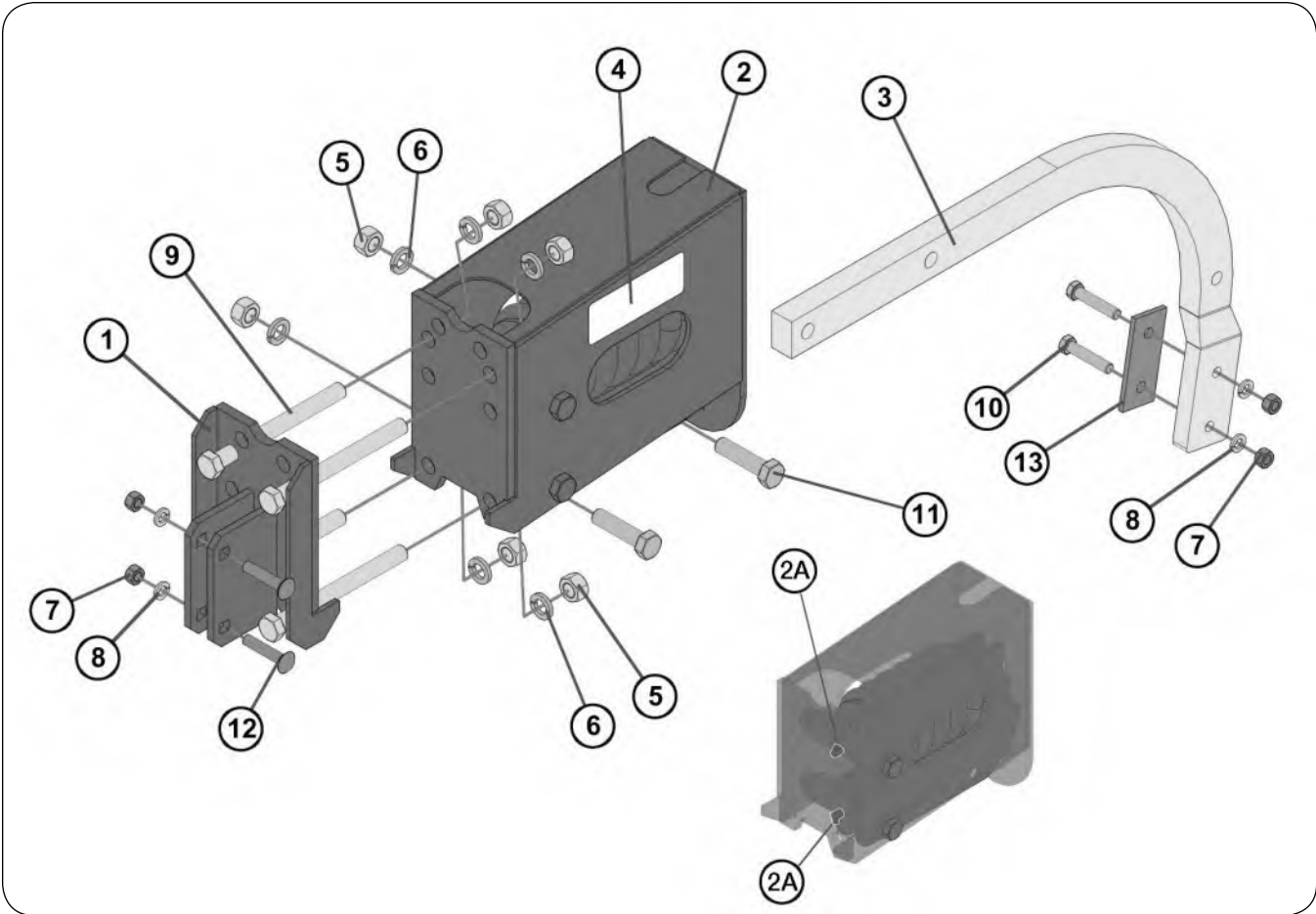
Shank Assembly 1 1/4" EdgeBent SCS Less Coulter (JAAM2134)

Please visit www.unverferth.com/parts/ for the most current parts listing.

ITEM	PART NUMBER	DESCRIPTION	QTY	NOTES
1	44822B	Spring Bundle Assembly, EdgeBent Shank	1	Includes Items 2-12
2	JAM2156	Spring Sleeve Weldment	2	
3	9006849	Grease Zerk CapPlug	1	
4	91192	Retaining Ring, 1"	2	
5	96732	Lock Nut/Center, 3/4"-10UNC	2	
6	91160	Grease Zerk 1/4"-28 STT	1	
7	JBP3104	Compression Spring 2.64" Dia. x 8.625"	2	
8	JBP3105-1	Spring Plug, Flash Removed	2	
9	JBP3106	U-Bolt 3/4"-10UNC x 11 3/4, 3 7/8"CC	1	
10	JEM2959	Pin, 1" Dia. x 7 1/4"	1	
11	JEM2977	Insert Weldment, EdgeBent Shank	1	
12	JEM2978	Spring Bundle Base Weldment	1	
13	JAM2699	Spring Flatback Bracket	1	
14	JAP2125	1 1/4" x 2" EdgeBent Shank	1	
15	JAP2283-1	Hose Retainer, 6" x 6"	1	
16	9394-016	Hex Nut, 3/4"-10UNC	6	
17	9404-033	Lock Washer, 3/4"	6	
18	9394-014	Hex Nut, 5/8"-11UNC	4	
19	9404-029	Lock Washer, 5/8"	4	
20	9394-010	Hex Nut, 1/2"-13UNC	4	
21	9404-025	Lock Washer, 1/2"	4	
22	9390-122	Capscrew, 5/8"-11UNC x 1 1/2" G5	4	
23	9390-105	Capscrew, 1/2"-13UNC x 2 1/2" G5	2	
24	9390-149	Capscrew, 3/4"-10UNC x 3" G5	2	
25	9388-108	Carriage Bolt, 1/2"-13UNC x 2 1/2" G5	2	
26	JBP3350	U-Bolt, 3/4"-10UNC x 6"W x 7 11/16"L	2	
27	JCM2311	Knife Washer 2" x 4 3/4"	1	

Row Clamp, 1 1/4" EdgeBent MaxPac w/Shank & Coulter Mount

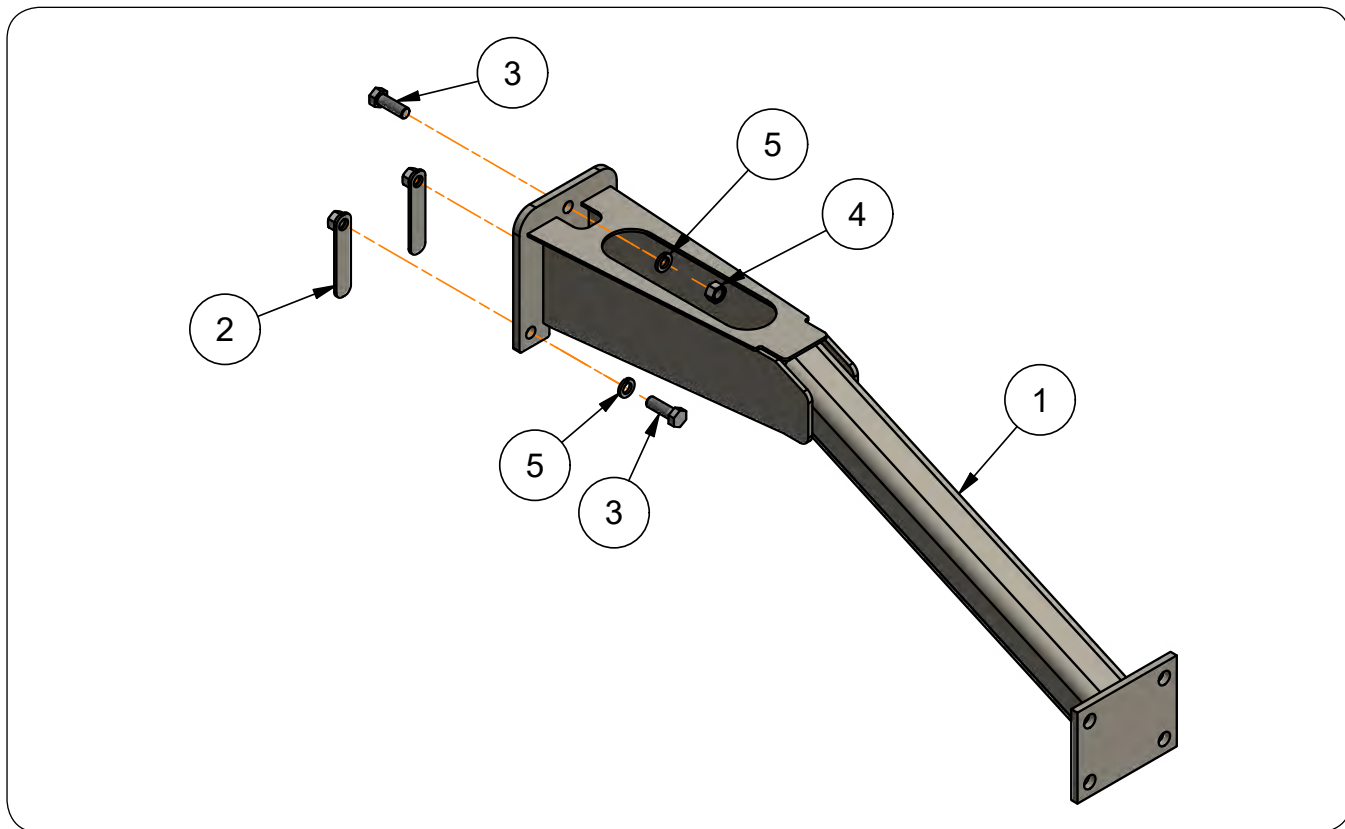
Please visit www.unverferth.com/parts/ for the most current parts listing.



ITEM	PART NUMBER	DESCRIPTION	QTY	NOTES
	JAAM2135	Row Clamp, 1 1/4" EdgeBent MaxPac w/Shank & Coulter Mount	-	Includes Items 1-13
1	JAM2262	Backing Plate, Row Mount with Coulter Mount, AR700	1	
2	JAM2264	AR700 MaxPac Row Unit Assembly	1	Includes Item 2A
2A	93415	Grease Zerk 90°	2	
3	JAP2125	1 1/4" x 2" EdgeBent Shank	1	
4	JAP2976	Decal, MaxPac AR700 (2 1/4" x 6")	1	
5	9394-016	Hex Nut, 3/4"-10UNC	6	
6	9404-033	Lock Washer, 3/4"	6	
7	9394-010	Hex Nut, 1/2"-13UNC	4	
8	9404-025	Lock Washer, 1/2"	4	
9	9390-161	Capscrew, 3/4"-10UNC x 8" G5	4	
10	9390-105	Capscrew, 1/2"-13UNC x 2 1/2" G5	2	
11	9390-149	Capscrew, 3/4"-10UNC x 3" G5	2	
12	9388-108	Carriage Bolt, 1/2"-13UNC x 2 1/2" G5	2	
13	JCM2311	Knife Washer 2" x 4 3/4"	1	

MaxPac Basket Mount Arm Components (JAAM2623)

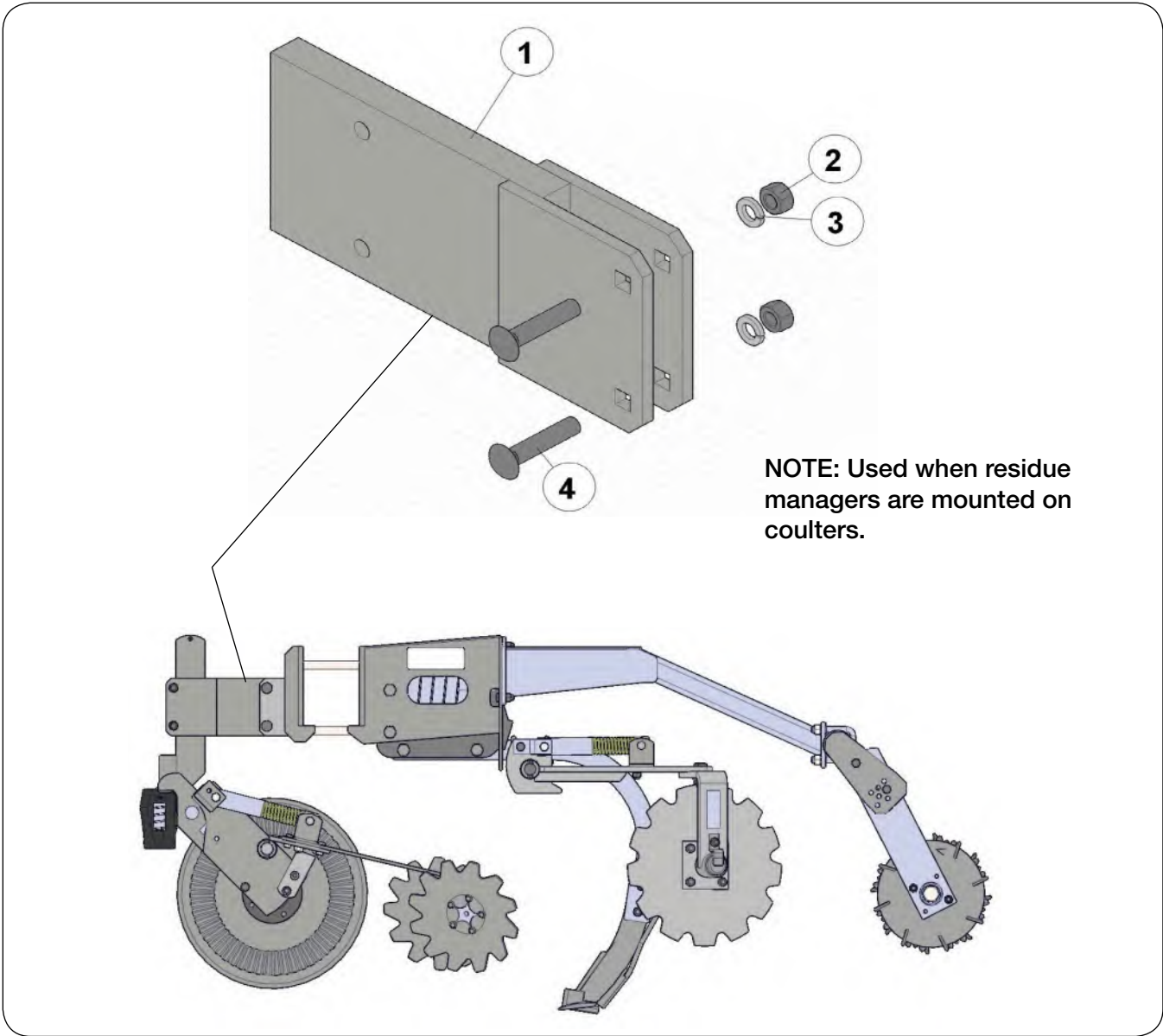
Please visit www.unverferth.com/parts/ for the most current parts listing.



ITEM	PART NUMBER	DESCRIPTION	QTY	NOTES
	JAAM2623	MaxPac Basket Mount (AR700)	1	Includes Items 1-5
1	JAM2271	MaxPac Basket Mount Weldment	1	
2	JAM2273	Nut Plate Weldment	2	
3	9390-101	Capscrew, 1/2"-13UNC x 1 1/2" G5	3	
4	9394-010	Hex Nut, 1/2"-13UNC	1	
5	9404-025	Lock Washer, 1/2"	3	

Coulter Bracket Extension 9 7/8" Kit (JAAM2637)

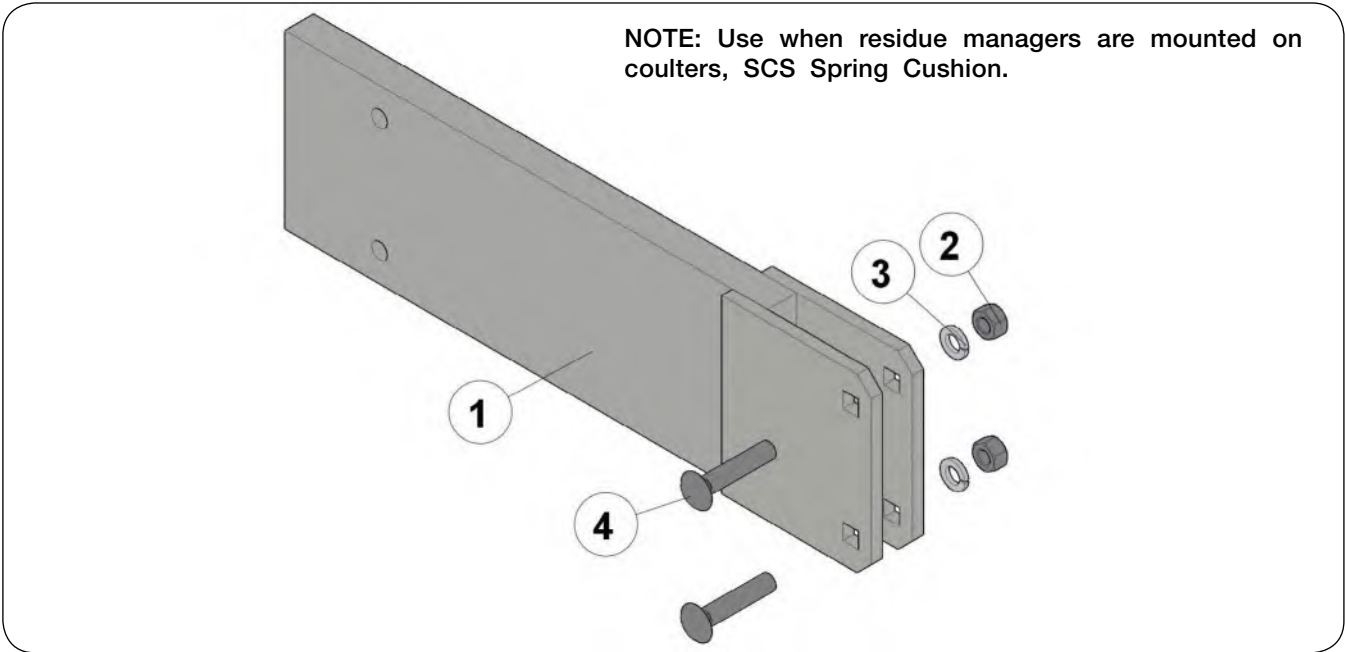
Please visit www.unverferth.com/parts/ for the most current parts listing.



ITEM	PART NUMBER	DESCRIPTION	QTY	NOTES
	JAAM2637	Coulter Bracket Extension 9 7/8" Kit, 1 Row	-	Includes Items 1-4
1	JAM2266	Coulter Shank Bracket Extension 9 7/8" Weldment	1	
2	9394-010	Hex Nut, 1/2"-13UNC	2	
3	9404-025	Lock Washer, 1/2"	2	
4	9388-108	Carriage Bolt, 1/2"-13UNC x 2 1/2" G5	2	

Coulter Bracket Extension 16 7/8" Kit (JAAM2852)

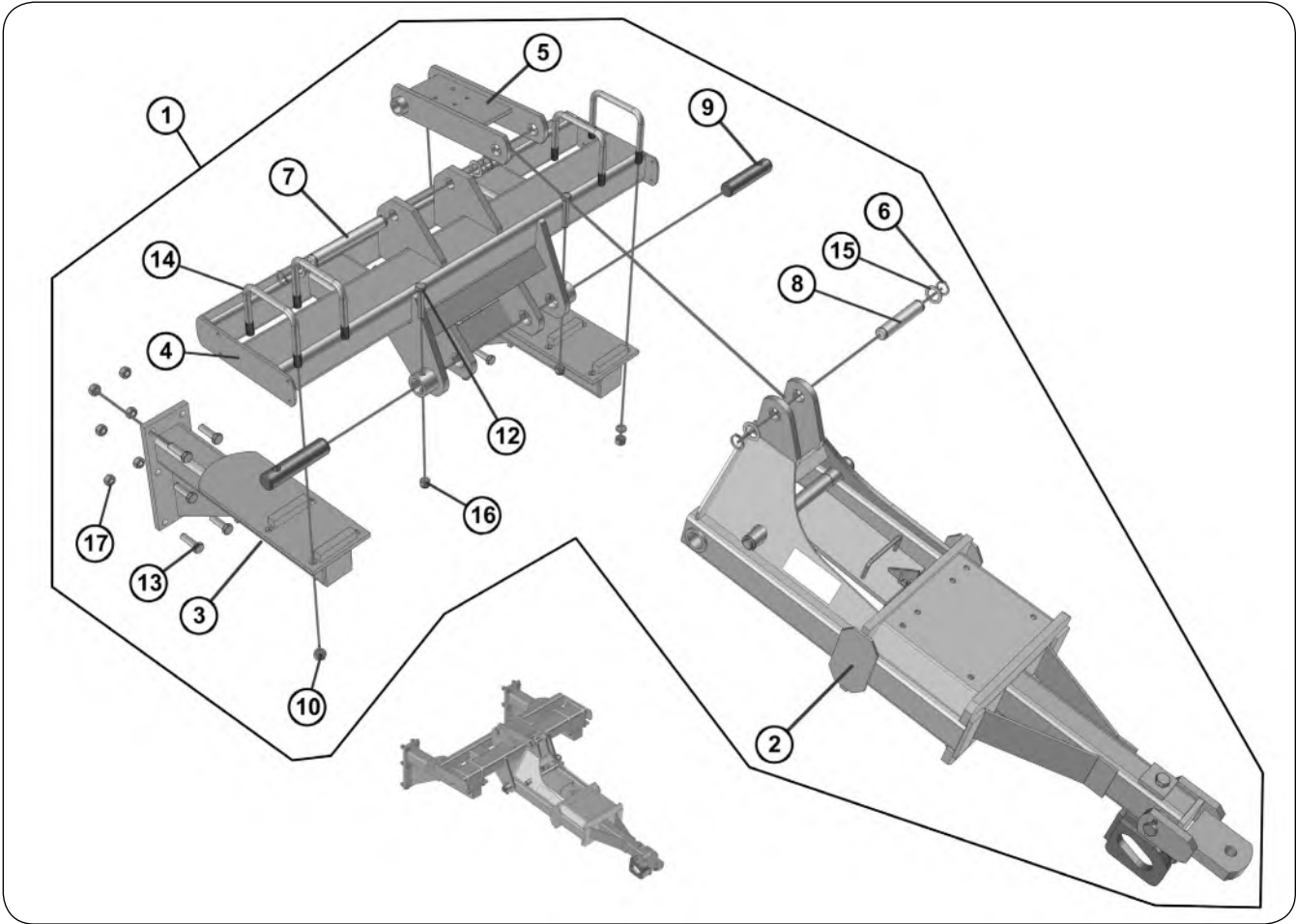
Please visit www.unverferth.com/parts/ for the most current parts listing.



ITEM	PART NUMBER	DESCRIPTION	QTY	NOTES
	JAAM2852	Coulter Bracket Extension 16 7/8" Kit, 1 Row	-	Includes Items 1-4
1	JAM2268	Coulter Shank Bracket Extension 16 7/8" Weldment	1	
2	9394-010	Hex Nut, 1/2"-13UNC	2	
3	9404-025	Lock Washer, 1/2"	2	
4	9388-108	Carriage Bolt, 1/2"-13UNC x 2 1/2" G5	2	

Nurse Tank Hitch Assembly Components

Please visit www.unverferth.com/parts/ for the most current parts listing.



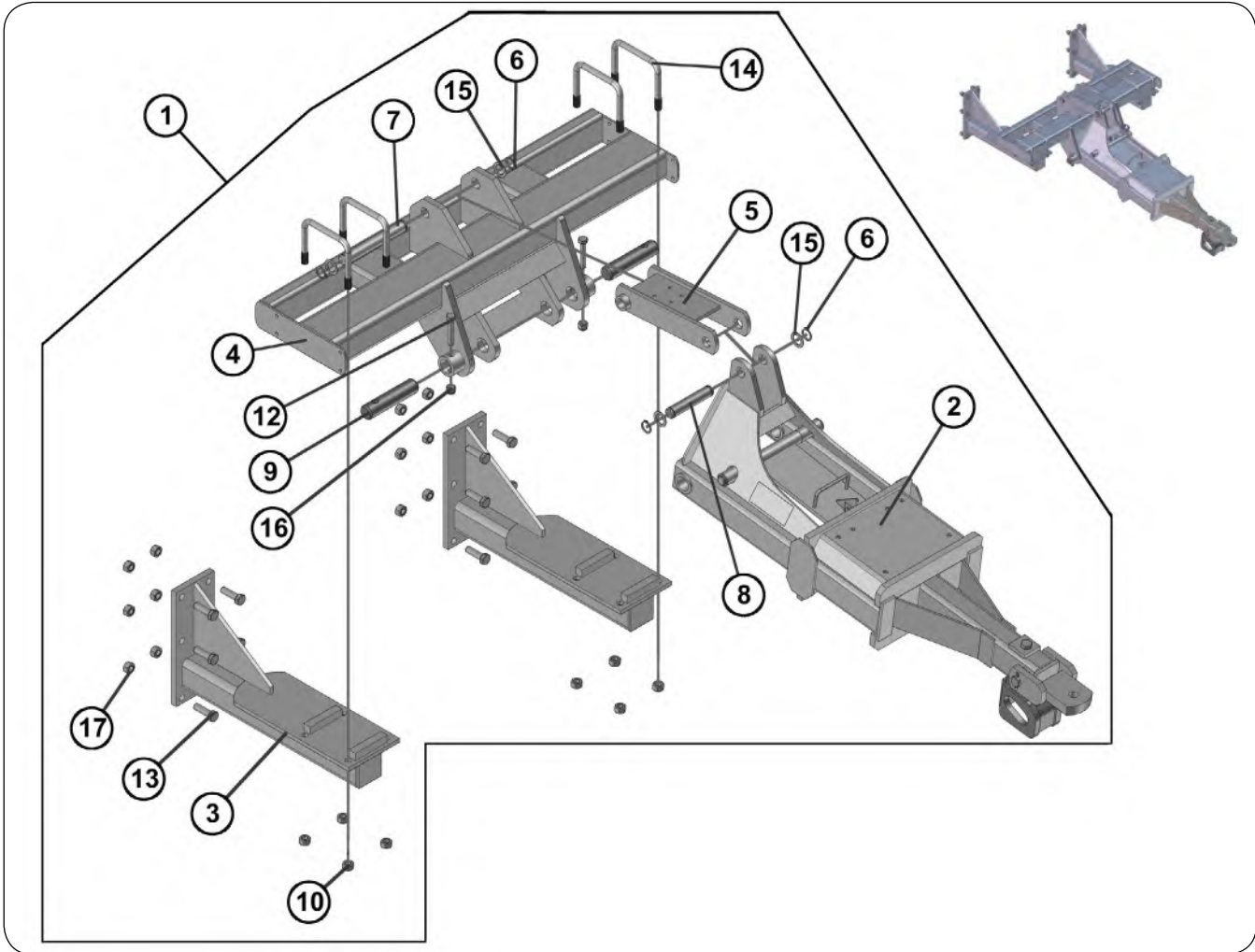
Nurse Tank Hitch Assembly Components

Please visit www.unverferth.com/parts/ for the most current parts listing.

ITEM	PART NUMBER	DESCRIPTION	QTY	NOTES
1	JPKG00234BB	Nurse Tank Hitch Package	1	Includes Item 2-17
2	JAAM2931BB	Assembly, Nurse Tank Hitch, Auto-Lok, Without Pin	1	
3	JAM6220BB	Hitch Mounting Bracket	2	
4	JAM6273BB	Low Bracket, Nurse Tank Hitch Mounting	1	
5	JAM6278	Linkage, Nurse Tank Hitch, 12 3/4"	1	
6	JAP2711	Snap Ring 1 1/4", External Heavy-Duty Retaining Ring	4	
7	JBM3544	Pin, 1 1/4" Dia. x 9"	1	
8	JBM3547	Pin, 1 1/4" Dia. x 5 3/4"	1	
9	JBM3632	Pin, Category 4, Upper Link	2	
10	9394-016	Hex Nut, 3/4"-10UNC	8	
11	N/A		-	
12	9390-130	Capscrew, 5/8"-11UNC x 3 1/2" G5	2	
13	9390-147	Capscrew, 3/4"-10UNC x 2 1/2" G5	12	
14	JBP3208	U-Bolt, 3/4"-10UNC x 6"W x 5 11/16"L	4	
15	91174	Machinery Bushing, 1 7/8" OD x 1 1/4" ID x 14GA	4	
16	9398-019	Elastic Lock Nut, 5/8"-11UNC	2	
17	9802	Lock Nut/Top, 3/4"-10UNC	12	

Nurse Tank Hitch, Low Mounting Components

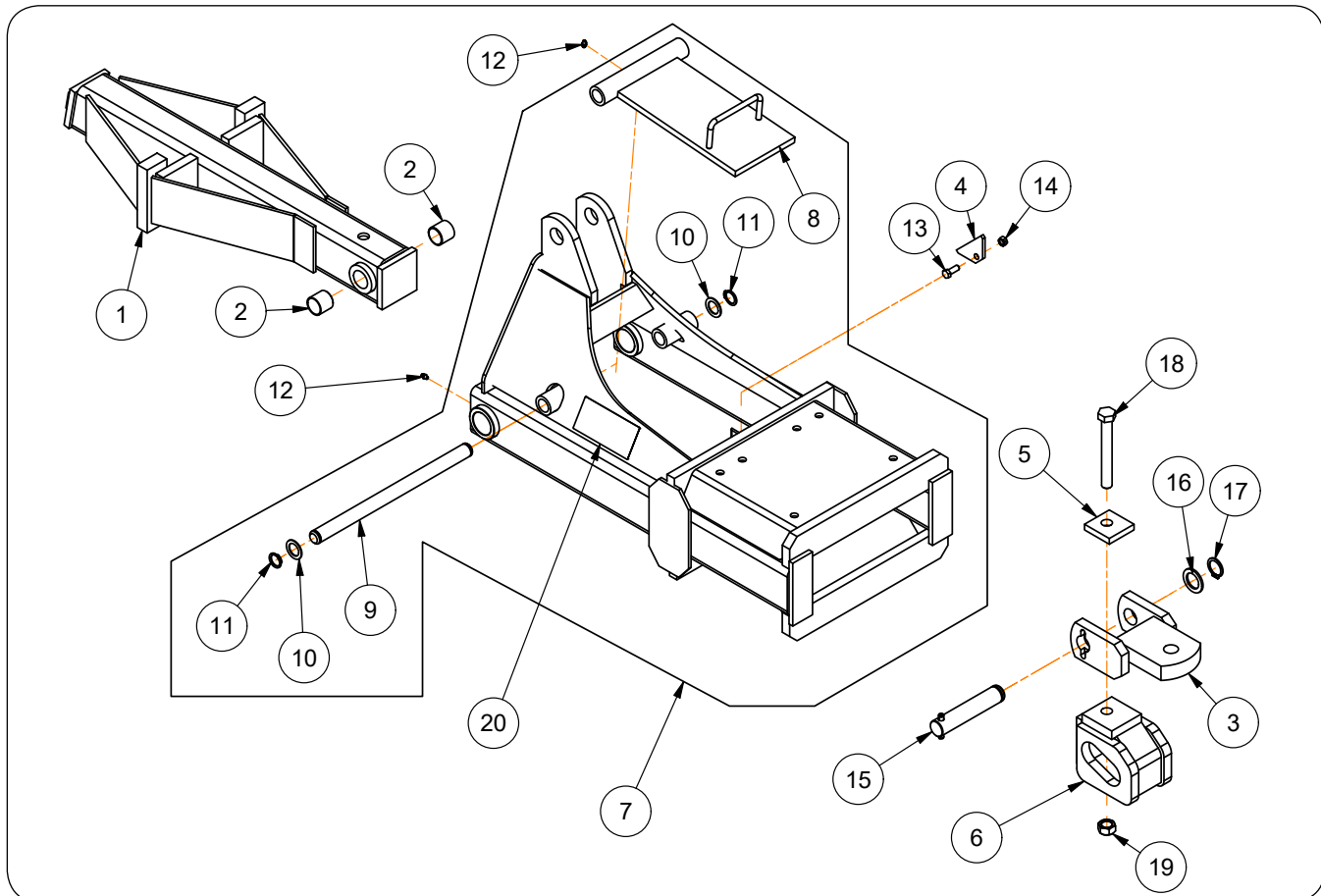
Please visit www.unverferth.com/parts/ for the most current parts listing.



ITEM	PART NUMBER	DESCRIPTION	QTY	NOTES
1	JPKG00247BB	Nurse Tank Hitch Assembly, Low Mounting	1	Includes Item 2-17
2	JAAM2931BB	Assembly, Nurse Tank Hitch, Auto-Lok, Without Pin	1	
3	JAM6234BB	Bracket, Low Hitch Mounting, At6020 Nurse Tank	2	
4	JAM6273BB	Low Bracket, Nurse Tank Hitch Mounting	1	
5	JAM6278	Linkage, Nurse Tank Hitch, 12 3/4"	1	
6	JAP2711	Snap Ring 1 1/4", External Heavy-Duty Retaining Ring	4	
7	JBM3544	Pin, 1 1/4" Dia. x 9"	1	
8	JBM3547	Pin, 1 1/4" Dia. x 5 3/4"	1	
9	JBM3632	Pin, Category 4, Upper Link	2	
10	9802	Lock Nut, 3/4"-10UNC	8	
11	N/A		-	
12	9390-130	Capscrew, 5/8"-11UNC x 3 1/2" G5	2	
13	9390-147	Capscrew, 3/4"-10UNC x 2 1/2" G5	12	
14	JBP3208	U-Bolt, 3/4"-10UNC x 6"W x 5 11/16"L	4	
15	91174	Machinery Bushing, 1 7/8" OD x 1 1/4" ID x 14GA	4	
16	9398-019	Elastic Lock Nut, 5/8"-11UNC	2	
17	9802	Lock Nut/Top, 3/4"-10UNC	12	

Auto-Lok Nurse Tank Hitch Components (Bundle JAAM2931BB)

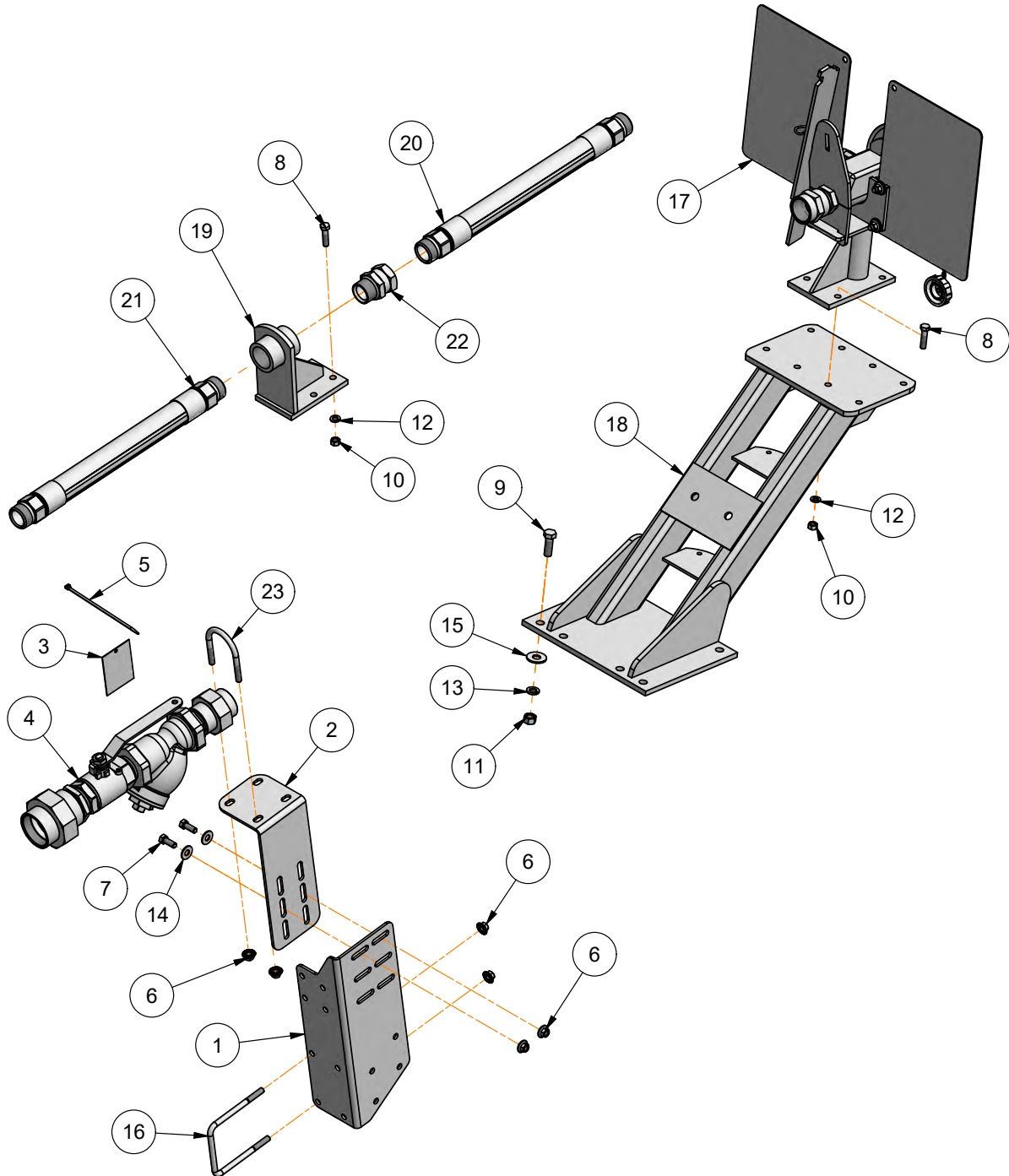
Please visit www.unverferth.com/parts/ for the most current parts listing.



ITEM	PART NUMBER	DESCRIPTION	QTY	NOTES
1	JAM4533BB	Hitch, Swing Slide Insert, Standard	1	Includes Item 2
2	JAP2156	Bushing, 1 13/32" OD x 1 1/4" ID x 1 1/4"	2	
3	JAM4534	Flipper Hitch, Standard, Nurse Tank Hitch	1	
4	JAM4539	Latch	1	
5	JAM4540	Backing Plate, Transport Chain Loop, Std Nurse Tank Hitch	1	
6	JAM6230	Bracket, Transport Chain Attachment	1	
7	JAM6272BB	Hitch, Nurse Tank, Main Frame	1	Includes Items 8-11
8	JAM4536B	Insert Latch, Nurse Tank Hitch	1	
9	JBM3551	Pin, 1" Dia. x 15 11/16"	1	
10	JBP3215	Machinery Bushing, 1 1/2" OD x 1" ID x 14GA	2	
11	91192	Retaining Ring, 1"	2	
12	91160	Grease Zerk 1/4"-28 STT	3	
13	9390-055	Capscrew, 3/8"-16UNC x 1" G5	1	
14	902875	Lock Nut/Center, 3/8"-16UNC	1	
15	JBM3549	Pin, 1 1/4" x 5 5/16" w/ Anti-Rotation Pin	1	
16	JBP3192	Machinery Bushing, 1 7/8" OD x 1 1/4" ID	1	
17	JAP2711	Snap Ring 1 1/4", External Heavy-Duty Retaining Ring	1	
18	91299-157	Capscrew, 3/4"-10UNC x 6" G8	1	
19	97025	Lock Nut/Top, 3/4"-10UNC	1	
20	JAP2585	Decal, Hitch Capacity 25,000 Lbs.	2	

SuperShooter III Connection - Single 1.25" Plumbing

Please visit www.unverferth.com/parts/ for the most current parts listing.



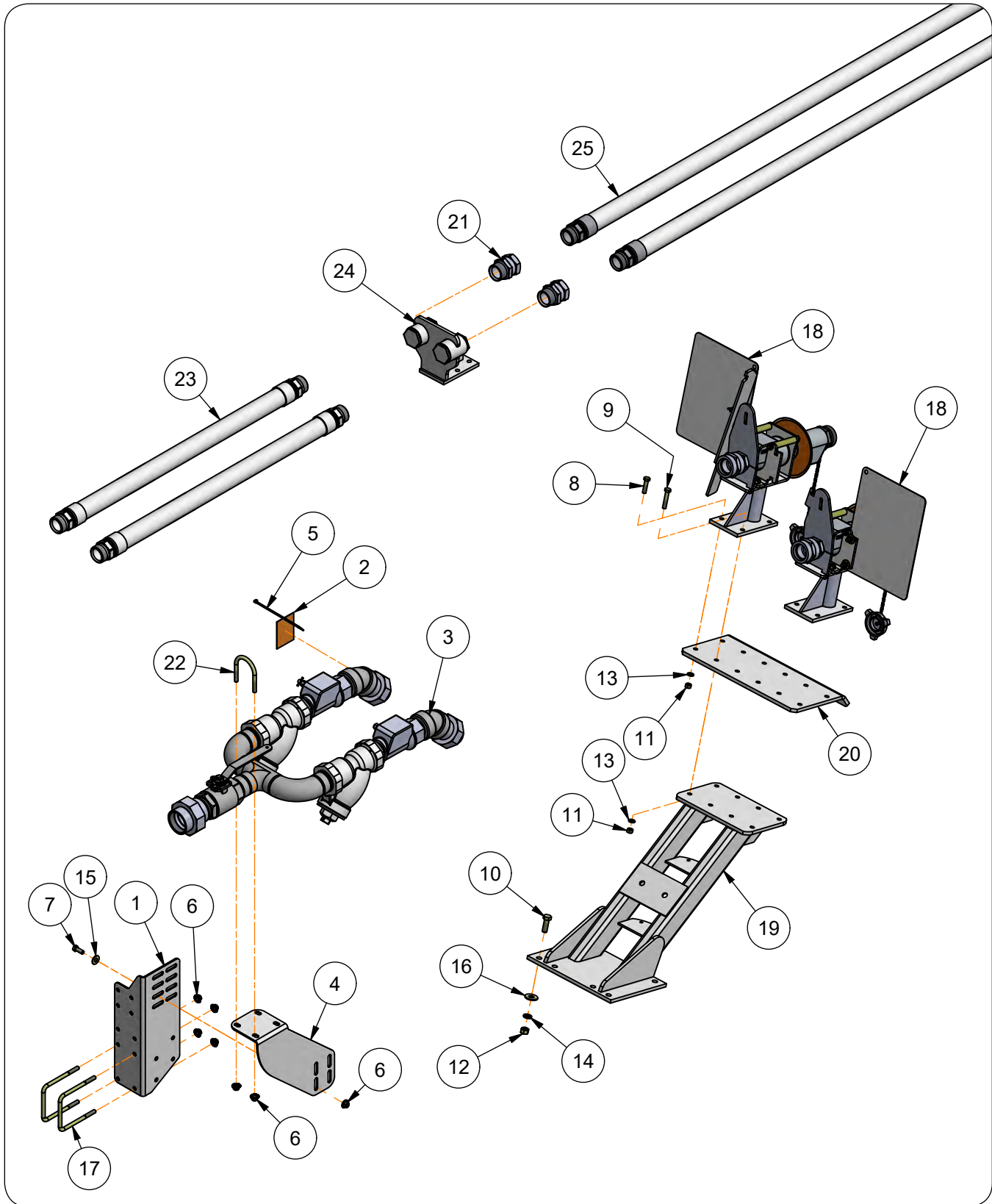
SuperShooter III Connection - Single 1.25" Plumbing

Please visit www.unverferth.com/parts/ for the most current parts listing.

ITEM	PART NUMBER	DESCRIPTION	QTY	NOTES
1	44258B	Support Mounting Plate	1	
2	44260B	Inlet Plumbing Support Plate	1	
3	44568	Leak Test Tag (Double Sided)	1	
4	44635	NH3 Supply Plumbing Assembly - Single 1.25"	1	
5	9000106	Cable Tie, 7 1/2"	1	
6	91263	Nut/Large Flange, 3/8"-16UNC	10	
7	9390-055	Capscrew, 3/8"-16UNC x 1" G5	4	
8	9390-057	Capscrew, 3/8"-16UNC x 1 1/2" G5	8	
9	9390-101	Capscrew, 1/2"-13UNC x 1 1/2" G5	6	
10	9394-006	Hex Nut 3/8"-16UNC	8	
11	9394-010	Hex nut, 1/2"-13UNC	6	
12	9404-021	Lock Washer, 3/8"	8	
13	9404-025	Lock Washer, 1/2"	6	
14	9405-076	Flat Washer, 3/8" USS	4	
15	9405-088	Flat Washer, 1/2" USS	6	
16	9501076	U-Bolt, 3/8"-16UNC x 5", 4 3/8" C/C	2	
17	JAAM3514	SuperShooter III Connection - 1.25" Connection	1	
18	JAM6277	SuperShooter III Connection Riser Weldment	1	
19	JCM2312	Coupler Bracket, Single 1 1/4" NPT	1	
20	JCP2593	NH3 Hose, 1 1/4" x 64", 1 1/4-11.5 NPTF Male x 1 1/4-11.5 NPTF Male, 350 PSI	1	
21	JCP2890	NH3 Hose, 1 1/4" x 120", 1 1/4-11.5 NPTF Male x 1 1/4-11.5 NPTF Male, 350 PSI	1	
22	JDP4397	Pipe Swivel Union, 1 1/4"-11.5 NPT Male x 1 1/4"-11.5 NPTSM Female	1	
23	TA1-902545-0	U-Bolt, 3/8"-16UNC x 3 7/16", 2 3/4" C/C	1	

SuperShooter III Connection - Double 1.25" Plumbing

Please visit www.unverferth.com/parts/ for the most current parts listing.



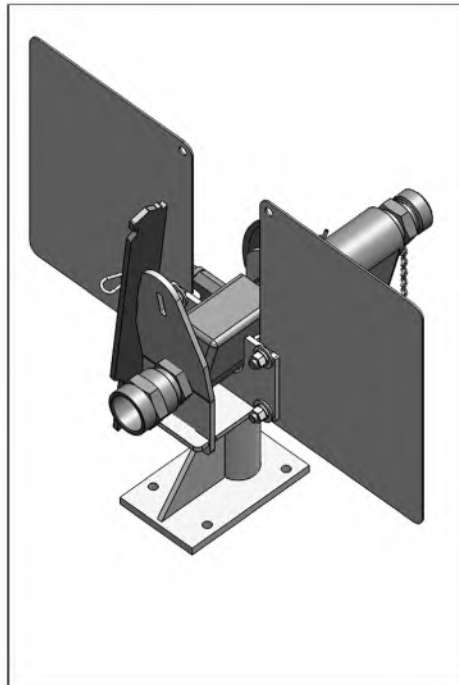
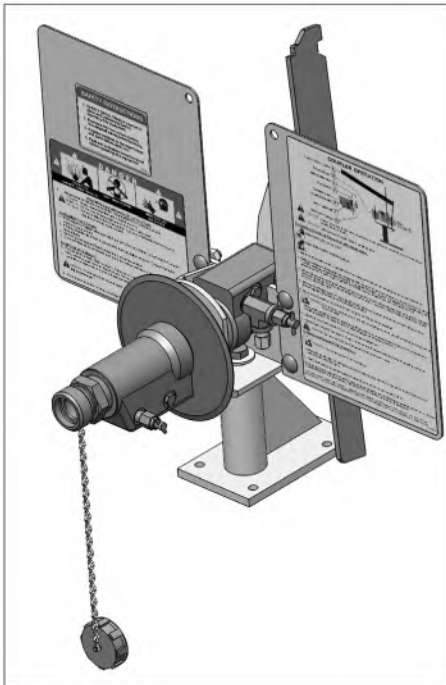
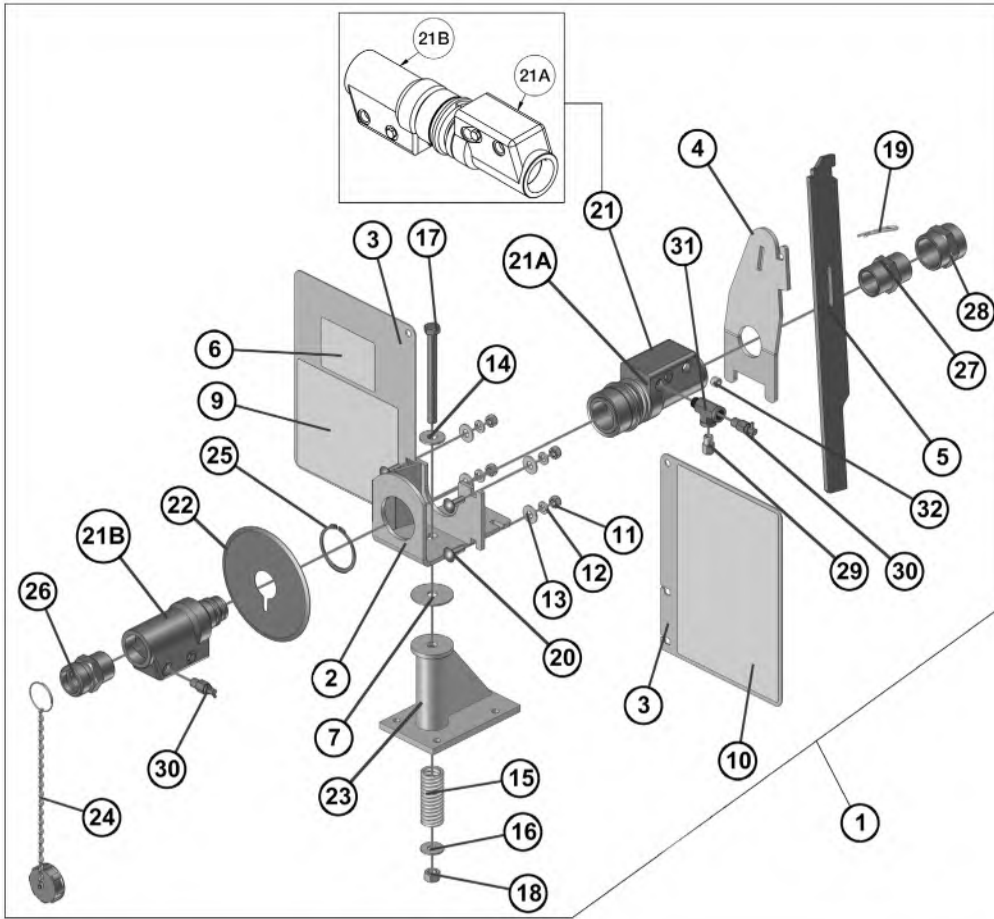
SuperShooter III Connection - Double 1.25" Plumbing

Please visit www.unverferth.com/parts/ for the most current parts listing.

ITEM	PART NUMBER	DESCRIPTION	QTY	NOTES
1	44258B	Support Mounting Plate	1	
2	44568	Leak Test Tag (Double Sided)	2	
3	44678	NH3 Supply Plumbing Assembly - Double 1.25"	1	
4	46182B	Inlet Plumbing Support Plate	1	
5	9000106	Cable Tie, 7 1/2"	2	
6	91263	Nut/Large Flange, 3/8"-16UNC	10	
7	9390-055	Capscrew, 3/8"-16UNC x 1" G5	4	
8	9390-057	Capscrew, 3/8"-16UNC x 1 1/2" G5	16	
9	9390-059	Capscrew, 3/8"-16UNC x 2" G5	4	
10	9390-101	Capscrew, 1/2"-13UNC x 1 1/2" G5	6	
11	9394-006	Hex Nut 3/8"-16UNC	20	
12	9394-010	Hex nut, 1/2"-13UNC	6	
13	9404-021	Lock Washer, 3/8"	20	
14	9404-025	Lock Washer, 1/2"	6	
15	9405-076	Flat Washer, 3/8" USS	4	
16	9405-088	Flat Washer, 1/2" USS	6	
17	9501076	U-Bolt, 3/8"-16UNC x 5", 4 3/8" C/C	2	
18	JAAM3514	SuperShooter III Connection - 1.25" Connection	2	
19	JAM6277	SuperShooter III Connection Riser Weldment	1	
20	JAM7664	Mounting Plate, 10" x 16 1/2"	1	
21	JDP4397	Pipe Swivel Union, 1 1/4"-11.5 NPT Male x 1 1/4"-11.5 NPTSM Female	2	
22	TA1-902545-0	U-Bolt, 3/8"-16UNC x 3 7/16", 2 3/4" C/C	1	
23	9503903	NH3 Hose, 1 1/4" x 108", 1 1/4-11.5 NPTF Male x 1 1/4-11.5 NPTF Male, 350 PSI	2	
24	JCM2313	Coupler Bracket, Double 1 1/4" NPT	1	
25	JCP2593	NH3 Hose, 1 1/4" x 64", 1 1/4-11.5 NPTF Male x 1 1/4-11.5 NPTF Male, 350 PSI	2	

SuperShooter III Components - 1.25" Connection (JAAM3514)

Please visit www.unverferth.com/parts/ for the most current parts listing.



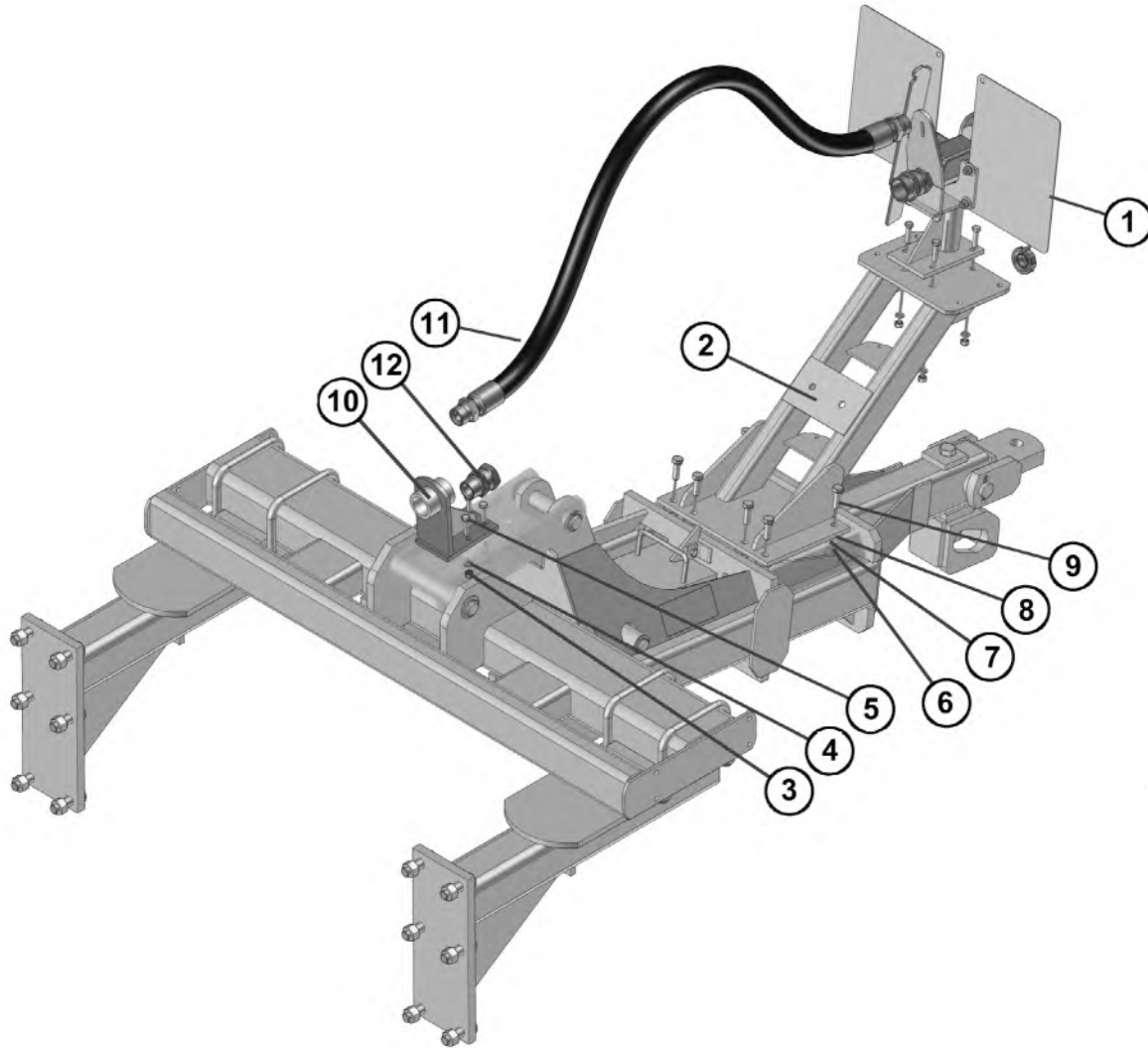
SuperShooter III Components - 1.25" Connection (JAAM3514)

Please visit www.unverferth.com/parts/ for the most current parts listing.

ITEM	PART NUMBER	DESCRIPTION	QTY	NOTES
1	JAAM3514	SuperShooter III / 1 1/4" Squibb Coupler / Bodyguard III	-	Includes Items 2-32
2	JAM7634	Valve Mounting Weldment	1	
3	JAM7635	Decal Plate	2	
4	JAM7660	Coupler Release Plate	1	
5	JAM7661	Coupler Release Handle	1	
6	JAP2227	Decal, Safety Instruction, NH3	1	
7	JAP2418	Spring Retainer Washer	1	
9	JAP2973	Decal, SuperShooters III, Hook-Up Instructions	1	
10	JAP2974	Decal, SuperShooter III, Squibb Coupler Operation	1	
11	9394-006	Hex Nut, 3/8"-16UNC	4	
12	9404-021	Lock Washer, 3/8"	4	
13	9405-074	Flat Washer, 3/8" SAE	4	
14	9405-088	Flat Washer, 1/2" USS	1	
15	JBP3084	Compression Spring 1.25" Dia. x 4 1/2"	1	
16	9405-082	Flat Washer, 7/16" USS	1	
17	9390-114	Capscrew, 1/2"-13UNC x 5 1/2" G5	1	
18	94981	Lock Nut/Center, 1/2"-13UNC	1	
19	JBP3504	Hairpin Cotter 1/8" Dia. x 2 1/2"	1	
20	9388-051	Carriage Bolt, 3/8"-16UNC x 1" G5	4	
21	JCCP2403	Flo-Max 1 1/4" Coupler Set Less Bracket, FM126-1000	1	Includes Items 21A & 21B
	JCP2457	Flo-Max 1 1/4" Coupler O-Ring Kit	-	
21A	JCP2405	Flo-Max 1 1/4" Coupler Female Half, SFM125/126-1100	1	
21B	JCP2406	Flo-Max 1 1/4" Coupler Male Half, SFM125/126-1200	1	
22	9503899	Body Guard, SuperShooter 1 1/4", Smooth Gloss Polycarbonate Orange w/Black Screen Print	1	
23	JCM2320	SuperShooter Pedestal Weldment	1	
24	JCP2401	Dust Cap with Chain	1	
25	JCP2416	Snap Ring For Flo-Max 1 1/4" Coupler	1	
26	JCP2423	ACME Adapter 1 1/4" MPT x 1 3/4" AM	1	
27	JCP2522	Hex Nipple, 1 1/4" NPT, 3000 PSI Trivalent	1	
28	JCP2566	Coupling, 1 1/4" FPT., Steel	1	
29	JCP2837	Hydrostatic Relief Valve, Pressure Relief Set At 350 PSI Inlet 1/4"-18 NPT	1	
30	JCP2838	Bleeder Valve 1/4"-18 NPT w/T-Handle	2	
31	TA0-934667-0	Street Tee, 1/4"-18 NPTF Male x 1/4"-18 NPTF Female x 1/4"-18 NPT Female	1	
32	JDP4657	Hollow Hex Pipe Plug, 1/4"-18 NPT, Stainless Steel	1	

SuperShooter III Single 1 1/4" Assembly, Less Distribution

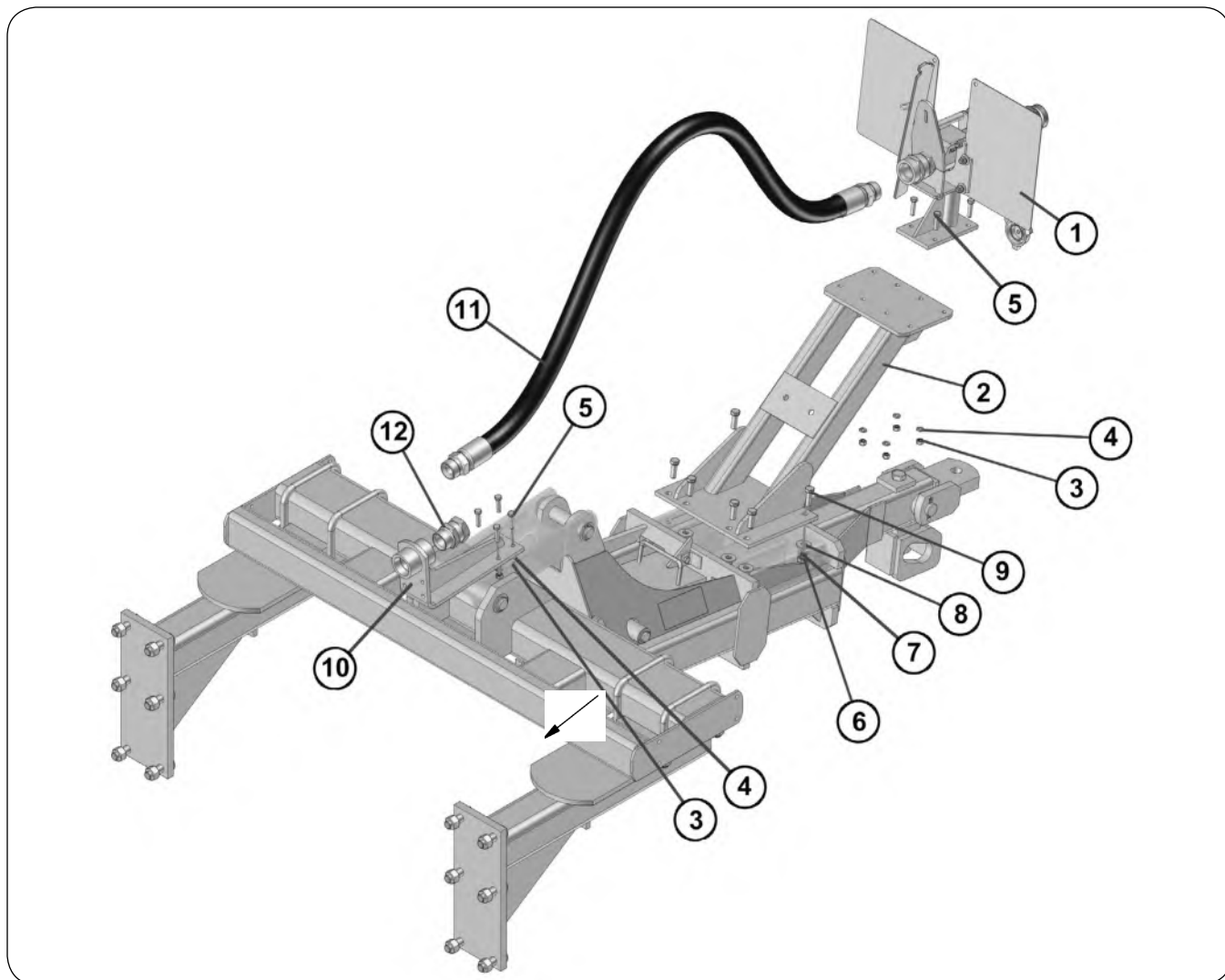
Please visit www.unverferth.com/parts/ for the most current parts listing.



ITEM	PART NUMBER	DESCRIPTION	QTY	NOTES
	J66000136	SuperShooter III Single 1 1/4" Assembly, Less Distribution	-	Includes Items 1-12
1	JAAM3514	SuperShooter III / 1 1/4" Squibb Coupler / Bodyguard III	2	
2	JAM6277	SuperShooter Riser, Auto-Lok Hitch	2	
3	9394-006	Hex Nut, 3/8"-16UNC	2	
4	9404-021	Lock Washer, 3/8"	2	
5	9390-057	Capscrew, 3/8"-16UNC x 1 1/2" G5	2	
6	9394-010	Hex Nut, 1/2"-13UNC	2	
7	9404-025	Lock Washer, 1/2"	2	
8	9405-088	Flat Washer, 1/2" USS	4	
9	9390-101	Capscrew, 1/2"-13UNC x 1 1/2" G5	4	
10	JCM2312	Coupler Bracket, Single, 1 1/4" NPT	8	
11	JCP2593	Hose, NH3, 1 1/4" x 64"	4	
12	JDP4397	Adapter, 1 1/4" NPTF Male x 1 1/4" NPSM Swivel	2	

SuperShooter III Max Single 1 1/2" Assembly, Less Distribution

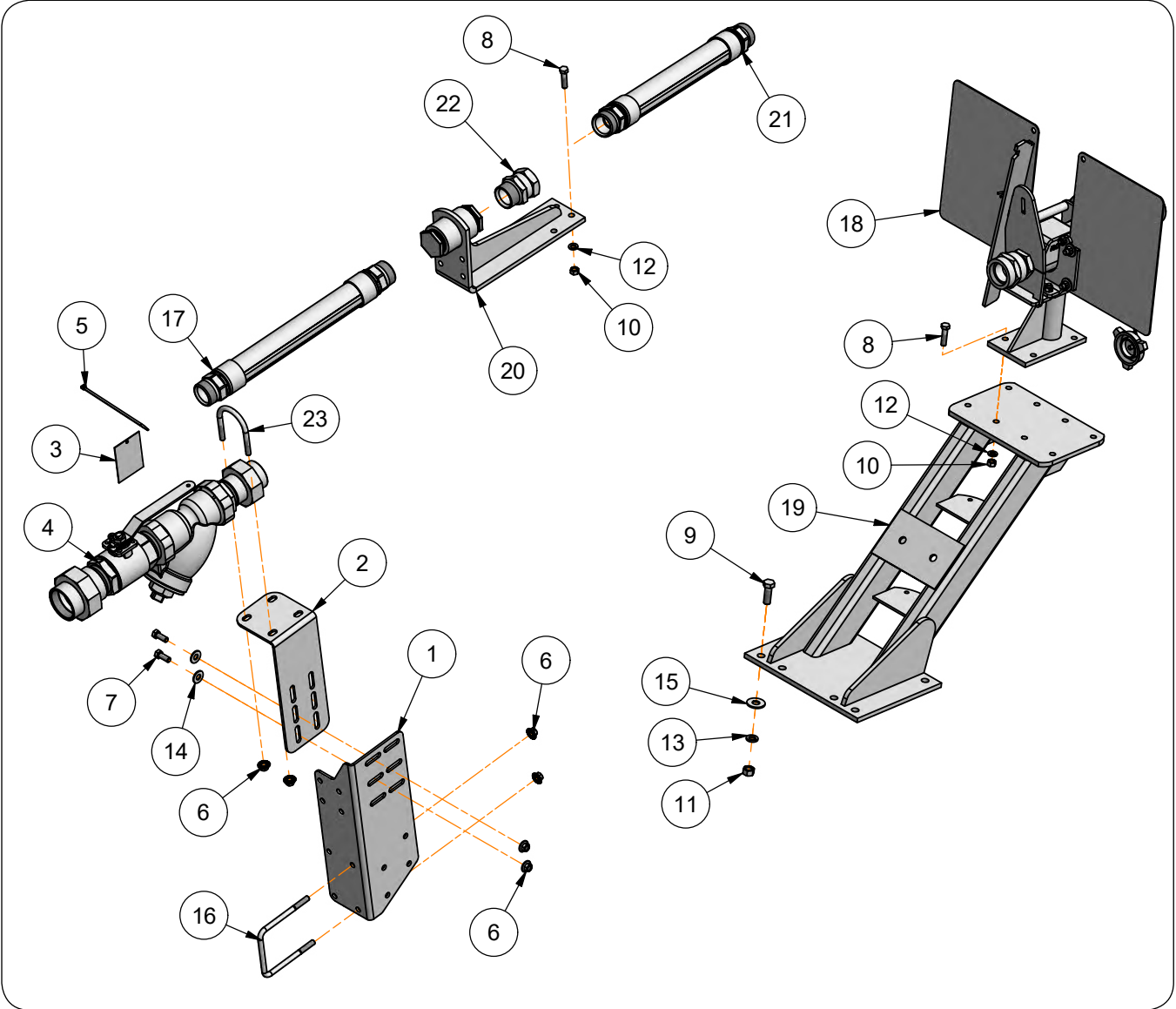
Please visit www.unverferth.com/parts/ for the most current parts listing.



ITEM	PART NUMBER	DESCRIPTION	QTY	NOTES
	J66000150	SuperShooter III Max Single 1 1/2" Assembly, Less Distribution	-	Includes Items 1-12
1	JAAM3516	SuperShooter III Max / 1 1/2" Squibb Coupler / Bodyguard III	2	
2	JAM6277	SuperShooter Riser, Auto-Lok Hitch	2	
3	9394-006	Hex Nut, 3/8"-16UNC	2	
4	9404-021	Lock Washer, 3/8"	2	
5	9390-057	Capscrew, 3/8"-16UNC x 1 1/2" G5	2	
6	9394-010	Hex Nut, 1/2"-13UNC	2	
7	9404-025	Lock Washer, 1/2"	2	
8	9405-088	Flat Washer, 1/2" USS	4	
9	9390-101	Capscrew, 1/2"-13UNC x 1 1/2" G5	4	
10	JCM2324	Coupler Bracket, Single, 1 1/2" NPT	8	
11	JCP2595	Hose, NH3, 1 1/2" x 72"	4	
12	JDP4675	Adapter, 1 1/2" NPTF Male x 1 1/2" NPSM Swivel	2	

SuperShooter III Connection - Single 1.5" Plumbing

Please visit www.unverferth.com/parts/ for the most current parts listing.



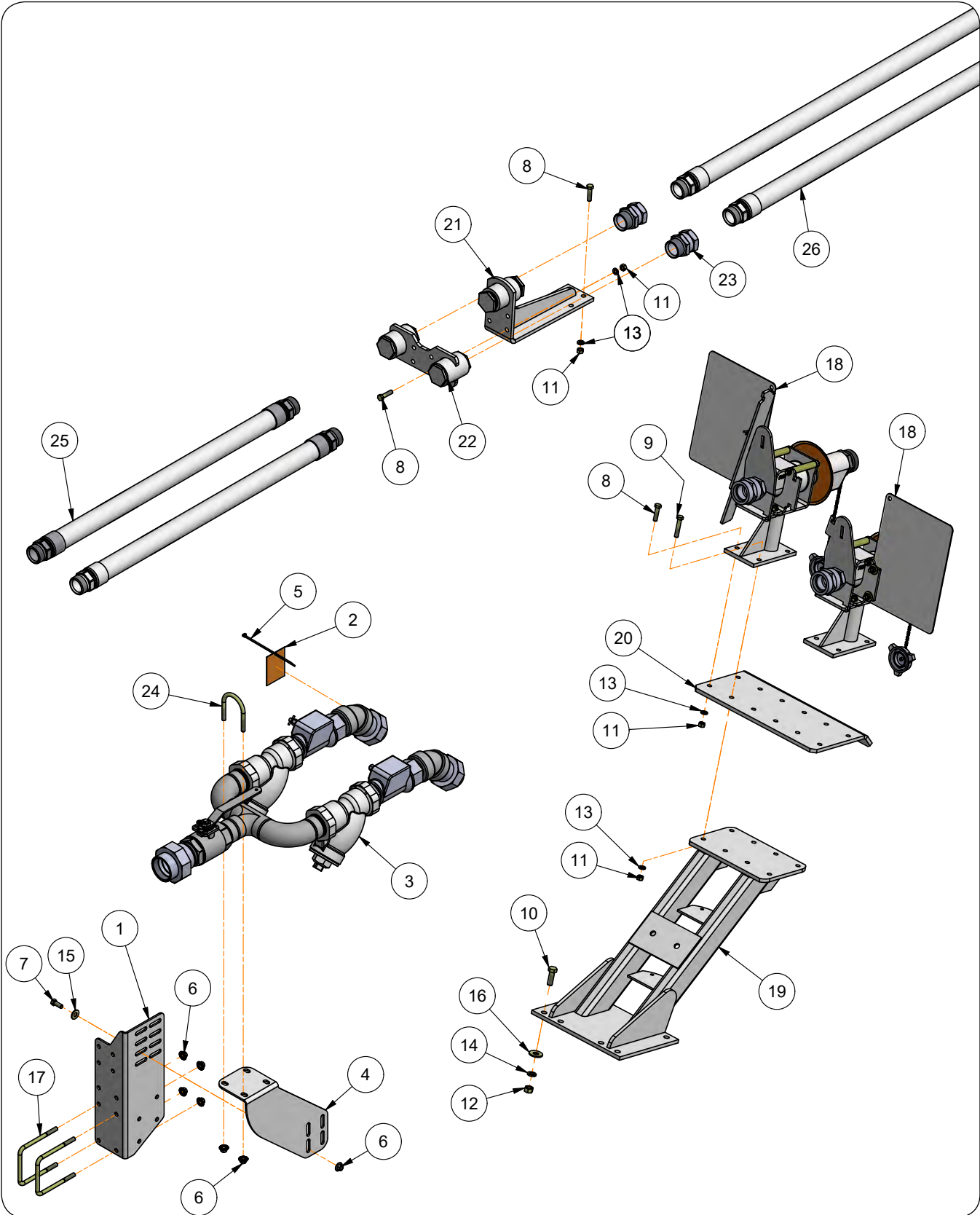
SuperShooter III Connection - Single 1.5" Plumbing

Please visit www.unverferth.com/parts/ for the most current parts listing.

ITEM	PART NUMBER	DESCRIPTION	QTY	NOTES
1	44258B	Support Mounting Plate	1	
2	44260B	Inlet Plumbing Support Plate	1	
3	44568	Leak Test Tag (Double Sided)	1	
4	44690	NH3 Supply Plumbing Assembly - Single 1.5"	1	
5	9000106	Cable Tie, 7 1/2"	1	
6	91263	Nut/Large Flange, 3/8"-16UNC	10	
7	9390-055	Capscrew, 3/8"-16UNC x 1" G5	4	
8	9390-057	Capscrew, 3/8"-16UNC x 1 1/2" G5	8	
9	9390-101	Capscrew, 1/2"-13UNC x 1 1/2" G5	6	
10	9394-006	Hex Nut 3/8"-16UNC	8	
11	9394-010	Hex nut, 1/2"-13UNC	6	
12	9404-021	Lock Washer, 3/8"	8	
13	9404-025	Lock Washer, 1/2"	6	
14	9405-076	Flat Washer, 3/8" USS	4	
15	9405-088	Flat Washer, 1/2" USS	6	
16	9501076	U-Bolt, 3/8"-16UNC x	2	
17	9503378	NH3 Hose, 1 1/2" x 120", 1 1/2-11.5 NPTF Male x 1 1/2-11.5 NPTF Male, 350 PSI	1	
18	JAAM3516	SuperShooter III Connection - 1.5" Connection	1	
19	JAM6277	SuperShooter III Connection Riser Weldment	1	
20	JCM2324	Coupler Bracket, Single 1 1/2" NPT	1	
21	JCP2595	NH3 Hose, 1 1/2" x 72", 1 1/2-11.5 NPTF Male x 1 1/2-11.5 NPTF Male, 350 PSI	1	
22	JDP4675	Pipe Swivel Union, 1 1/2"-11.5 NPT Male x 1 1/2"-11.5 NPTSM Female	1	
23	TA1-902545-0	U-Bolt, 3/8"-16UNC x 3 7/16", 2 3/4" C/C	1	

SuperShooter III Connection - Double 1.5" Plumbing

Please visit www.unverferth.com/parts/ for the most current parts listing.



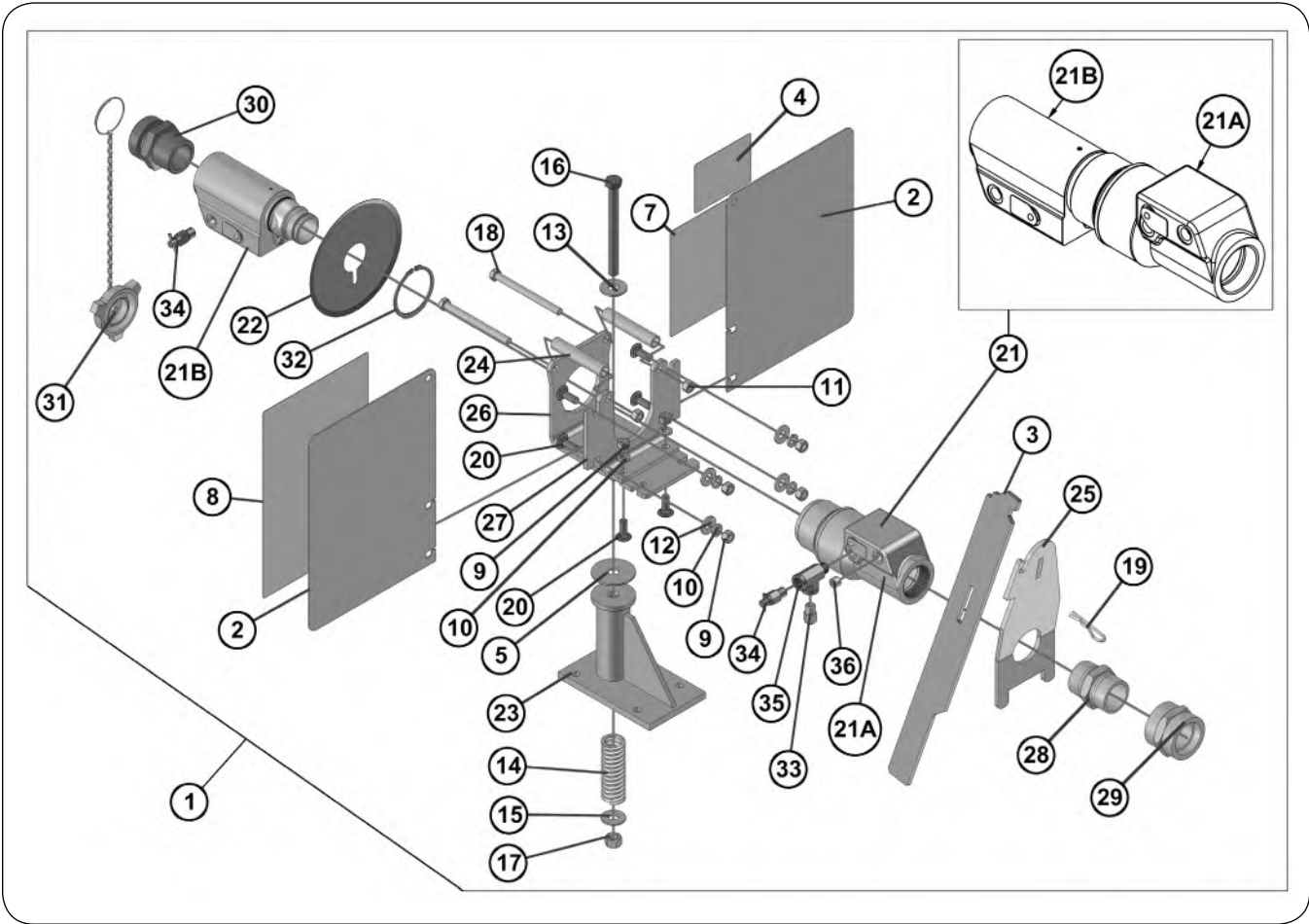
SuperShooter III Connection - Double 1.5" Plumbing

Please visit www.unverferth.com/parts/ for the most current parts listing.

ITEM	PART NUMBER	DESCRIPTION	QTY	NOTES
1	44258B	Support Mounting Plate	1	
2	44568	Leak Test Tag (Double Sided)	2	
3	44679	NH3 Supply Plumbing Assembly - Double 1.5"	1	
4	46182B	Inlet Plumbing Support Plate	1	
5	9000106	Cable Tie, 7 1/2"	2	
6	91263	Nut/Large Flange, 3/8"-16UNC	10	
7	9390-055	Capscrew, 3/8"-16UNC x 1" G5	4	
8	9390-057	Capscrew, 3/8"-16UNC x 1 1/2" G5	16	
9	9390-059	Capscrew, 3/8"-16UNC x 2" G5	4	
10	9390-101	Capscrew, 1/2"-13UNC x 1 1/2" G5	6	
11	9394-006	Hex Nut 3/8"-16UNC	20	
12	9394-010	Hex nut, 1/2"-13UNC	6	
13	9404-021	Lock Washer, 3/8"	20	
14	9404-025	Lock Washer, 1/2"	6	
15	9405-076	Flat Washer, 3/8" USS	4	
16	9405-088	Flat Washer, 1/2" USS	6	
17	9501076	U-Bolt, 3/8"-16UNC x 5", 4 3/8" C/C	2	
18	JAAM3516	SuperShooter III Connection - 1.5" Connection	2	
19	JAM6277	SuperShooter III Connection Riser Weldment	1	
20	JAM7664	Mounting Plate, 10" x 16 1/2"	1	
21	JCM2324	Coupler Bracket, Single 1 1/2" NPT	1	
22	JCM2325	Coupler Bracket, Double 1 1/2" NPT	1	
23	JDP4675	Pipe Swivel Union, 1 1/2"-11.5 NPT Male x 1 1/2"-11.5 NPTSM Female	2	
24	TA1-902545-0	U-Bolt, 3/8"-16UNC x 3 7/16", 2 3/4" C/C	1	
25	9503906	NH3 Hose, 1 1/2" x 108", 1 1/2-11.5 NPTF Male x 1 1/2-11.5 NPTF Male, 350 PSI	2	
26	JCP2595	NH3 Hose, 1 1/2" x 72", 1 1/2-11.5 NPTF Male x 1 1/2-11.5 NPTF Male, 350 PSI	2	

SuperShooter III Max Components (JAAM3516)

Please visit www.unverferth.com/parts/ for the most current parts listing.



SuperShooter III Max Components (JAAM3516)

Please visit www.unverferth.com/parts/ for the most current parts listing.

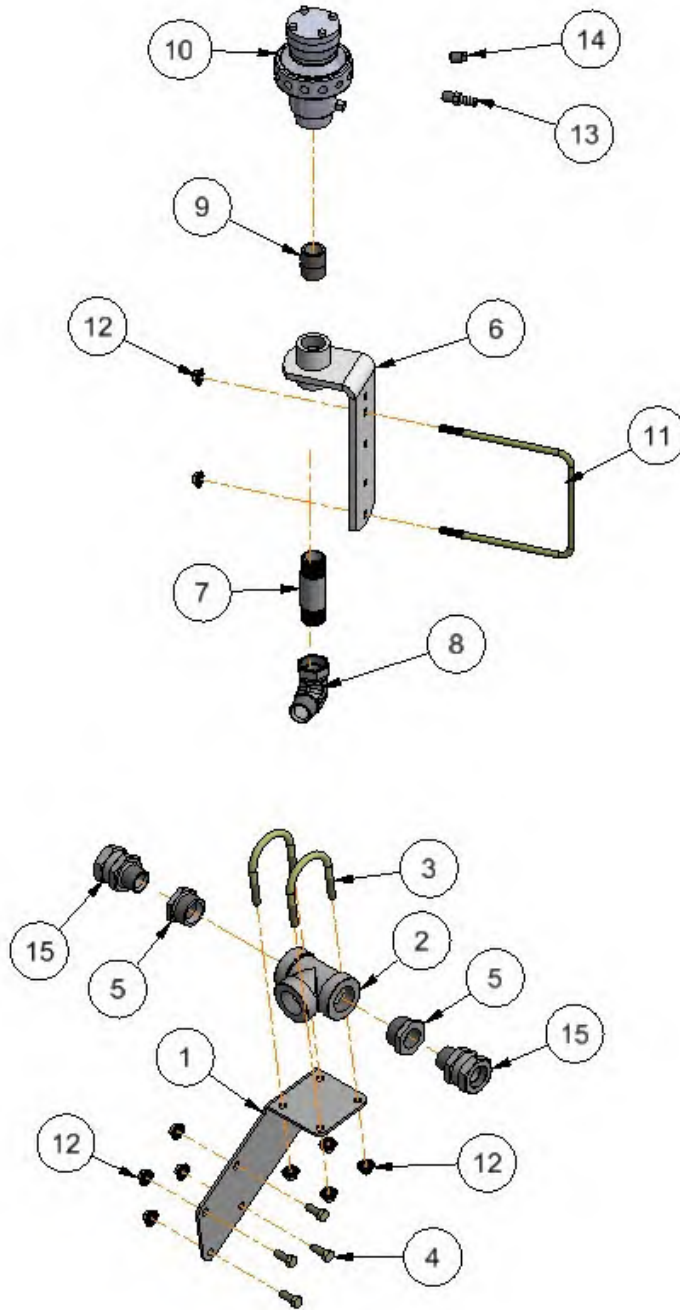
ITEM	PART NUMBER	DESCRIPTION	QTY	NOTES
1	JAAM3516	SuperShooter III Max / 1 1/2" Squibb Coupler / Bodyguard III	-	Includes Items 2-36
2	JAM7635	Decal Plate	2	
3	JAM7661	Coupler Release Handle	1	
4	JAP2227	Decal, Safety Instruction, NH3	1	
5	JAP2418	Spring Retainer Washer	1	
7	JAP2973	Decal, SuperShooters III, Hook-Up Instructions	1	
8	JAP2974	Decal, SuperShooter III, Squibb Coupler Operation	1	
9	9394-006	Hex Nut, 3/8"-16UNC	6	
10	9404-021	Lock Washer, 3/8"	6	
11	902875	Lock Nut/Center, 3/8"-16UNC	2	
12	9405-076	Flat Washer, 3/8" USS	4	
13	9405-088	Flat Washer, 1/2" USS	1	
14	JBP3084	Compression Spring 1.25" Dia. x 4 1/2"	1	
15	9405-082	Flat Washer, 7/16" USS	1	
16	9390-114	Capscrew, 1/2"-13UNC x 5 1/2" G5	1	
17	94981	Lock Nut/Center, 1/2"-13UNC	1	
18	9390-068	Capscrew, 3/8"-16UNC x 4 1/2" G5	2	
19	JBP3504	Hairpin Cotter 1/8" Dia. x 2 1/2"	1	
20	9388-051	Carriage Bolt, 3/8"-16UNC x 1" G5	6	
21	JCCP2405	Flo-Max 1 1/2" Coupler Set Less Bracket, FM150-1000	1	Includes Items 21A & 21B
	9504234	Flo-Max 1 1/2" Coupler, O-Ring Kit	-	
21A	JCP2691	Flo-Max 1 1/2" Coupler Female Half, SFM150-1100	1	
21B	JCP2692	Flo-Max 1 1/2" Coupler Male Half, SFM150-1200	1	
22	9503900	Body Guard, SuperShooter 1 1/2", Smooth Gloss Polycarbonate Orange w/Black Screen Print	1	
23	JCM2320	SuperShooter Pedestal Weldment	1	
24	JCM2322	Spacer Tube	2	
25	JCM2323	Coupler Release Plate	1	
26	JCM2326	Valve Mounting Plate	1	
27	JCM2327	Decal Mounting Plate	1	
28	JCP2685	Hex Pipe Nipple 1 1/2"-11 1/2" NPTF Male x 1 1/2"-11 1/2" NPTF Male	1	
29	JCP2686	Pipe Coupling 1 1/2"-11 1/2" NPTF Female x 1 1/2"-11 1/2" NPTF Female	1	
30	JCP2688	Adapter NH3, 2 1/4" ACME Male x 1 1/2" MPT	1	
31	JCP2689	Dust Cap 2 1/4" ACME Female w/Chain & Snap Ring	1	
32	JCP2693	Snap Ring 2 11/16" Dia. x .078", External Retaining Ring	1	
33	JCP2837	Hydrostatic Relief Valve, Pressure Relief Set At 350 PSI Inlet 1/4"-18 NPT	1	
34	JCP2838	Bleeder Valve 1/4"-18 NPT w/T-Handle	2	
35	TA0-934667-0	Street Tee, 1/4"-18 NPTF Male x 1/4"-18 NPTF Female x 1/4"-18 NPT Female	1	
36	JDP4657	Hollow Hex Pipe Plug, 1/4"-18 NPT, Stainless Steel	1	

Impellicone and Mounting Hardware - 2 Section John Blue

Please visit www.unverferth.com/parts/ for the most current parts listing.

IMPELLICONE 13 PORT - 30" SPACING

IMPELLICONE 18 PORT - 20" SPACING



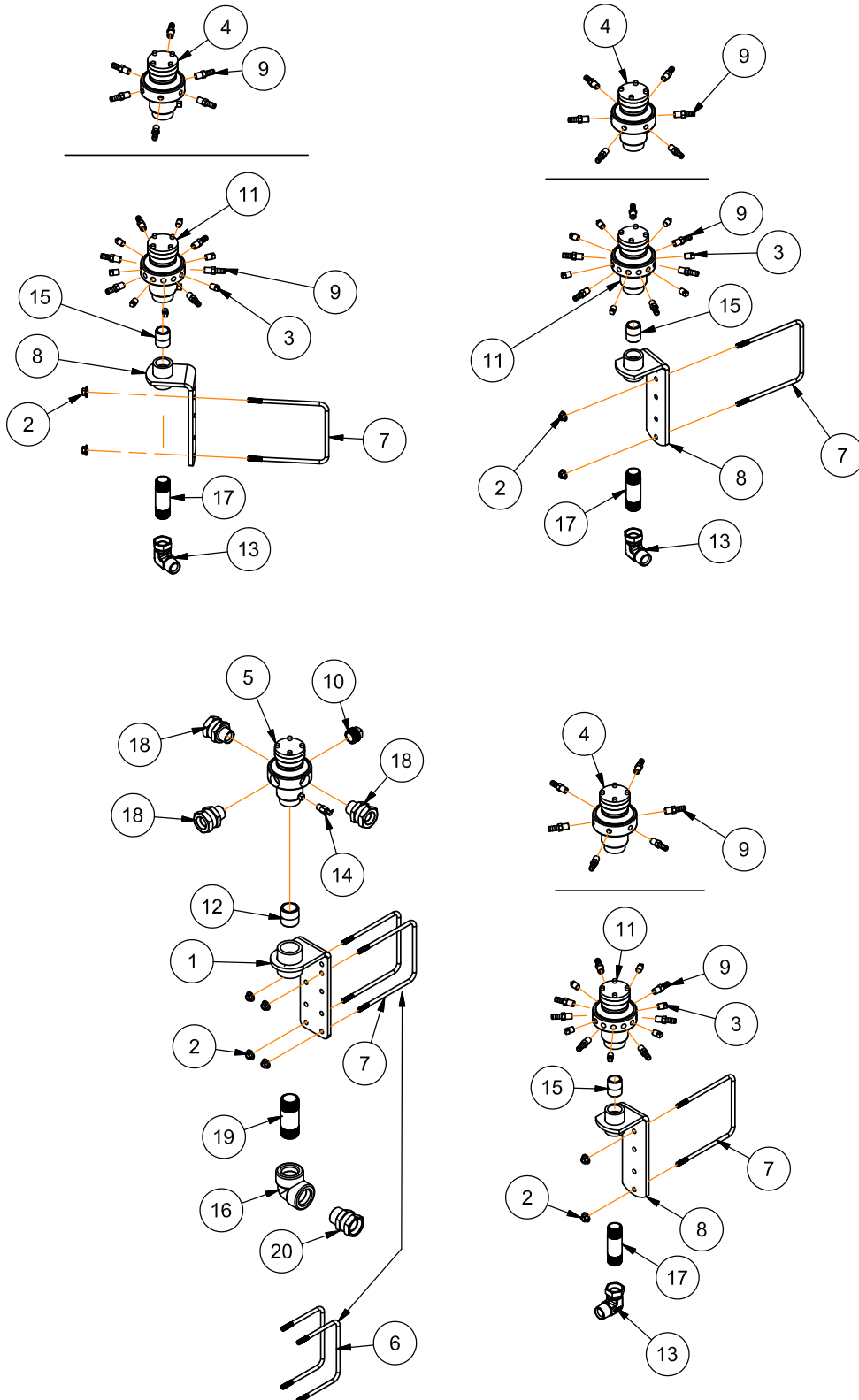
Impellicone and Mounting Hardware - 2 Section John Blue

Please visit www.unverferth.com/parts/ for the most current parts listing.

ITEM	PART NUMBER	DESCRIPTION	QTY					
			18 ROW 30"	19 ROW 30"	23 ROW 30"	24 ROW 30"	25 ROW 30"	28 ROW 20"
	43692	NH3 Applicator 2-Section/13-Port		1				-
	43699	NH3 Applicator 2-Section/18-Port		-				1
1	44263B	Distribution Tee Mounting Bracket =Black=		1				1
2	JDP4037	Pipe Tee 1 1/4-11.5 NPT Female		1				1
3	TA1-902545-0	U-Bolt, 3/8"-16UNC x 3 7/16", 2 3/4" C/C		2				2
4	9390-055	Capscrew, 3/8"-16UNC x 1" G5		4				4
5	JDP4046	Reducer Bushing, 1 1/4-11.5 NPT Male x 1-11.5 NPT Female		2				2
6	JCM2328	Equa-Flow Mounting Bracket		2				2
7	JDP4130	Nipple, 1-11.5 NPT Male x 4"		2				2
8	JCP2741	90° Elbow, 1-11.5 NPT Male x 1-11.5 NPT Female		2				2
9	JDP4034	Nipple, 1-11.5 NPT Male x 1 9/16"		2				2
10	JCP2564	Impellicone 13 Port Flow Divider Pressure Gauge & Outlet Ports		2				-
	9504212	Replacement Needle		-				-
	9504213	Replacement O-Ring		-				-
	JCP2565	Impellicone 18 Port Flow Divider Pressure Gauge & Outlet Ports		-				2
	9504214	Replacement Needle		-				-
	9504215	Replacement O-Ring		-				-
11	JBP3351	U-Bolt, 3/8"-16UNC x 7", 6 7/16" C/C		2				2
12	91263	Nut/Large Flange 3/8"-16UNC		12				12
13	JCP2308	Hose Barb 1/4" NPT Male x 3/8" Hose Barb		25				36
14	92350	Plug, 1/4"-18 NPTF Male w/Square Head		14				9
15	JDP4598	Pipe Swivel Union 1-11.5 NPT Male x 1-11.5 NPSM Female		2				2

Impellicone and Mounting Hardware - 3 Section John Blue

Please visit www.unverferth.com/parts/ for the most current parts listing.



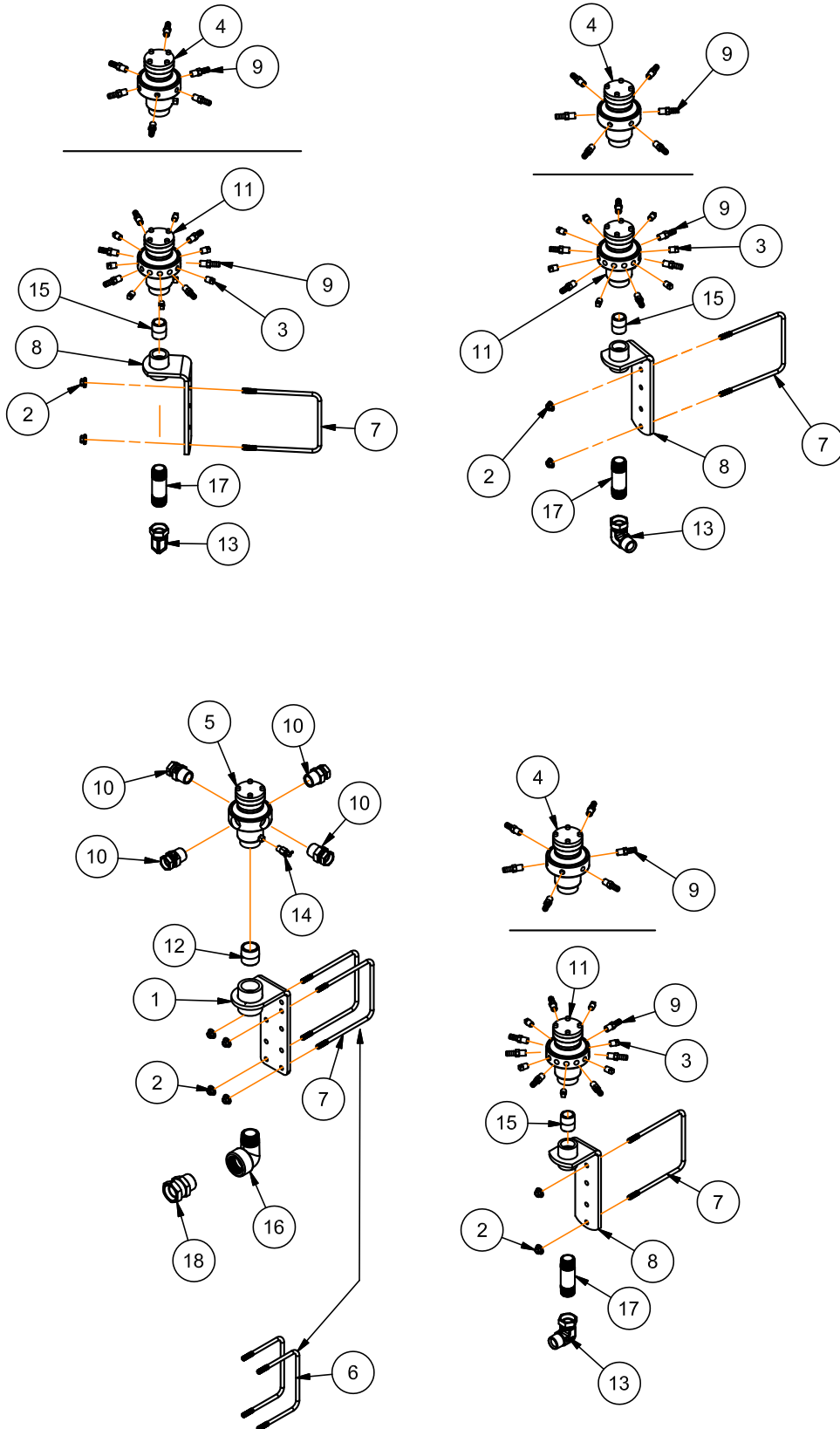
Impellicone and Mounting Hardware - 3 Section John Blue

Please visit www.unverferth.com/parts/ for the most current parts listing.

ITEM	PART NUMBER	DESCRIPTION	QTY					
			18 ROW 30"	19 ROW 30"	23 ROW 30"	24 ROW 30"	25 ROW 30"	28 ROW 20"
	43748	NH3 Applicator 3-Section/6-Port	1	-				
	43436	NH3 Applicator 3-Section/13-Port	-		1			
1	44117B	Splitter Mounting Bracket Weldment =Black=	1		1			
2	91263	Nut/Large Flange 3/8"-16UNC	10		10			
3	92350	Plug, 1/4"-18 NPTF Male w/Square Head	3		20			
4	9503255	Impellicone 6 Port Flow Divider Pressure Gauge & Outlet Ports	3		-			
	9504212	Replacement Needle	-		-			
	9504213	Replacement O-Ring	-		-			
5	9503256	Impellicone 4 Port Splitter Outlet Ports	1		1			
	9504216	Replacement Needle	-		-			
	9504217	Replacement O-Ring	-		-			
6	JBP3045	U-Bolt, 3/8"-16UNC x 5", 6 7/16" C/C	-		2			
7	JBP3351	U-Bolt, 3/8"-16UNC x 7", 6 7/16" C/C	5		5			
8	JCM2328	Equa-Flow Mounting Bracket	3		3			
9	JCP2308	Hose Barb 1/4" NPT Male x 3/8" Hose Barb	18		25			
10	JCP2480	Screwed Plug, 1-11.5 NPT w/Square Head	1		1			
11	JCP2564	Impellicone 13 Port Flow Divider Pressure Gauge & Outlet Ports	-		3			
	9504212	Replacement Needle	-		-			
	9504213	Replacement O-Ring	-		-			
12	JCP2727	Nipple, 1 1/4-11.5 NPT Male x 1 5/8 (Close)	1		1			
13	JCP2741	90° Elbow, 1-11.5 NPT Male x 1-11.5 NPT Female	3		3			
14	JCP2838	Bleeder Valve 1/4-18 NPT w/T-Handle	1		1			
15	JDP4034	Nipple, 1-11.5 NPT Male x 1 9/16"	3		3			
16	JDP4041	90° Elbow, 1 1/4-11.5 NPT Female x 1 1/4-11.5 NPT Male	1		1			
17	JDP4130	Nipple, 1-11.5 NPT Male x 4"	3		3			
18	JDP4598	Pipe Swivel Union 1-11.5 NPT Male x 1-11.5 NPSM Female	3		3			

Impellicone and Mounting Hardware - 4 Section John Blue

Please visit www.unverferth.com/parts/ for the most current parts listing.



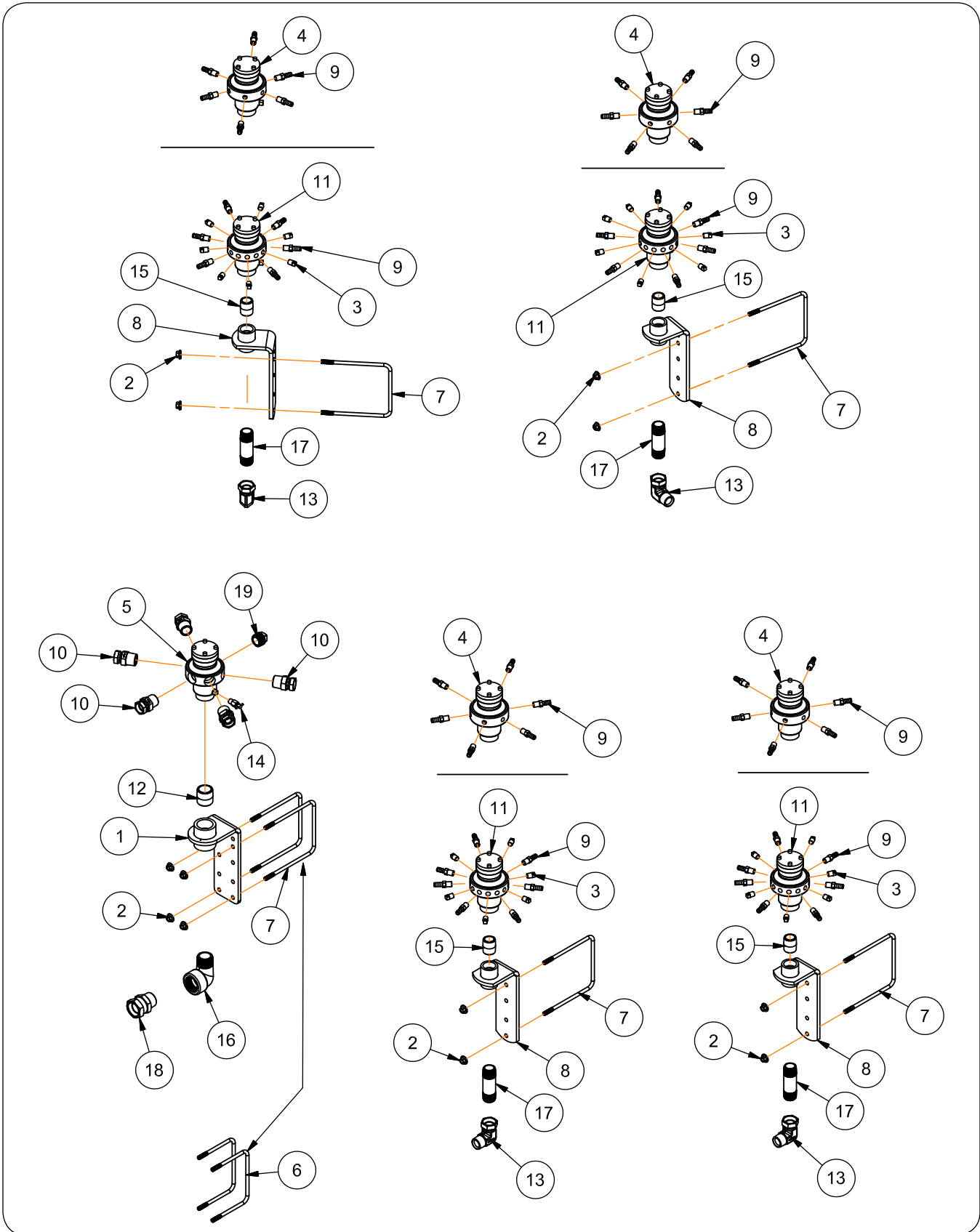
Impellicone and Mounting Hardware - 4 Section John Blue

Please visit www.unverferth.com/parts/ for the most current parts listing.

ITEM	PART NUMBER	DESCRIPTION	QTY					
			18 ROW 30"	19 ROW 30"	23 ROW 30"	24 ROW 30"	25 ROW 30"	28 ROW 20"
	43437	NH3 Applicator 4-Section/6-Port	1					-
	44026	NH3 Applicator 4-Section/13-Port	-					1
1	44117B	Splitter Mounting Bracket Weldment =Black=	1					1
2	91263	Nut/Large Flange 3/8"-16UNC	12					12
3	92350	Plug, 1/4"-18 NPTF Male w/Square Head	5					27
4	9503255	Impellicone 6 Port Flow Divider Pressure Gauge & Outlet Ports	4					-
	9504212	Replacement Needle	-					-
	9504213	Replacement O-Ring	-					-
5	9503256	Impellicone 4 Port Splitter Outlet Ports	1					1
	9504216	Replacement Needle	-					-
	9504217	Replacement O-Ring	-					-
6	JBP3045	U-Bolt, 3/8"-16UNC x 5", 6 7/16" C/C	2					2
7	JBP3351	U-Bolt, 3/8"-16UNC x 7", 6 7/16" C/C	4					4
8	JCM2328	Equa-Flow Mounting Bracket	4					4
9	JCP2308	Hose Barb 1/4" NPT Male x 3/8" Hose Barb	24					25
10	9503611	Pipe Swivel Union 1-11.5 NPT Male x 3/4-14 NPSM Female	4					4
11	JCP2564	Impellicone 13 Port Flow Divider Pressure Gauge & Outlet Ports	-					4
	9504212	Replacement Needle	-					-
	9504213	Replacement O-Ring	-					-
12	JCP2727	Nipple, 1 1/4-11.5 NPT Male x 1 5/8 (Close)	1					1
13	JCP2741	90° Elbow, 1-11.5 NPT Male x 1-11.5 NPT Female	4					4
14	JCP2838	Bleeder Valve 1/4-18 NPT w/T-Handle	1					1
15	JDP4034	Nipple, 1-11.5 NPT Male x 1 9/16"	4					4
16	JDP4041	90° Elbow, 1 1/4-11.5 NPT Female x 1 1/4-11.5 NPT Male	1					1
17	JDP4130	Nipple, 1-11.5 NPT Male x 4"	4					4
18	JDP4397	Pipe Swivel Union 1 1/4-11.5 NPT Male x 1 1/4-11.5 NPSM Female	1					1

Impellicone and Mounting Hardware - 5 Section John Blue

Please visit www.unverferth.com/parts/ for the most current parts listing.



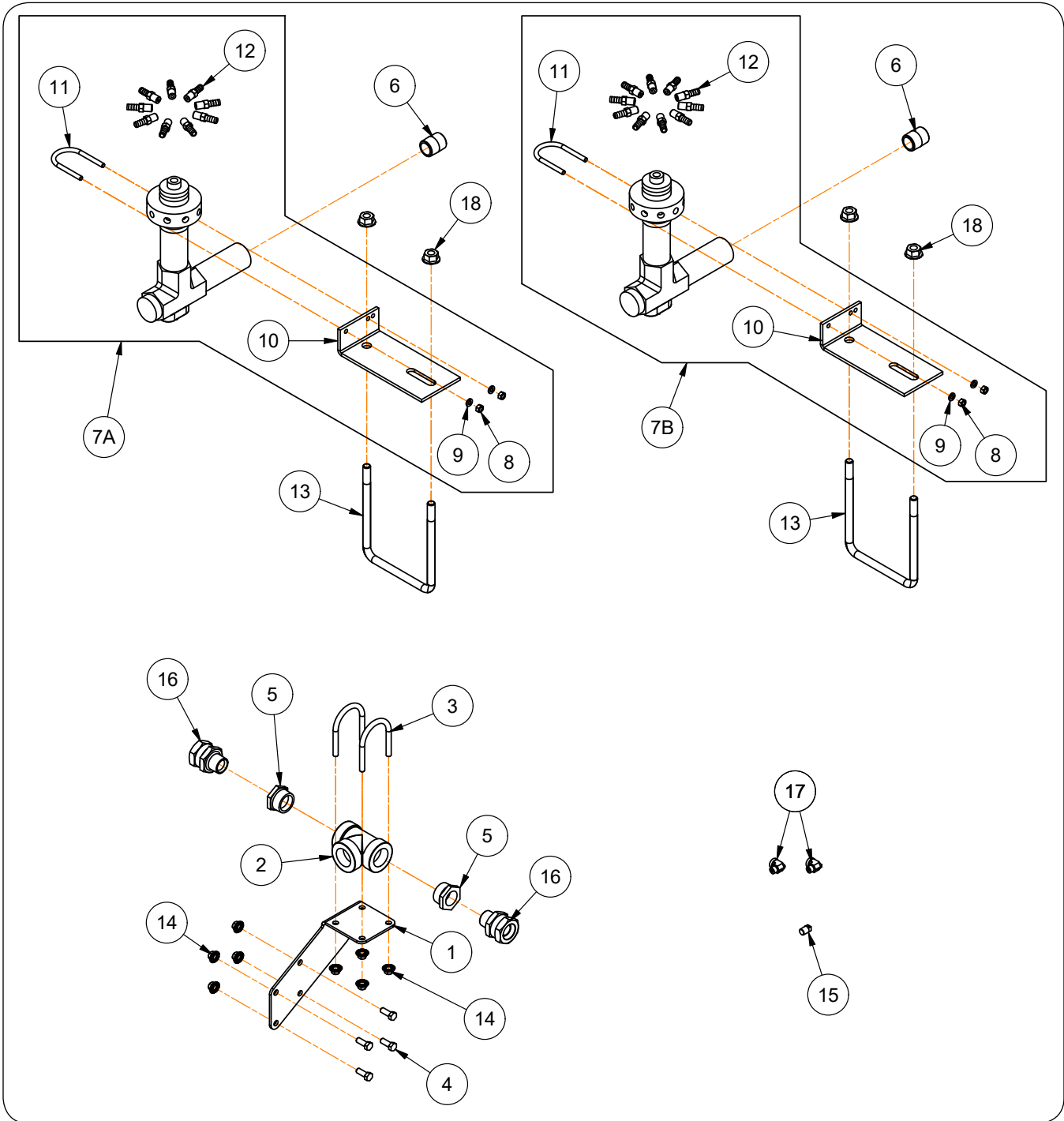
Impellicone and Mounting Hardware - 5 Section John Blue

Please visit www.unverferth.com/parts/ for the most current parts listing.

ITEM	PART NUMBER	DESCRIPTION	QTY	
			25 ROW 30"	36 ROW 20"
	43438	NH3 Applicator 5-Section/6-Port	1	-
	44546	NH3 Applicator 5-Section/13-Port	-	1
1	44117B	Splitter Mounting Bracket Weldment =Black=	1	1
2	91263	Nut/Large Flange 3/8"-16UNC	14	14
3	92350	Plug, 1/4"-18 NPTF Male w/Square Head	5	29
4	9503255	Impellicone 6 Port Flow Divider Pressure Gauge & Outlet Ports	5	-
	9504212	Replacement Needle	-	-
	9504213	Replacement O-Ring	-	-
5	9503257	Impellicone 6 Port Splitter Outlet Ports	1	1
	9504216	Replacement Needle	-	-
	9504217	Replacement O-Ring	-	-
6	JBP3045	U-Bolt, 3/8"-16UNC x 5", 6 7/16" C/C	2	2
7	JBP3351	U-Bolt, 3/8"-16UNC x 7", 6 7/16" C/C	5	5
8	JCM2328	Equa-Flow Mounting Bracket	5	5
9	JCP2308	Hose Barb 1/4" NPT Male x 3/8" Hose Barb	25	36
10	9503611	Pipe Swivel Union 1-11.5 NPT Male x 3/4-14 NPSM Female	5	5
11	JCP2564	Impellicone 13 Port Flow Divider Pressure Gauge & Outlet Ports	-	5
	9504212	Replacement Needle	-	-
	9504213	Replacement O-Ring	-	-
12	JCP2727	Nipple, 1 1/4-11.5 NPT Male x 1 5/8 (Close)	1	1
13	JCP2741	90° Elbow, 1-11.5 NPT Male x 1-11.5 NPT Female	5	5
14	JCP2838	Bleeder Valve 1/4-18 NPT w/T-Handle	1	1
15	JDP4034	Nipple, 1-11.5 NPT Male x 1 9/16"	5	5
16	JDP4041	90° Elbow, 1 1/4-11.5 NPT Female x 1 1/4-11.5 NPT Male	1	1
17	JDP4130	Nipple, 1-11.5 NPT Male x 4"	5	5
18	JDP4397	Pipe Swivel Union 1 1/4-11.5 NPT Male x 1 1/4-11.5 NPSM Female	1	1
19	JCP2480	Screwed Plug, 1-11.5 NPT w/Square Head	1	1

Manifold and Mounting Hardware - 2 Section Continental

Please visit www.unverferth.com/parts/ for the most current parts listing.



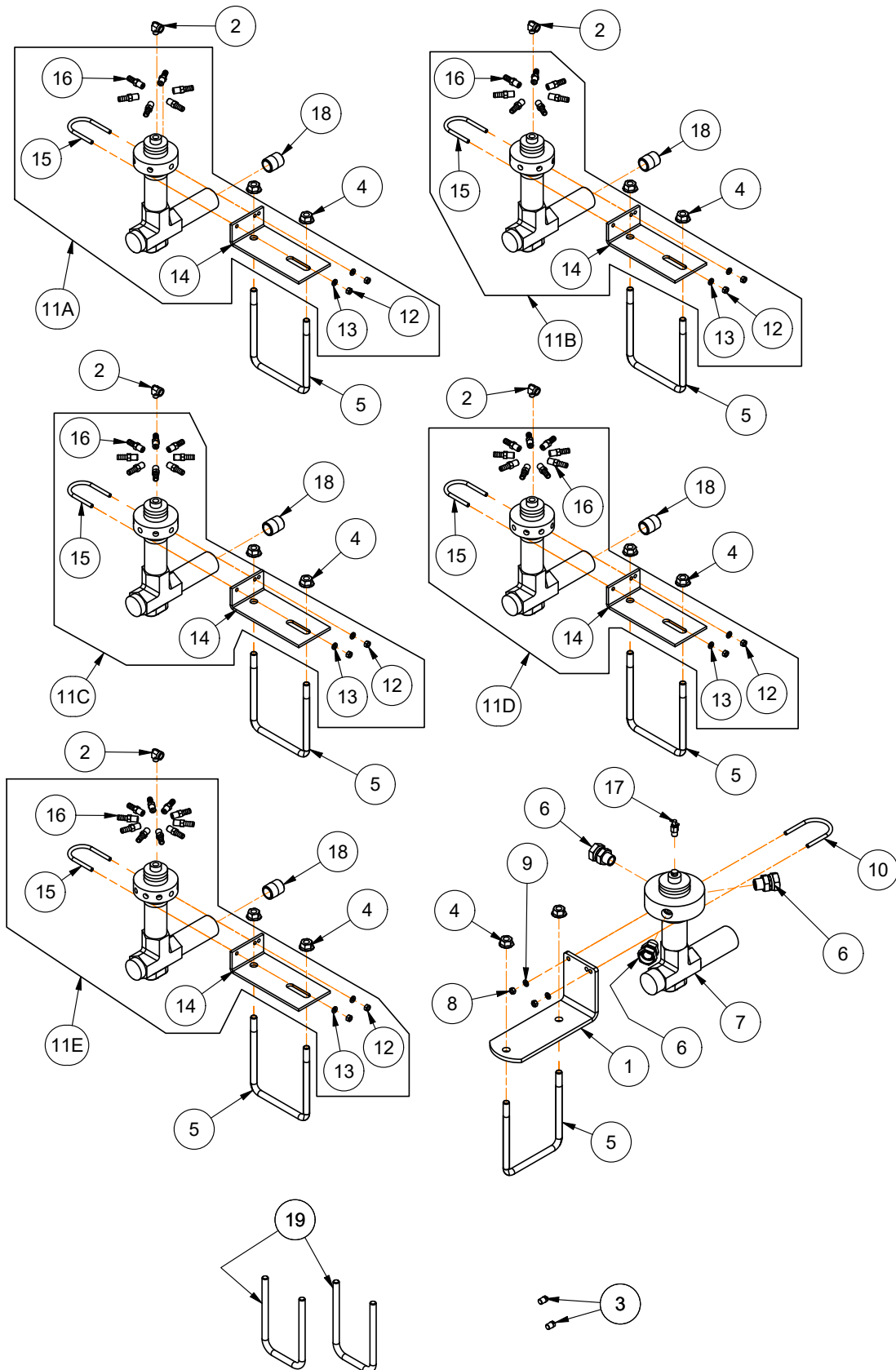
Manifold and Mounting Hardware - 2 Section Continental

Please visit www.unverferth.com/parts/ for the most current parts listing.

ITEM	PART NUMBER	DESCRIPTION	QTY	
			18 ROW 30"	19 ROW 30"
	43749	NH3 Applicator 2-Section/9-Port	1	-
	44023	NH3 Applicator 2-Section/10-Port	-	1
1	44263B	Distribution Tee Mounting Bracket =Black=	1	1
2	JDP4037	Pipe Tee 1 1/4-11.5 NPT Female	1	1
3	TA1-902545-0	U-Bolt, 3/8"-16UNC x 3 7/16", 2 3/4" C/C	2	2
4	9390-055	Capscrew, 3/8"-16UNC x 1" G5	4	4
5	JDP4046	Reducer Bushing, 1 1/4-11.5 NPT Male x 1-11.5 NPT Female	2	2
6	JDP4034	Nipple, 1-11.5 NPT Male x 1 9/16"	2	2
7A	JCP2789	Manifold 9 Port-C (A-360) Assembly (Includes Items 8-12)	2	-
7B	JCP2790	Manifold 10 Port-C (A-360) Assembly (Includes Items 8-12)	-	2
	9504218	A-360 Manifold Repair Kit	-	-
8	9394-004	Hex Nut, 5/16"-18UNC	2	2
9	9404-019	Lock Washer, 5/16"	2	2
10	9503495	Mounting Bracket	1	1
11	9503496	U-Bolt, 5/16"-18UNC x 3 13/32", 2 5/16" C/C	1	1
12	9503497	Hose Barb, 1/4 NPT Male x 3/8 Hose, w/.201 Orifice	9	10
13	JBP3354	U-Bolt, 5/8"-11UNC x 7 3/4", 6 11/16" C/C	2	2
14	91263	Nut/Large Flange 3/8"-16UNC	8	8
15	92350	Plug, 1/4"-18 NPTF Male w/Square Head	1	1
16	JDP4598	Pipe Swivel Union 1-11.5 NPT Male x 1-11.5 NPSM Female	2	2
17	91432	90° Elbow, 1/4-18 NPTF	2	2
18	9502324	Flange Nut, 5/8"-11UNC	4	4

Manifold and Mounting Hardware - 3 Section Continental

Please visit www.unverferth.com/parts/ for the most current parts listing.



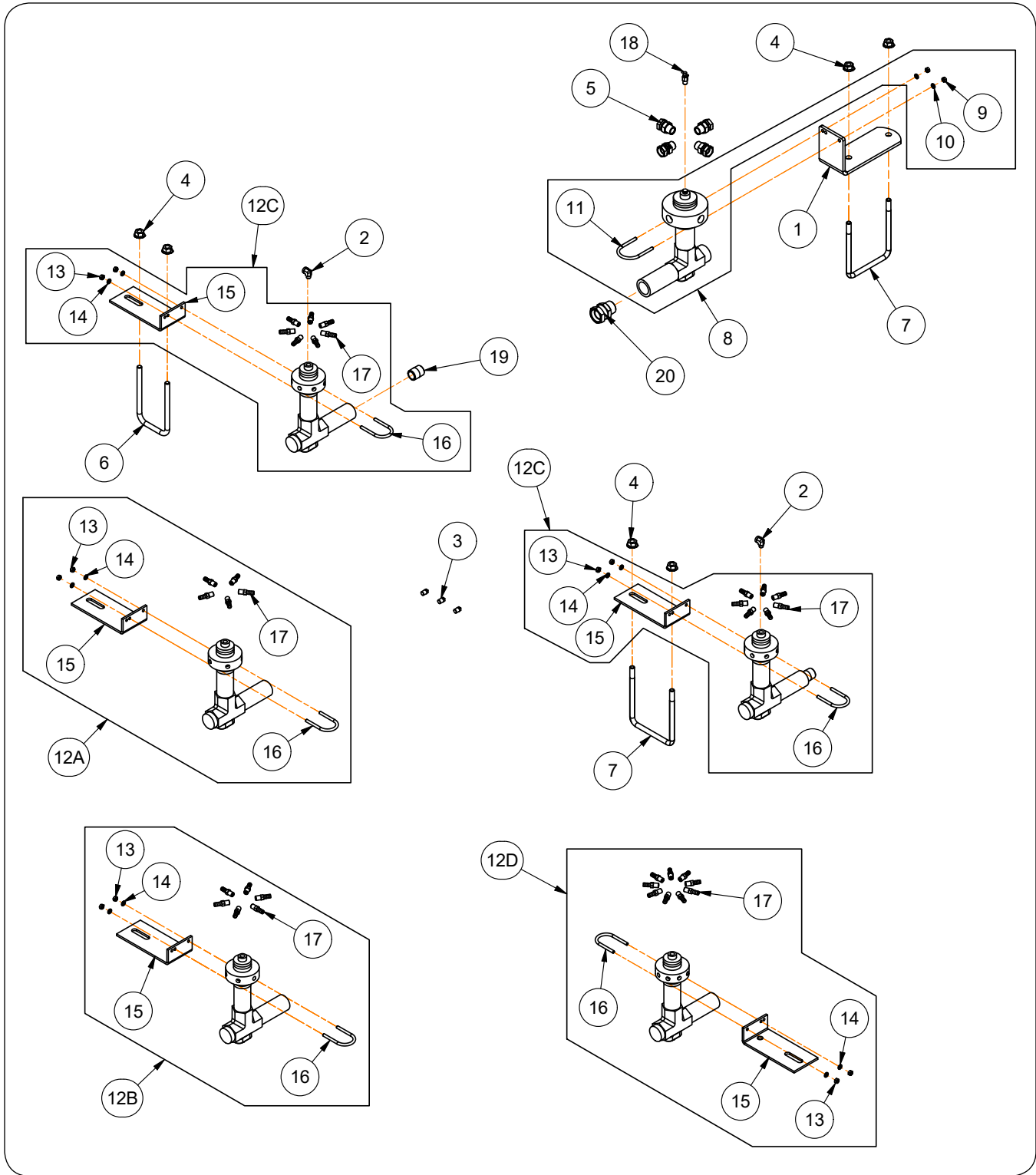
Manifold and Mounting Hardware - 3 Section Continental

Please visit www.unverferth.com/parts/ for the most current parts listing.

ITEM	PART NUMBER	DESCRIPTION	QTY				
			18 ROW 30"	19 ROW 30"	23 ROW 30" 24 ROW 30"	25 ROW 30"	28 ROW 20"
	43751	NH3 Applicator 3-Section/6-Port	1	-	-	-	-
	44024	NH3 Applicator 3-Section/7-Port	-	1	-	-	-
	43440	NH3 Applicator 3-Section/8-Port	-	-	1	-	-
	44025	NH3 Applicator 3-Section/9-Port	-	-	-	1	-
	44543	NH3 Applicator 3-Section/10-Port	-	-	-	-	1
1	44508B	Splitter Mounting Bracket	1	1	1	1	1
2	91432	90° Elbow, 1/4-18 NPTF	3	3	3	3	3
3	92350	Plug, 1/4"-18 NPTF Male w/Square Head	1	2	1	2	2
4	9502324	Flange Nut, 5/8"-11UNC	8	8	8	8	8
5	JBP3354	U-Bolt, 5/8"-11UNC x 7 3/4", 6 11/16" C/C	4	4	4	4	4
6	JCP2740	Pipe Swivel Union, 3/4-14 NPT Male x 1-11.5 NPT Female	3	3	3	3	3
7	JCP2780	Manifold 3 Port Splitter Outlet Ports	1	1	1	1	1
	9504219	A-360 Splitter Repair Kit	-	-	-	-	-
8	9394-004	Hex Nut, 5/16"-18UNC	2	2	2	2	2
9	9404-019	Lock Washer, 5/16"	2	2	2	2	2
10	9503499	U-Bolt, 5/16"-18UNC x 3 21/32", 2 13/16" C/C	1	1	1	1	1
11A	JCP2786	Manifold 6 Port-C (A-360) Assembly (Includes Items 12-16)	3	-	-	-	-
11B	JCP2787	Manifold 7 Port-C (A-360) Assembly (Includes Items 12-16)	-	3	-	-	-
11C	JCP2788	Manifold 8 Port-C (A-360) Assembly (Includes Items 12-16)	-	-	3	-	-
11D	JCP2789	Manifold 9 Port-C (A-360) Assembly (Includes Items 12-16)	-	-	-	3	-
11E	JCP2790	Manifold 10 Port-C (A-360) Assembly (Includes Items 12-16)	-	-	-	-	3
	9504218	A-360 Manifold Repair Kit	-	-	-	-	-
12	9394-004	Hex Nut, 5/16"-18UNC	2	2	2	2	2
13	9404-019	Lock Washer, 5/16"	2	2	2	2	2
14	9503495	Mounting Bracket	1	1	1	1	1
15	9503496	U-Bolt, 5/16"-18UNC x 3 13/32", 2 5/16" C/C	1	1	1	1	1
16	9503497	Hose Barb, 1/4 NPT Male x 3/8 Hose, w/.201 Orifice	6	7	8	9	10
17	JCP2838	Bleeder Valve 1/4-18 NPT w/T-Handle	1	1	1	1	1
18	JDP4034	Nipple, 1-11.5 NPT Male x 1 9/16"	3	3	3	3	3
19	JBP3331	U-Bolt, 5/8"-11UNC x 7 1/2", 4 11/16" C/C	-	2	2	-	-

Manifold and Mounting Hardware - 4 Section Continental

Please visit www.unverferth.com/parts/ for the most current parts listing.



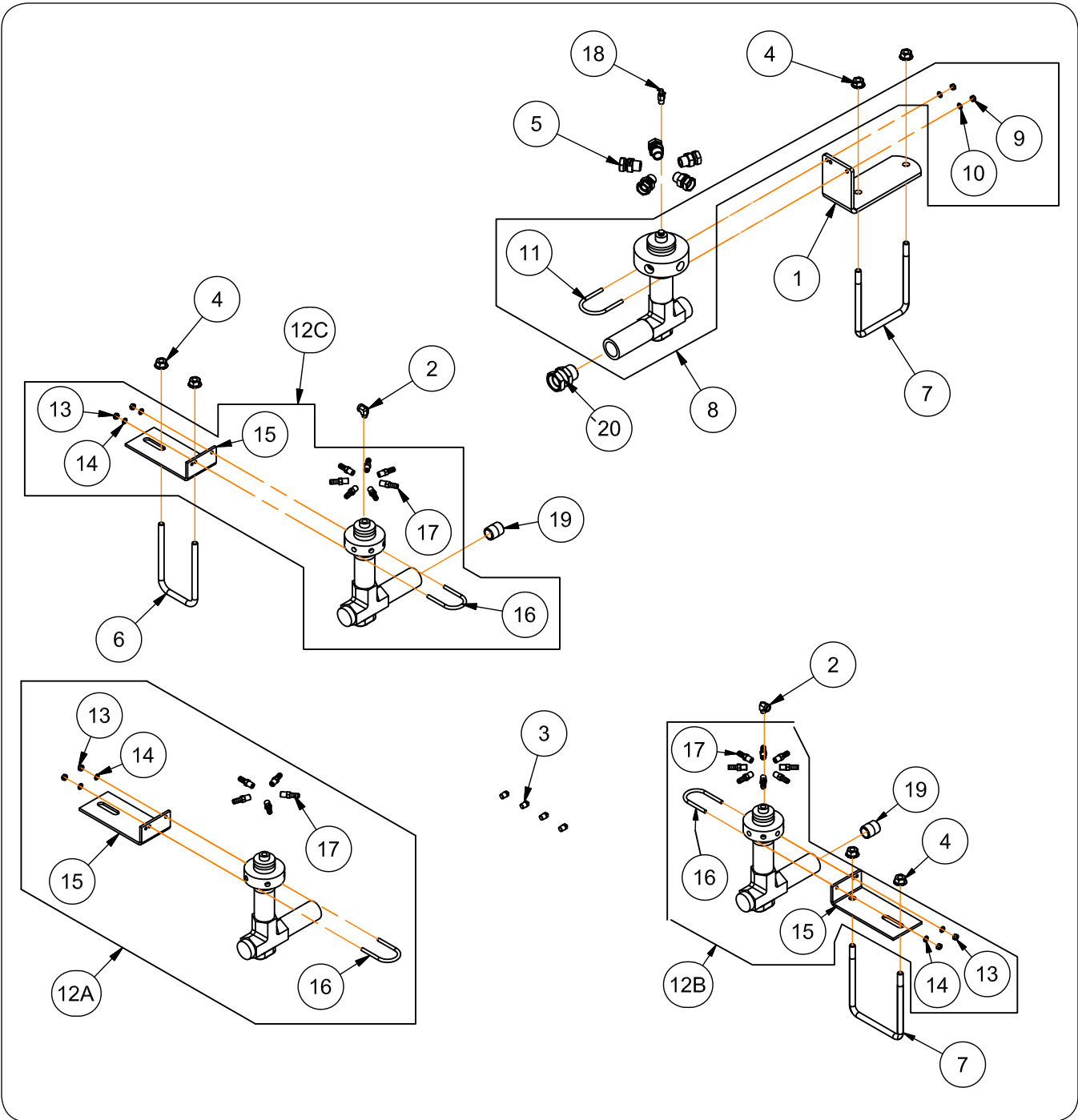
Manifold and Mounting Hardware - 4 Section Continental

Please visit www.unverferth.com/parts/ for the most current parts listing.

ITEM	PART NUMBER	DESCRIPTION	QTY				
			19 ROW 30"	23 ROW 30"	24 ROW 30"	25 ROW 30"	28 ROW 20"
	44028	NH3 Applicator 4-Section/5-Port	1	-	-	-	
	43441	NH3 Applicator 4-Section/6-Port	-	1	-	-	
	44027	NH3 Applicator 4-Section/7-Port	-	-	1	-	
	44544	NH3 Applicator 4-Section/9-Port	-	-	-	1	
1	44508B	Splitter Mounting Bracket	1	1	1	1	
2	91432	90° Elbow, 1/4-18 NPTF	4	4	4	4	
3	92350	Plug, 1/4"-18 NPTF Male w/Square Head	3	3	3	3	
4	9502324	Flange Nut, 5/8"-11UNC	10	10	10	10	
5	9503610	Pipe Swivel Union, 3/4-14 NPT Male x 3/4-14 NPSM Female	4	4	4	4	
6	JBP3331	U-Bolt, 5/8"-11UNC x 7 1/2", 4 11/16" C/C	2	2	2	2	
7	JBP3354	U-Bolt, 5/8"-11UNC x 7 3/4", 6 11/16" C/C	3	3	3	3	
8	JCP2781	Manifold 4 Port Splitter Outlet Ports	1	1	1	1	
	9504219	A-360 Splitter Repair Kit	-	-	-	-	
9	9394-004	Hex Nut, 5/16"-18UNC	2	2	2	2	
10	9404-019	Lock Washer, 5/16"	2	2	2	2	
11	9503499	U-Bolt, 5/16"-18UNC x 3 21/32", 2 13/16" C/C	1	1	1	1	
12A	JCP2785	Manifold 5 Port-C (A-360) Assembly (Includes Items 13-17)	4	-	-	-	
12B	JCP2786	Manifold 6 Port-C (A-360) Assembly (Includes Items 13-17)	-	4	-	-	
12C	JCP2787	Manifold 7 Port-C (A-360) Assembly (Includes Items 13-17)	-	-	4	-	
12D	JCP2789	Manifold 9 Port-C (A-360) Assembly (Includes Items 13-17)	-	-	-	4	
	9504218	A-360 Manifold Repair Kit	-	-	-	-	
13	9394-004	Hex Nut, 5/16"-18UNC	2	2	2	2	
14	9404-019	Lock Washer, 5/16"	2	2	2	2	
15	9503495	Mounting Bracket	1	1	1	1	
16	9503496	U-Bolt, 5/16"-18UNC x 3 13/32", 2 5/16" C/C	1	1	1	1	
17	9503497	Hose Barb, 1/4 NPT Male x 3/8 Hose, w/.201 Orifice	5	6	7	9	
18	JCP2838	Bleeder Valve 1/4-18 NPT w/T-Handle	1	1	1	1	
19	JDP4034	Nipple, 1-11.5 NPT Male x 1 9/16"	4	4	4	4	
20	JDP4397	Pipe Swivel Union 1 1/4-11.5 NPT Male x 1 1/4-11.5 NPSM Female	1	1	1	1	

Manifold and Mounting Hardware - 5 Section Continental

Please visit www.unverferth.com/parts/ for the most current parts listing.



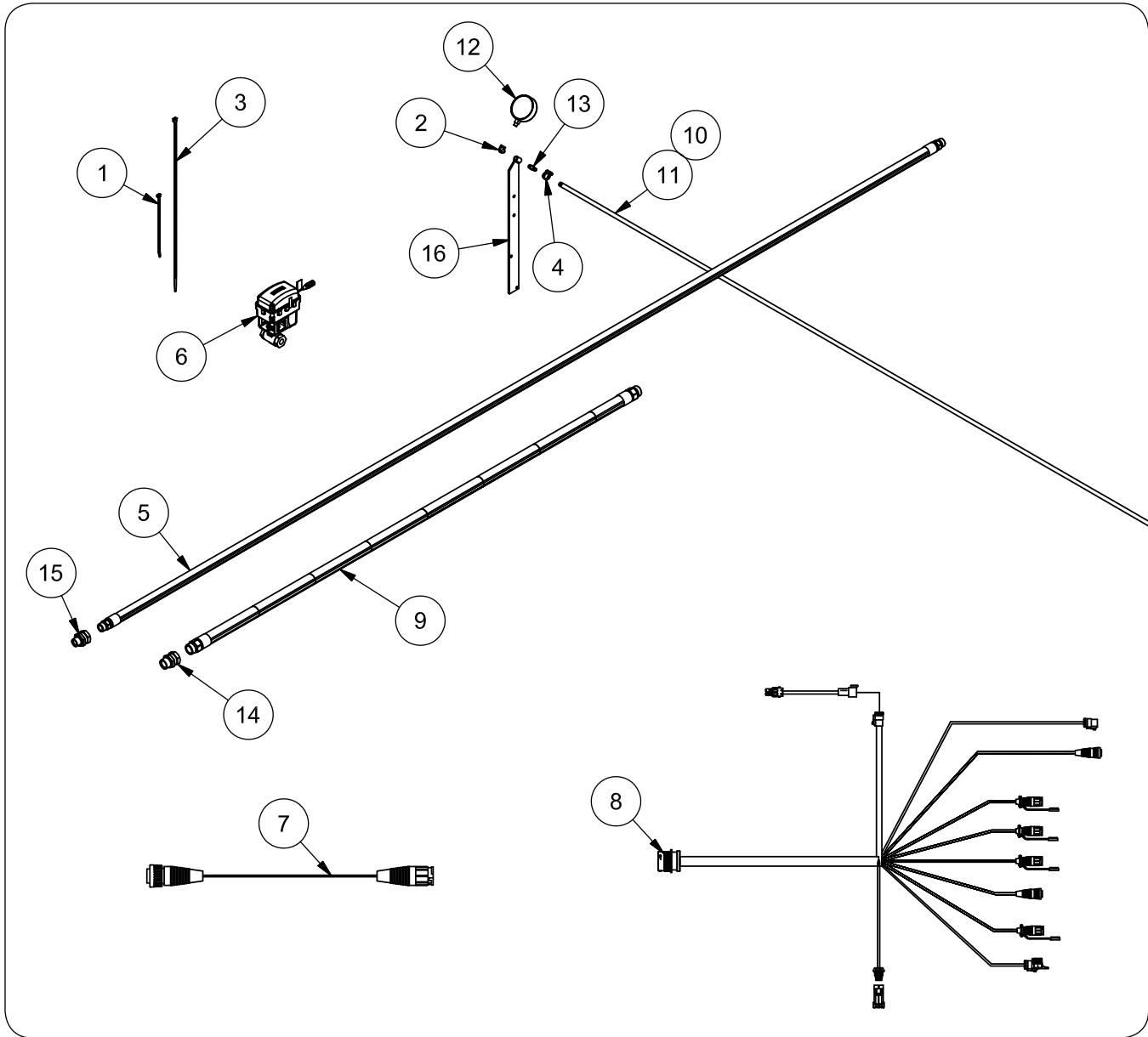
Manifold and Mounting Hardware - 5 Section Continental

Please visit www.unverferth.com/parts/ for the most current parts listing.

ITEM	PART NUMBER	DESCRIPTION	QTY	
			25 ROW 30"	36 ROW 20"
	43442	NH3 Applicator 5-Section/5-Port	1	-
	44545	NH3 Applicator 5-Section/8-Port	-	1
1	44508B	Splitter Mounting Bracket	1	1
2	91432	90° Elbow, 1/4-18 NPTF	5	5
3	92350	Plug, 1/4"-18 NPTF Male w/Square Head	3	4
4	9502324	Flange Nut, 5/8"-11UNC	12	12
5	9503610	Pipe Swivel Union, 3/4-14 NPT Male x 3/4-14 NPSM Female	5	5
6	JBP3331	U-Bolt, 5/8"-11UNC x 7 1/2", 4 11/16" C/C	2	2
7	JBP3354	U-Bolt, 5/8"-11UNC x 7 3/4", 6 11/16" C/C	4	4
8	JCP2782	Manifold 5 Port Splitter Outlet Ports	1	1
	9504219	A-360 Splitter Repair Kit	-	-
9	9394-004	Hex Nut, 5/16"-18UNC	2	2
10	9404-019	Lock Washer, 5/16"	2	2
11	9503499	U-Bolt, 5/16"-18UNC x 3 21/32", 2 13/16" C/C	1	1
12A	JCP2785	Manifold 5 Port-C (A-360) Assembly (Includes Items 13-17)	5	-
12B	JCP2788	Manifold 8 Port-C (A-360) Assembly (Includes Items 13-17)	-	5
	9504218	A-360 Manifold Repair Kit	-	-
13	9394-004	Hex Nut, 5/16"-18UNC	2	2
14	9404-019	Lock Washer, 5/16"	2	2
15	9503495	Mounting Bracket	1	1
16	9503496	U-Bolt, 5/16"-18UNC x 3 13/32", 2 5/16" C/C	1	1
17	9503497	Hose Barb, 1/4 NPT Male x 3/8 Hose, w/.201 Orifice	5	8
18	JCP2838	Bleeder Valve 1/4-18 NPT w/T-Handle	1	1
19	JDP4034	Nipple, 1-11.5 NPT Male x 1 9/16"	5	5
20	JDP4397	Pipe Swivel Union 1 1/4-11.5 NPT Male x 1 1/4-11.5 NPSM Female	1	1

Distribution 2-Section Hoses and Electrical Components

Please visit www.unverferth.com/parts/ for the most current parts listing.



NOTE: 3/8" EVA hose comes partially pre-cut to length. Length of hose is determined by width of toolbar. Number of pre-cut sections are determined by number of rows.

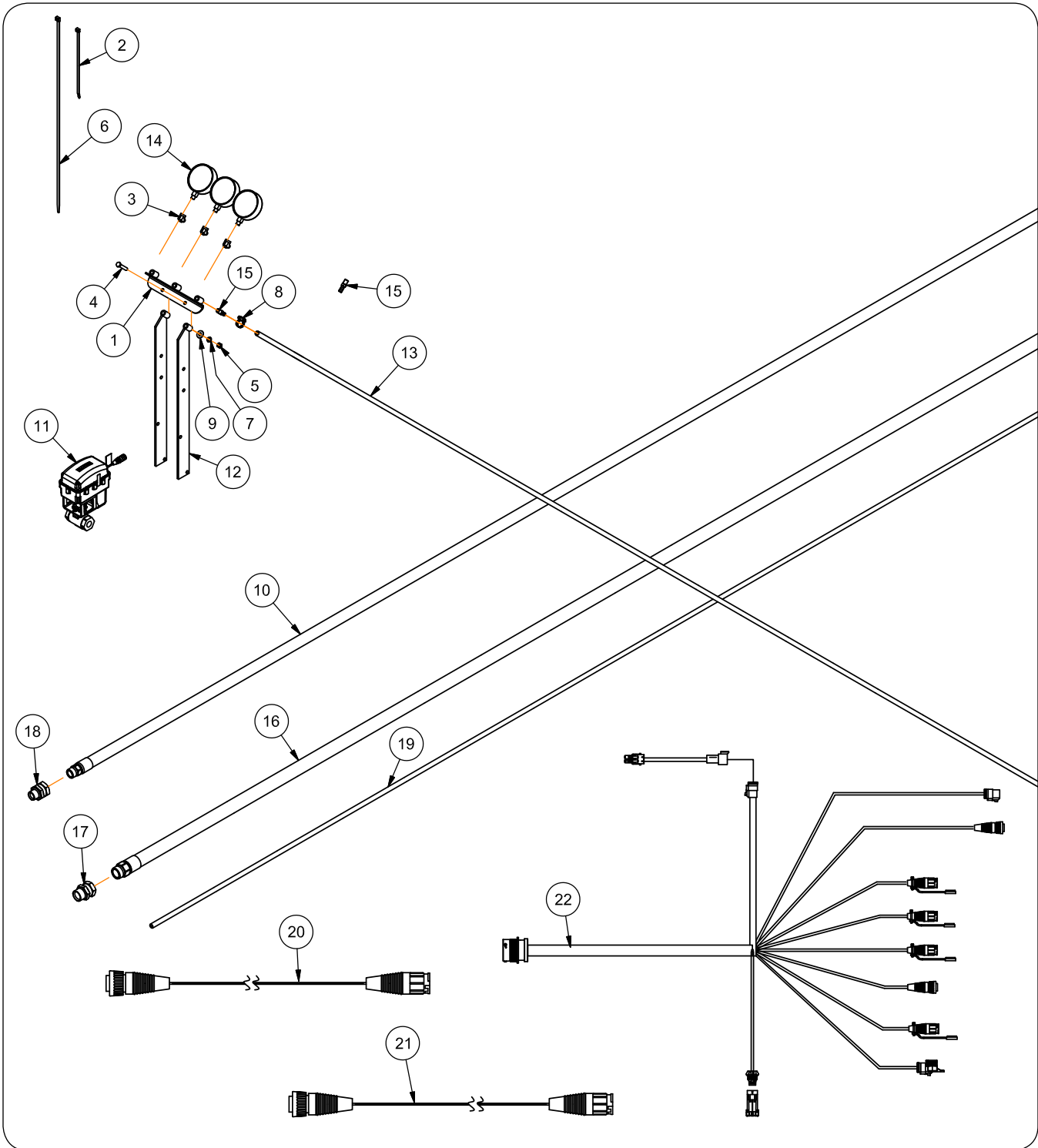
Distribution 2-Section Hoses and Electrical Components

Please visit www.unverferth.com/parts/ for the most current parts listing.

ITEM	PART NUMBER	DESCRIPTION	QTY PER DISTRIBUTION SIZE						
			2-SECTION JOHN BLUE & CONTINENTAL						
			18 ROW 30"	19 ROW 30"	23 ROW 30"	24 ROW 30"	25 ROW 30"	28 ROW 20"	36 ROW 20"
	46048	Manifold Hose Routing Package	1	1	-	-	-	-	-
	46051	Manifold Hose Routing Package	-	-	1	1	1	-	-
	46056	Manifold Hose Routing Package	-	-	-	-	-	1	-
	46057	Manifold Hose Routing Package	-	-	-	-	-	-	1
1	9003735	Cable Tie 11"	18	19	23	24	25	28	36
2	91432	90° Street Elbow 1/4"-18 NPTF Male x 1/4"-18 NPTF Female	2	2	2	2	2	2	2
3	94038	Cable Tie 32"	8	8	10	10	10	8	10
4	94050	Hose Clamp 11-25MM	40	42	50	52	54	60	76
5	9503311	NH3 Hose, 1" x 180", 350PSI	2	2	2	2	2	2	2
6	9503343	Electric 1" NPT, ON/OFF Valve	2	2	2	2	2	2	2
7	9503393	Wire Harness 24 Ft. Extension	2	2	2	2	2	2	2
8	9503394	Wire Harness RCM Accu-Flow HP	1	1	1	1	1	1	1
9	9503599	NH3 Hose, 1 1/4" x 84", 350PSI	1	1	1	1	1	1	1
10	JCCP2563	Hose, EVA, 3/8" x 20'	18	19	-	-	-	28	-
11	JCCP2565	Hose, EVA, 3/8" x 25'	2	2	25	26	27	2	38
12	JCP2100	Gauge, 0-100 PSI, 4" Steel Case	2	2	2	2	2	2	2
13	JCP2308	Hose Barb 1/4 NPT Male x 3/8 Hose	4	4	4	4	4	4	4
14	JDP4397	Pipe Swivel Union 1 1/4-11.5 NPT	1	1	1	1	1	1	1
15	JDP4598	Pipe Swivel Union 1-11.5 NPT	2	2	2	2	2	2	2
16	JAM4528	Hose Holder Bracket	2	2	2	2	2	2	2

Distribution 3-Section Hoses and Electrical Components

Please visit www.unverferth.com/parts/ for the most current parts listing.



NOTE: 3/8" EVA hose comes partially pre-cut to length. Length of hose is determined by width of toolbar. Number of pre-cut sections are determined by number of rows.

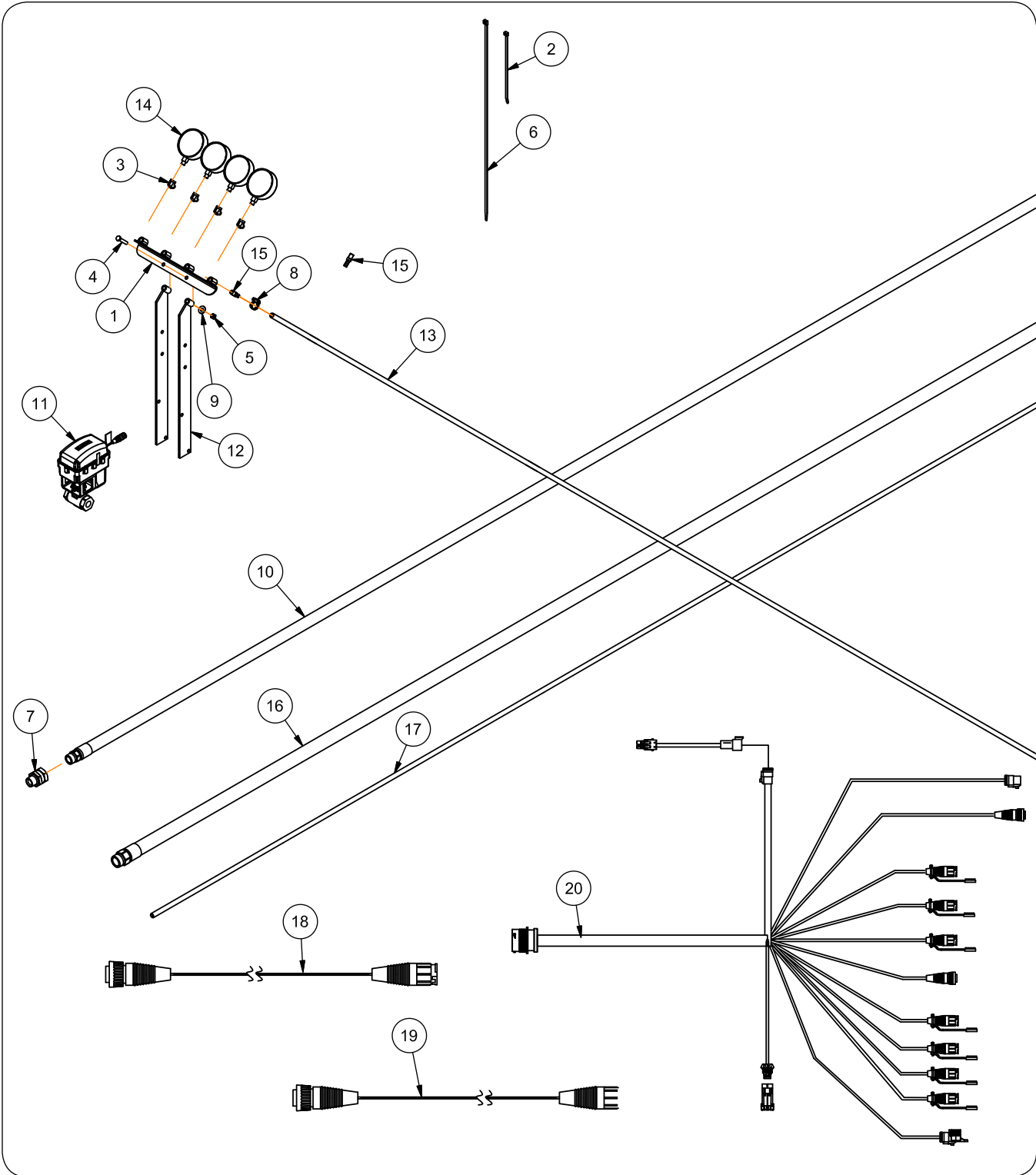
Distribution 3-Section Hoses and Electrical Components

Please visit www.unverferth.com/parts/ for the most current parts listing.

ITEM	PART NUMBER	DESCRIPTION	QTY PER DISTRIBUTION SIZE						
			3-SECTION JOHN BLUE & CONTINENTAL						
			18 ROW 30"	19 ROW 30"	23 ROW 30"	24 ROW 30"	25 ROW 30"	28 ROW 20"	36 ROW 20"
	46062	Manifold Hose Routing Package	1	1	-	-	-	-	-
	46064	Manifold Hose Routing Package	-	-	1	-	-	-	-
	46066	Manifold Hose Routing Package	-	-	-	1	1	-	-
	46067	Manifold Hose Routing Package	-	-	-	-	-	1	-
	46068	Manifold Hose Routing Package	-	-	-	-	-	-	1
1	44118B	Mounting Bracket - 3 Gauge Weldment	1	1	1	1	1	1	1
2	9003735	Cable Tie 11"	18	19	23	24	25	28	36
3	91432	90° Street Elbow 1/4"-18 NPTF Male x 1/4"-18 NPTF Female	3	3	3	3	3	3	3
4	9390-059	Capscrew, 3/8"-16UNC x 2" G5	2	2	2	2	2	2	2
5	9394-006	Hex Nut, 3/8"-16UNC	2	2	2	2	2	2	2
6	94038	Cable Tie 32"	12	12	12	12	12	12	12
7	9404-021	Lock Washer, 3/8"	2	2	2	2	2	2	2
8	94050	Hose Clamp 11-25MM	42	44	52	54	56	62	78
9	9405-076	Flat Washer, 3/8" USS	2	2	2	2	2	2	2
10	9503313	NH3 Hose, 1" x 216", 350PSI	3	3	-	-	-	3	-
	9503314	NH3 Hose, 1" x 300", 350PSI	-	-	3	3	3	-	3
11	9503343	Electric 1" NPT, ON/OFF Valve	3	3	3	3	3	3	3
12	JAM4528	Hose Holder Bracket	2	2	2	2	2	2	2
13	JCCP2565	Hose, EVA, 3/8" x 25'	-	-	1	1	1	-	1
	JCCP2566	Hose, EVA, 3/8" x 27'	3	3	-	-	-	3	-
	JCCP2572	Hose, EVA, 3/8" x 42'	-	-	2	2	2	-	2
14	JCP2100	Gauge, 0-100 PSI, 4" Steel Case	3	3	3	3	3	3	3
15	JCP2308	Hose Barb 1/4 NPT Male x 3/8 Hose	6	6	6	6	6	6	6
16	9504112	NH3 Hose, 1 1/4" x 156", 350PSI	1	1	1	1	1	1	1
17	JDP4397	Pipe Swivel Union 1 1/4-11.5 NPT	1	1	1	1	1	1	1
18	JDP4598	Pipe Swivel Union 1-11.5 NPT	3	3	3	3	3	3	3
19	JCCP2561	Hose, EVA, 3/8" x 15'	-	-	23	24	-	-	-
	JCCP2562	Hose, EVA, 3/8" x 18'	18	19	-	-	-	28	-
	JCCP2563	Hose, EVA, 3/8" x 20'	-	-	-	-	25	-	36
20	9503392	Wire Harness 12 Ft. Extension	3	3	2	3	3	3	3
21	9503393	Wire Harness 24 Ft. Extension	2	2	4	3	2	2	2
22	9503394	Wire Harness RCM Accu-Flow HP	1	1	1	1	1	1	1

Distribution 4-Section Hoses and Electrical Components

Please visit www.unverferth.com/parts/ for the most current parts listing.



NOTE: 3/8" EVA hose comes partially pre-cut to length. Length of hose is determined by width of toolbar. Number of pre-cut sections are determined by number of rows.

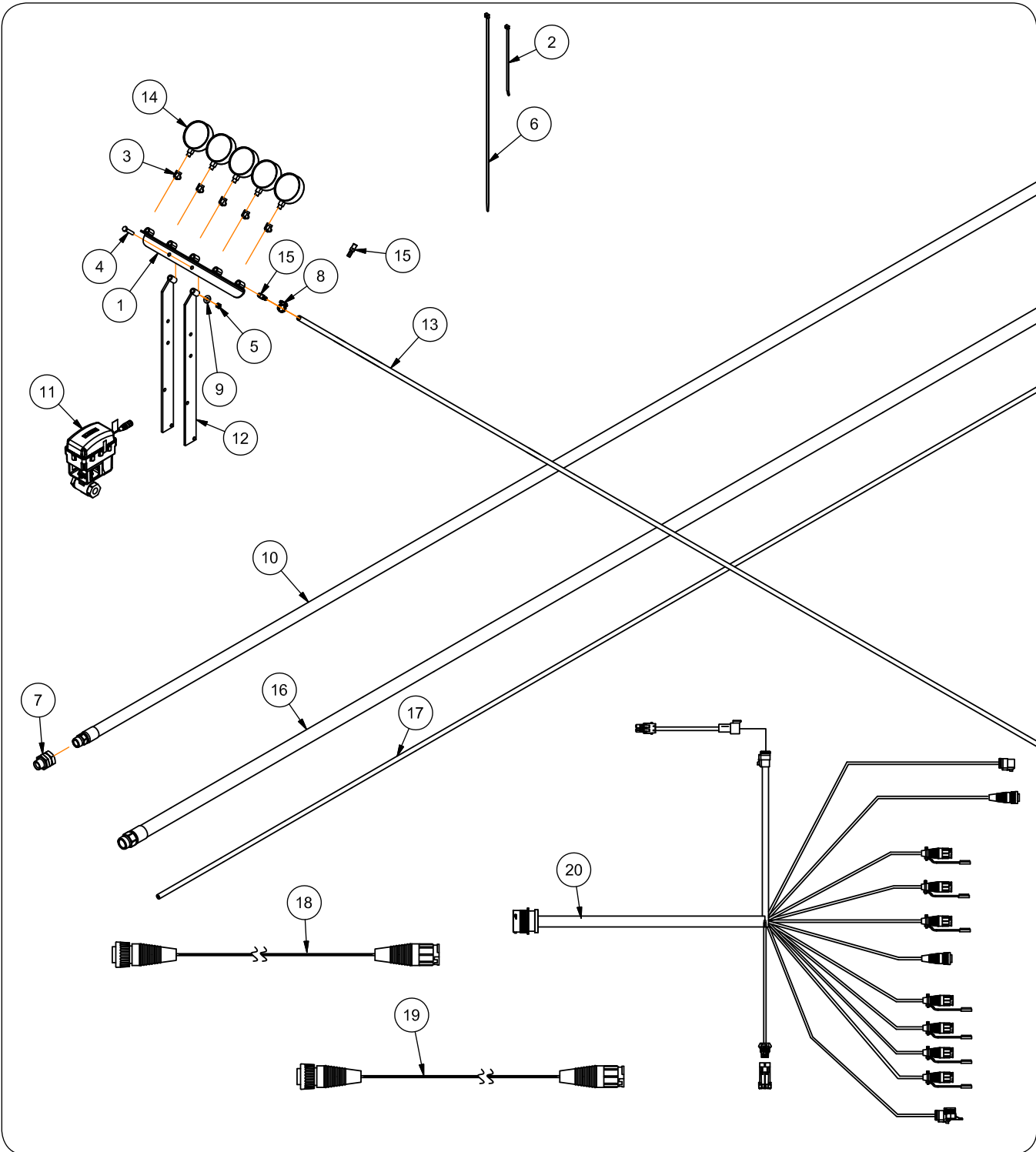
Distribution 4-Section Hoses and Electrical Components

Please visit www.unverferth.com/parts/ for the most current parts listing.

ITEM	PART NUMBER	DESCRIPTION	QTY PER DISTRIBUTION SIZE						
			4-SECTION JOHN BLUE & CONTINENTAL						
			18 ROW 30"	19 ROW 30"	23 ROW 30"	24 ROW 30"	25 ROW 30"	28 ROW 20"	36 ROW 20"
	46070	Manifold Hose Routing Package	1	-	-	-	-	-	-
	46070	Manifold Hose Routing Package	-	1	-	-	-	-	-
	46070	Manifold Hose Routing Package	-	-	1	-	-	-	-
	46072	Manifold Hose Routing Package	-	-	-	1	-	-	-
	46072	Manifold Hose Routing Package	-	-	-	-	1	-	-
	46073	Manifold Hose Routing Package	-	-	-	-	-	1	-
	46074	Manifold Hose Routing Package	-	-	-	-	-	-	1
1	44119B	Mounting Bracket - 4 Gauge Weldment	1	1	1	1	1	1	1
2	9003735	Cable Tie 11"	18	19	23	24	25	28	36
3	91432	90° Street Elbow 1/4"-18 NPTF Male x 1/4"-18 NPTF Female	4	4	4	4	4	4	4
4	9390-059	Capscrew, 3/8"-16UNC x 2" G5	2	2	2	2	2	2	2
5	9928	Lock Nut, 3/8"-16UNC	2	2	2	2	2	2	2
6	94038	Cable Tie 32"	16	16	16	16	16	16	16
7	9503611	Pipe Swivel Union 1-11.5 NPT	4	4	4	4	4	4	4
8	94050	Hose Clamp 11-25MM	44	46	54	56	58	64	80
9	9405-076	Flat Washer, 3/8" USS	2	2	2	2	2	2	2
10	9503317	NH3 Hose, 3/4" x 300", 350PSI	4	4	4	-	-	4	-
	9503318	NH3 Hose, 3/4" x 372", 350PSI	-	-	-	4	4	-	4
11	9503343	Electric 1" NPT, ON/OFF Valve	4	4	4	4	4	4	4
12	JAM4528	Hose Holder Bracket	2	2	2	2	2	2	2
13	JCCP2565	Hose, EVA, 3/8" x 25'	2	2	2	2	2	2	2
	JCCP2572	Hose, EVA, 3/8" x 42'	2	2	2	2	2	2	2
14	JCP2100	Gauge, 0-100 PSI, 4" Steel Case	4	4	4	4	4	4	4
15	JCP2308	Hose Barb 1/4 NPT Male x 3/8 Hose	8	8	8	8	8	8	8
16	9504112	NH3 Hose, 1 1/4" x 156", 350PSI	1	1	1	1	1	1	1
17	JCCP2562	Hose, EVA, 3/8" x 18'	18	19	23	24	25	28	36
18	9503392	Wire Harness 12 Ft. Extension	2	2	2	-	-	2	-
19	9503393	Wire Harness 24 Ft. Extension	4	4	4	6	6	4	6
20	9503389	Wire Harness, RCM Accuflow HP	1	1	1	1	1	1	1

Distribution 5-Section Hoses and Electrical Components

Please visit www.unverferth.com/parts/ for the most current parts listing.



NOTE: 3/8" EVA hose comes partially pre-cut to length. Length of hose is determined by width of toolbar. Number of pre-cut sections are determined by number of rows.

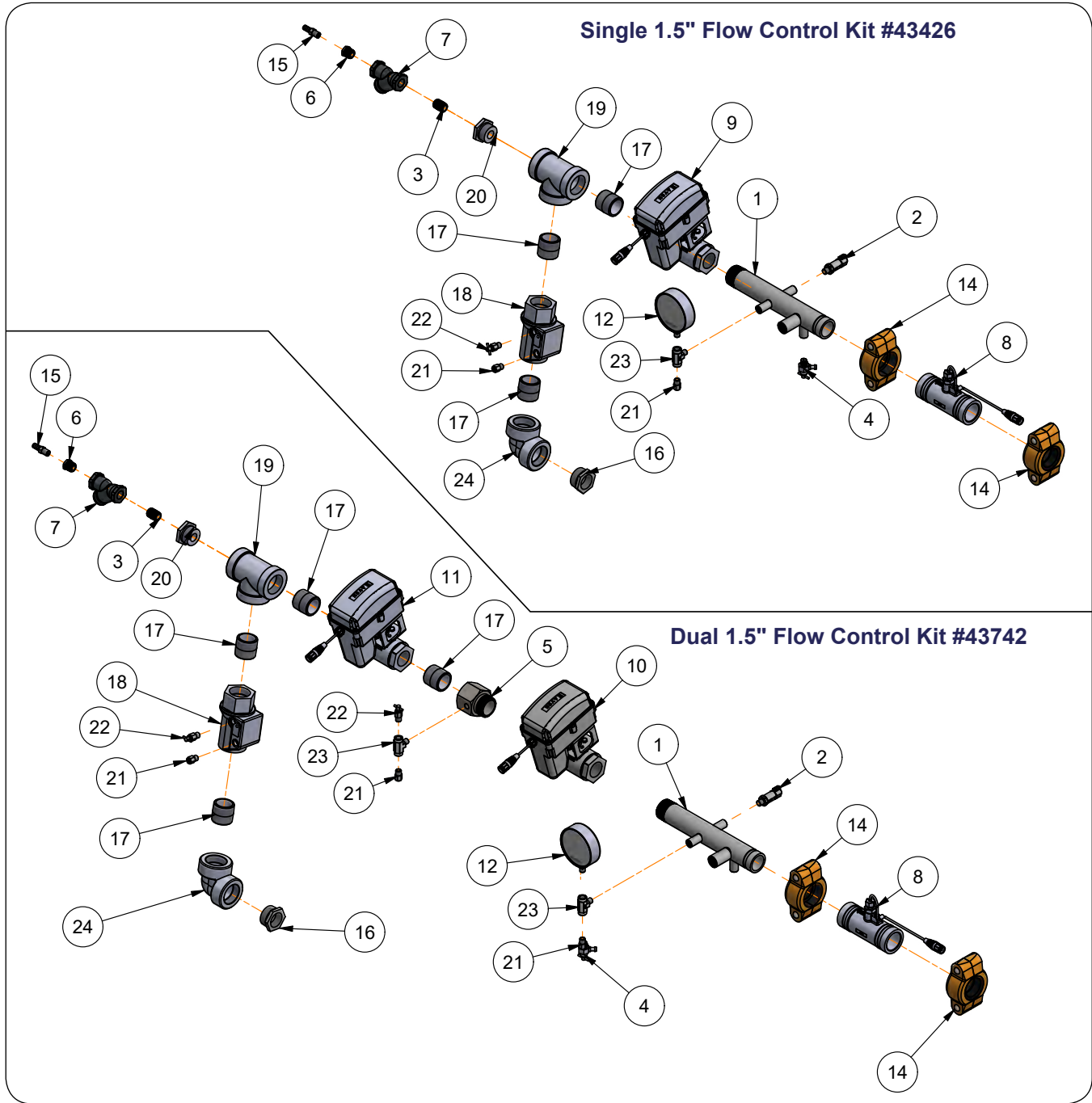
Distribution 5-Section Hoses and Electrical Components

Please visit www.unverferth.com/parts/ for the most current parts listing.

ITEM	PART NUMBER	DESCRIPTION	QTY PER DISTRIBUTION SIZE	
			5-SECTION JOHN BLUE & CONTINENTAL	
			25 ROW 30"	36 ROW 20"
	46075	Manifold Hose Routing Package	1	-
	46076	Manifold Hose Routing Package	-	1
1	44120B	Mounting Bracket - 4 Gauge Weldment	1	1
2	9003735	Cable Tie 11"	25	36
3	91432	90° Street Elbow 1/4"-18 NPTF Male x 1/4"-18 NPTF Female	5	5
4	9390-059	Capscrew, 3/8"-16UNC x 2" G5	2	2
5	9928	Lock Nut, 3/8"-16UNC	2	2
6	94038	Cable Tie 32"	20	20
7	9503611	Pipe Swivel Union 1-11.5 NPT	5	5
8	94050	Hose Clamp 11-25MM	60	82
9	9405-076	Flat Washer, 3/8" USS	2	2
10	9503318	NH3 Hose, 3/4" x 372", 350PSI	5	5
11	9503343	Electric 1" NPT, ON/OFF Valve	5	5
12	JAM4528	Hose Holder Bracket	2	2
13	JCCP2565	Hose, EVA, 3/8" x 25'	3	3
	JCCP2572	Hose, EVA, 3/8" x 42'	2	2
14	JCP2100	Gauge, 0-100 PSI, 4" Steel Case	5	5
15	JCP2308	Hose Barb 1/4 NPT Male x 3/8 Hose	10	10
16	9504112	NH3 Hose, 1 1/4" x 156", 350PSI	1	1
17	JCCP2562	Hose, EVA, 3/8" x 18'	25	36
18	9503392	Wire Harness 12 Ft. Extension	1	1
19	9503393	Wire Harness 24 Ft. Extension	6	6
20	9503389	Wire Harness, RCM Accuflow HP	1	1

1.5" Flow Control Valve

Please visit www.unverferth.com/parts/ for the most current parts listing.



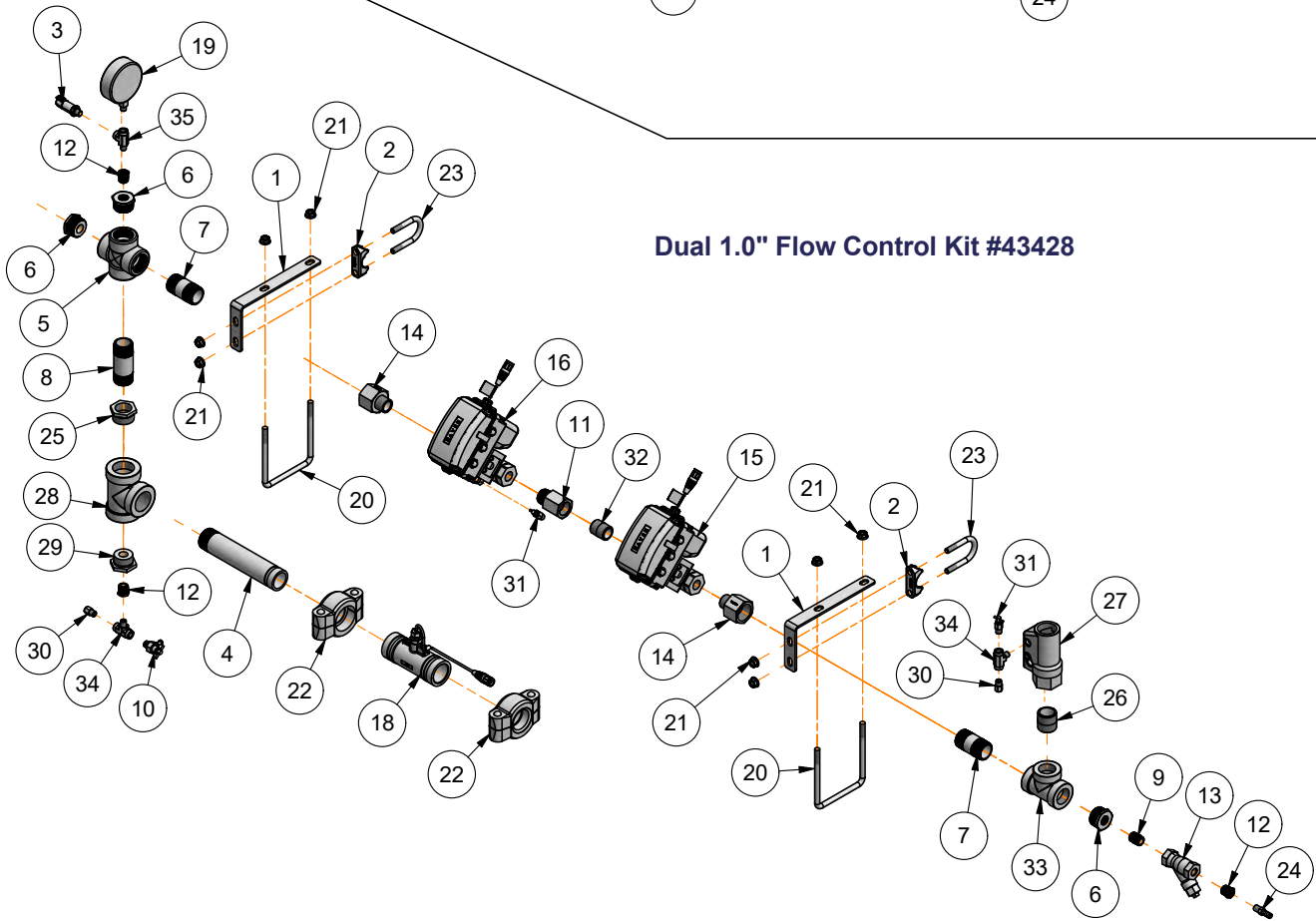
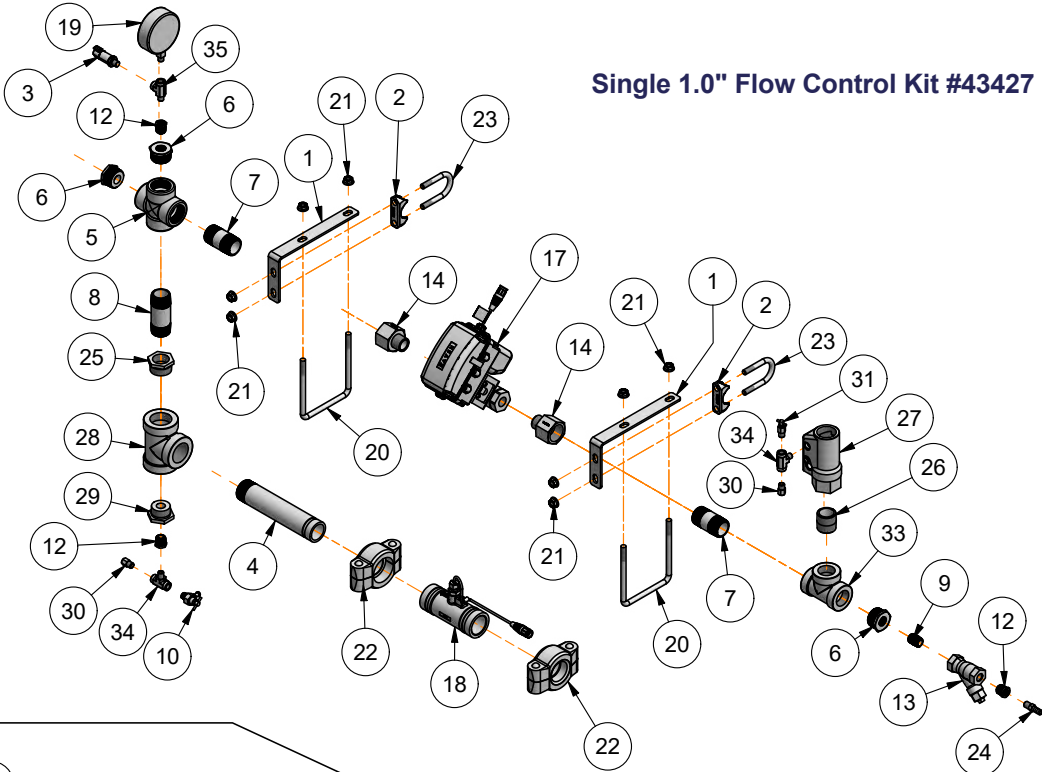
1.5” Flow Control Valve

Please visit www.unverferth.com/parts/ for the most current parts listing.

ITEM	PART NUMBER	DESCRIPTION	Single 1.5” Flow Control Kit #43426	Dual 1.5” Flow Control Kit #43742
1	9503297	Gauge Tree Manifold Weldment	1	1
2	9503299	Pressure Transducer 1-5 Volt, 0-250 PSI	1	1
3	9503333	Pipe Nipple 1/2” x 1 1/2” (Close)	1	1
4	9503335	Bleeder Valve 1/4-18 NPT w/T-Handle	1	1
5	9503337	Pipe Adapter Bleeder & Gauge	-	1
6	9503338	Reducer Bushing, 1/2-14NPT Male x 1/4-18 NPT Female	1	1
7	9503339	NH3 Strainer “Y”, 1/2-14 NPT, 60 Mesh Screen	1	1
	9504222	Service Gasket - 1/2” NH3 Strainer Cap	-	-
8	9503349	NH3 Flow Meter RFM 60SG	1	1
9	9503350	NH3 Electric 1 1/2” NPT Fast Valve Regulating	1	-
10	9503351	NH3 Electric 1 1/2” NPT, Control Valve	-	1
11	9503352	NH3 Electric 1 1/2” NPT, On/Off Valve	-	1
12	9503354	NH3 Pressure Gauge, 0-400 PSI	1	1
13	9503384	NH3 Vapor Sensor	1	-
14	9503827	Coupling 2” x 1 1/2” Gruvlok, Reducing	2	2
15	JCP2308	Hose Barb 1/4 NPT Male x 3/8 Hose	1	1
16	JCP2584	Reducer Bushing, 1 1/2-11.5 NPT Male x 1 1/4-11.5 NPT Female	1	1
17	JCP2728	Nipple 1 1/2-11.5 NPT Male x 1 3/4 (Close)	2	3
18	JCP2736	Back Check Valve 1 1/2 Full Port Swing Valve 1 1/2-11.5 NPT Female Inlet/Outlet	1	1
19	JCP2738	Pipe Tee 1 1/2-11.5 NPT Female	1	1
20	JCP2739	Reducer Bushing, 1 1/2-11.5 NPT Male x 1/2-14 NPT Female	1	1
21	JCP2837	Hydrostatic Relief Valve, Set @ 350 PSI	2	3
22	JCP2838	Bleeder Valve 1/4-18 NPT w/T-Handle	1	2
23	TA0-904640-0	Tee 1/4-18 NPTF Female x 1/4-18 NPTF Female x 1/4-18 NPTF Male	2	3
24	JCP2726	90° Elbow, 1 1/2”	1	1

1.0" Flow Control Valve (Optional)

Please visit www.unverferth.com/parts/ for the most current parts listing.



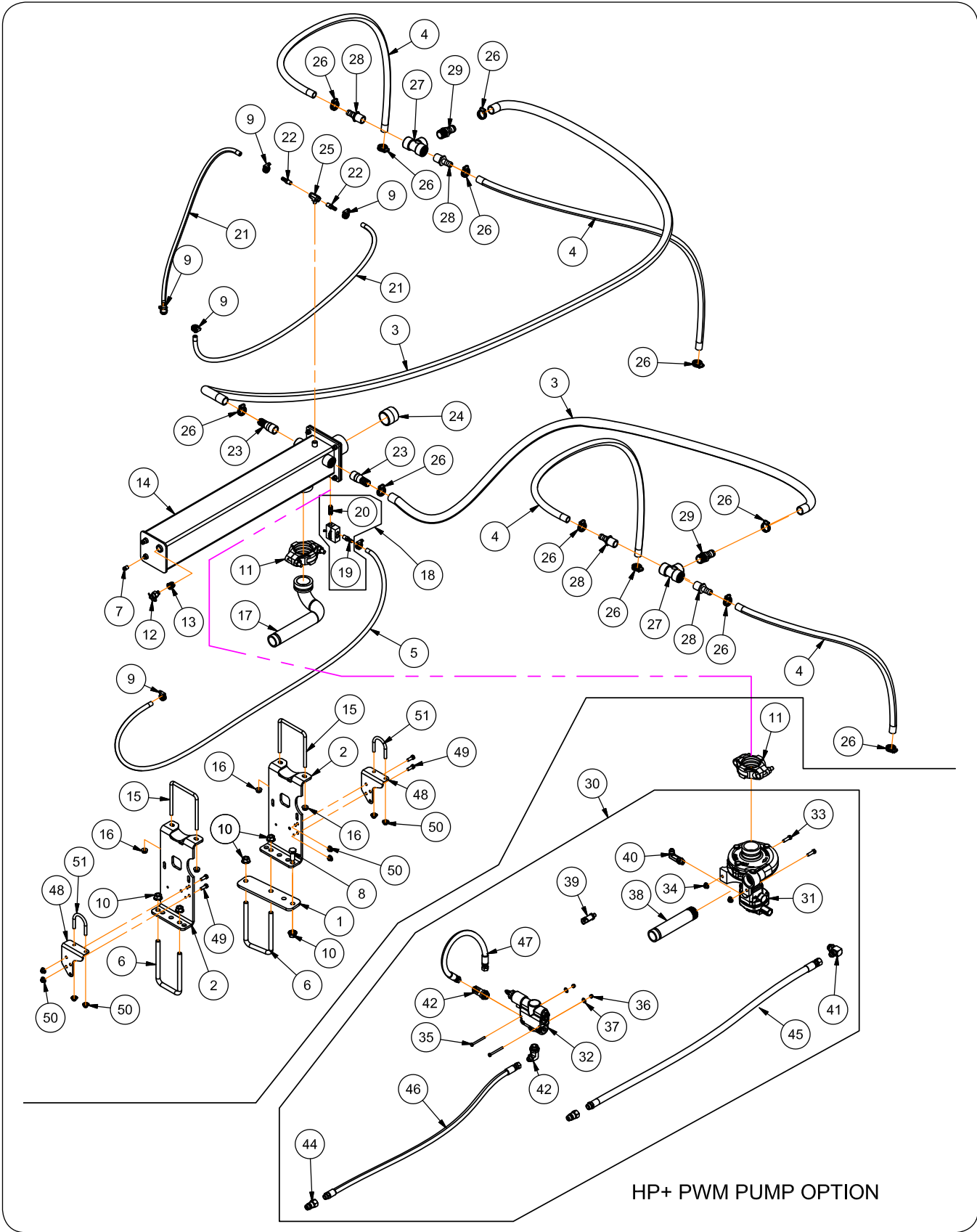
1.0” Flow Control Valve (Optional)

Please visit www.unverferth.com/parts/ for the most current parts listing.

ITEM	PART NUMBER	DESCRIPTION	Single 1.0” Flow Control Kit #43427	Dual 1.0” Flow Control Kit #43428
1	44638B	Support Bracket	2	2
2	84735B	Clamp Casting	2	2
3	9503299	Pressure Transducer 1-5 Volt, 0-250 PSI	1	1
4	9503327	Pipe Nipple 1 1/2” x 9”	1	1
5	9503328	Pipe Cross 1 1/4-11.5 NPT Female	1	1
6	9503329	Reducer Bushing, 1 1/4-11.5 NPT Male x 1/2-14 NPT Female	3	3
7	9503330	Pipe Nipple 1 1/4” x 3” (Thread Both Ends)	2	2
8	9503332	Pipe Nipple 1 1/4” x 4” (Thread Both Ends)	1	1
9	9503333	Pipe Nipple 1/2” x 1 1/2” (Close)	1	1
10	9503335	Bleeder Valve 1/4-18 NPT w/T-Handle	1	1
11	9503336	Pipe Adapter Bleeder & Gauge	-	1
12	9503338	Reducer Bushing, 1/2-14NPT Male x 1/4-18 NPT Female	3	3
13	9503339	NH3 Strainer “Y”, 1/2-14 NPT, 60 Mesh Screen	1	1
	9504222	Service Gasket - 1/2” NH3 Strainer Cap	-	-
14	9503340	Pipe Adapter Expanding, 1-11.5NPT Male x 1 1/4-11.5 NPT Female	2	2
15	9503343	NH3 Electric 1” NPT, On/Off Valve	-	1
16	9503344	NH3 Electric 1” NPT, Control Valve	-	1
17	9503345	NH3 Electric 1” NPT Fast Valve Regulating	1	-
18	9503349	NH3 Flow Meter RFM 60SG	1	1
19	9503354	NH3 Pressure Gauge, 0-400 PSI	1	1
20	9503358	U-Bolt, 7/16”-14UNC x 6”, 5 1/2” C/C	2	2
21	9503359	Flange Nut, 7/16”-14UNC	8	8
22	9503827	Coupling 2” x 1 1/2” Gruvlok, Reducing	2	2
23	95914	U-Bolt, 7/16”-14UNC x 3.12”, 2.12” C/C	2	2
24	JCP2308	Hose Barb 1/4 NPT Male x 3/8 Hose	1	1
25	JCP2584	Reducer Bushing, 1 1/2-11.5 NPT Male x 1 1/4-11.5 NPT Female	1	1
26	JCP2727	Nipple 1 1/4-11.5 NPT Male x 1 5/8 (Close)	1	1
27	JCP2735	Back Check Valve 1 1/4 Full Port Swing Valve 1 1/4-11.5 NPT Female Inlet/Outlet	1	1
28	JCP2738	Pipe Tee 1 1/2-11.5 NPT Female	1	1
29	JCP2739	Reducer Bushing, 1 1/2-11.5 NPT Male x 1/2-14 NPT Female	1	1
30	JCP2837	Hydrostatic Relief Valve, Set @ 350 PSI	2	3
31	JCP2838	Bleeder Valve 1/4-18 NPT w/T-Handle	1	2
32	JDP4034	Nipple 1-11.5 NPT Male x 1 9/16” (Close)	-	1
33	JDP4037	Pipe Tee 1 1/4-11.5 NPT Female	1	1
34	TA0-904640-0	Tee 1/4-18 NPTF Female x 1/4-18 NPTF Female x 1/4-18 NPTF Male	2	3
35	TA0-934667-0	Street Tee 4MPT-4FPT-4FPT	1	1

Cooler - Vortex

Please visit www.unverferth.com/parts/ for the most current parts listing.



AT6020 — Parts

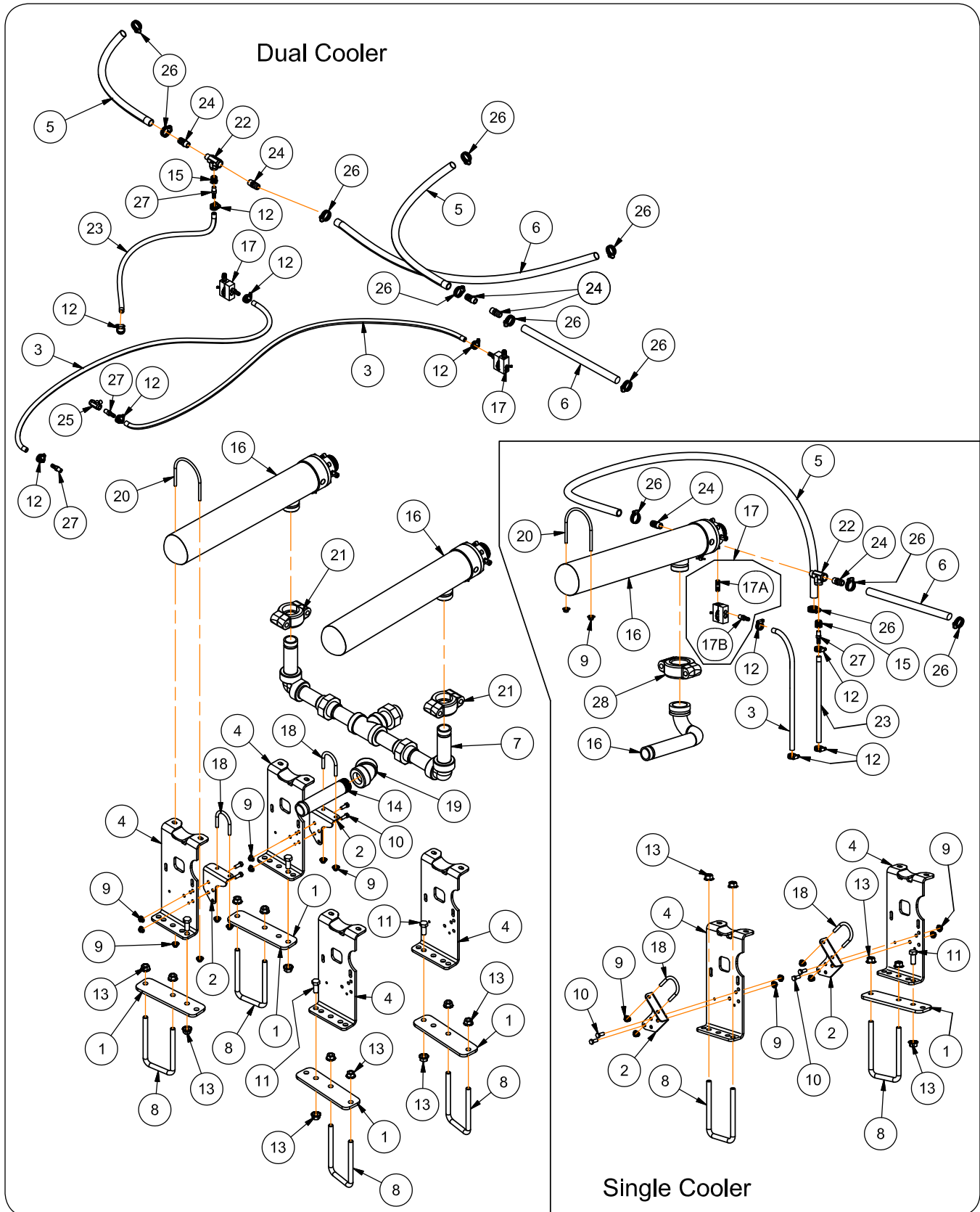
Cooler - Vortex

Please visit www.unverferth.com/parts/ for the most current parts listing.

ITEM	PART NUMBER	DESCRIPTION	50 GPM Cooler Kit #43701	80 GPM Cooler Kit #43429
1	44241B	Mounting Plate	1	1
2	46126B	Mounting Bracket	2	2
3	44460	EVA Tubing, 1.31" OD x 1.0" ID x 180", Reinforced	2	2
4	44461	EVA Tubing, 1.0" OD x 3/4" ID x 96", Non-Reinforced	4	4
5	44462	EVA Tubing, 0.63" OD x 3/8" ID x 84", Non-Reinforced	1	1
6	9002068	U-Bolt, 5/8"-11UNC x 7 1/2", 4 11/16" C/C	2	2
7	92350	Plug, 1/4-18 NPTF Male, Square Head	1	-
8	9390-122	Capscrew, 5/8"-11UNC x 1 1/2" G5	1	1
9	94050	Hose Clamp 11-25MM (Size 08)	6	6
10	9502324	Flange Nut, 5/8"-11UNC G5	5	5
11	9503296	Coupling 2 1/2 Gruvlok, Flexible w/EDPM Gasket & Hdw	1	1
12	9503335	Bleeder Valve 1/4-18 NPT w/T-Handle	1	1
13	9503338	Reducer Bushing, 1/2-14NPT Male x 1/4-18 NPT Female	1	1
14	9503348	NH3 Vortex Cooler, Working Pressure 250 PSI	1	1
	9504225	Vortex Cooler, Seal/Hardware Kit	-	-
15	9503358	U-Bolt, 7/16"-14UNC x 6", 5 1/2" C/C	2	2
16	9503359	Flange Nut, 7/16"-14UNC	4	4
17	9503363	Outlet Manifold Weldment	1	-
18	9503373	Adjustable Orifice Valve 1/4-18 NPT	1	1
	9504221	Orifice Valve O-Ring Repair Kit	-	-
19	JCP2308	Hose Barb 1/4 NPT Male x 3/8 Hose	1	1
20	9503429	Pipe Nipple, 1/4" x 1 1/2" (Threaded Both Ends)	1	1
21	JCCP2569	EVA Tubing, 0.63" OD x 3/8" ID x 4", Non-Reinforced	2	2
22	JCP2308	Hose Barb 1/4 NPT Male x 3/8 Hose	2	2
23	JCP2310	Hose Barb 1", 1-11.5 NPT	2	2
24	JCP2729	Nipple, 2-11.5 NPT Male x 2 (Close)	1	1
25	TA0-904640-0	Tee 1/4-18 NPTF (Female x Female x Male)	1	1
26	TA800912	Hose Clamp 13/16"-1 1/2"	12	12
27	TA814782	Tee Poly 1-11 1/2 NPTF (Female x Female x Female)	2	2
28	TA814865	Hose Barb 1-11.5 MPT x 3/4 HS	4	4
29	TA814866	Hose Barb 1-11 1/2 MPT x 1 HS	2	2
30	9503295	Pump Upgrade Kit	-	1
31	9503355	NH3 HP+ Boost Pump & Hydraulic Motor	-	1
	9504226	Seal Kit (Hydraulic Motor)	-	-
	9504227	Seal Kit (Boost Pump)	-	-
32	9503490	Hydraulic PWM Control Valve, 10GPM	-	1
33	9390-056	Capscrew, 3/8"-16UNC x 1 1/4" G5	-	2
34	91263	Nut/Large Flange, 3/8"-16UNC	-	2
35	900900-012	Capscrew, 1/4"-20UNC x 2 3/4" (Stainless Steel)	-	2
36	900905-007	Elastic Stop Nut, 1/4"-20UNC (Stainless Steel)	-	2
37	900902-032	Flat Washer, 1/4" USS (Stainless Steel)	-	2
38	9503327	Pipe Nipple 1 1/2" x 9" (Stainless Steel)	-	1
39	9503299	Pressure Transducer 1-5 Volt, 0-250 PSI	-	1
40	901568	90° Elbow Extra Long, 3/4-16 JIC Male x 3/4-16 Male O-Ring	-	1
41	95540	90° Elbow, 7/8-14 JIC Male x 7/8-14 O-Ring Male	-	1
42	98218	90° Elbow, 3/4-16 JIC Male x 1 1/16-12 O-Ring Male	-	2
43	95477	Pioneer Male Tip, SAE 7/8-14 Female O-Ring	-	1
44	91383	Male Tip Coupling 3/4-16 O-Ring Female	-	1
45	9503491	Hose 5/8" Dia. x 192", 7/8-14 JIC Female x 7/8-14 O-Ring Male	-	1
46	9503492	Hose 1/2" Dia. x 194", 3/4-16 JIC Female x 3/4-16 O-Ring Male	-	1
47	9503493	Hose 1/2" Dia. x 22", 3/4-16 JIC Female x 3/4-16 JIC Female	-	1
48	44275B	Flow Control Support Plate	2	2
49	9390-055	Capscrew, 3/8"-16UNC x 1" G5	4	4
50	91263	Large Flange Nut, 3/8"-16UNC	8	8
51	9503416	U-Bolt, 3/8"-16UNC x 2 7/8", 2 1/2" C/C	2	2

Cooler - Continental (Optional)

Please visit www.unverferth.com/parts/ for the most current parts listing.



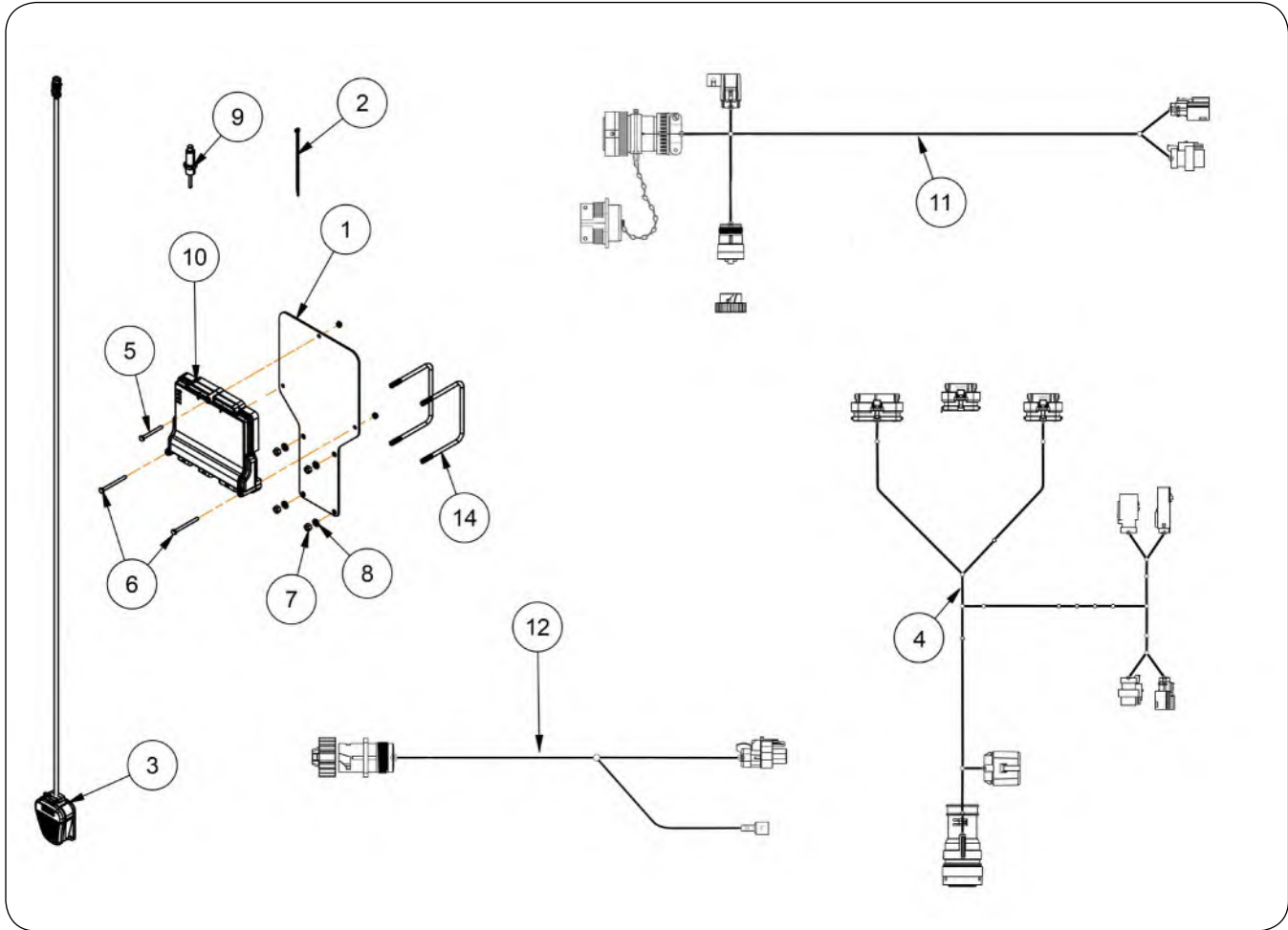
Cooler - Continental (Optional)

Please visit www.unverferth.com/parts/ for the most current parts listing.

ITEM	PART NUMBER	DESCRIPTION	Single Cooler Kit #43424	Dual Cooler Kit #43425
1	44241B	Mounting Plate	1	4
2	44275B	Flow Control Support Plate	2	2
3	44462	EVA Tubing, 0.59" OD x 3/8" ID x 84"	1	2
4	46126B	NH3 Cooler Mounting Bracket Weldment	2	4
5	46661	EVA Tubing, 1" OD x 3/4" ID x 240"	1	2
6	46662	EVA Tubing, 1" OD x 3/4" ID x 288"	1	2
7	46773B	Dual Cooler Discharge Plumbing Assembly, 1 1/2" Connections	-	1
8	9002068	U-Bolt, 5/8"-11UNC x 7 1/2", 4 11/16" C/C	2	4
9	91263	Large Flange Nut, 3/8"-16UNC	12	16
10	9390-055	Capscrew, 3/8"-16UNC x 1" G5	4	4
11	9390-122	Capscrew, 5/8"-11UNC x 1 1/2" G5	1	4
12	94050	Hose Clamp 11-25MM (Size 08)	4	6
13	9502324	Flange Nut, 5/8"-11UNC G5	5	12
14	9503327	Pipe Nipple, 1 1/2" x 9" (Stainless Steel)	-	1
15	9503338	Reducer Bushing, 1/2-14NPT Male x 1/4-18 NPT Female	1	1
16	9503361	NH3 Superflow Heat Exchanger, 2" NPT Inlet, 2" Victaulic Outlet	1	2
	9504220	Superflow Cooler Repair Kit	-	-
17	9503373	Adjustable Orifice Valve 1/4-18 NPT	1	2
	9504221	Orifice Valve O-Ring Repair Kit	-	-
17A	9503429	Pipe Nipple, 1/4" x 1 1/2" (Threaded Both Ends)	-	-
17B	JCP2308	Hose Barb 1/4 NPT Male x 3/8 Hose	-	-
18	9503416	U-Bolt, 3/8"-16UNC x 2 7/8", 2 1/2" C/C	2	2
19	9503479	45° Elbow, 1 1/2-11.5 NPT Female x 1 1/2-11.5 NPT Female	-	1
20	9503652	U-Bolt, 3/8"-16UNC x 5 5/16", 4 7/8" C/C	2	4
21	9503827	Reducing Coupling, 2 x 1 1/2	-	2
22	9659	Tee 1/2-14 NPTF (Male x Female x Female)	1	1
23	JCCP2569	EVA Tubing, 0.63" OD x 3/8" ID x 4", Non-Reinforced	1	1
24	JCP2874	Hose Barb 1/2 NPT Male x 3/4 Hose	2	4
25	TA0-904640-0	Tee 1/4-18 NPTF (Female x Female x Male)	-	1
26	TA800912	Hose Clamp 13/16"-1 1/2"	4	8
27	JCP2308	Hose Bar, 1/4 NPT Male x 3/8 Hose	1	3
28	9503334	Reducing Coupling 2 1/2 x 2 Gruvlok w/EDPM Gasket & Hardware	1	-
29	9503363	Outlet Manifold Weldment	1	-

ISOBUS Rate Controller

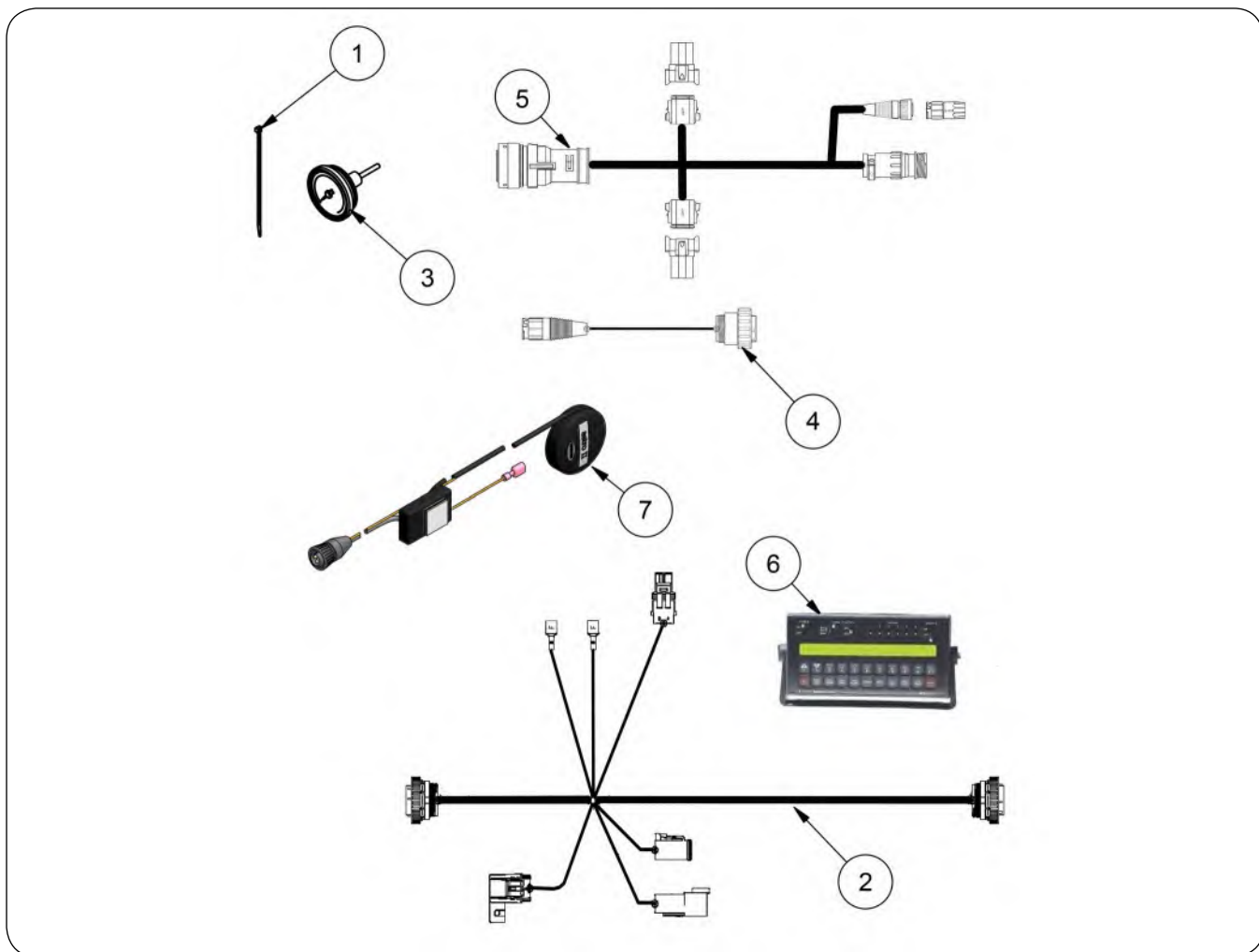
Please visit www.unverferth.com/parts/ for the most current parts listing.



ITEM	PART NUMBER	DESCRIPTION	QTY	NOTES
	43836	ISOBUS Rate Controller		
1	44277B	RCM Mounting Plate	1	
2	9000106	Cable Tie 7 1/2"	6	
3	9005916	Foot Switch, ISO NODE w/Harness	1	
4	9008095	Wire Harness, RCM ECU 47-Pin Rate	1	
5	9390-011	Capscrew, 1/4"-20UNC x 2 1/2" G5	1	
6	9390-013	Capscrew, 1/4"-20UNC x 3" G5	2	
7	9394-006	Hex Nut, 3/8"-16UNC	4	
8	9404-021	Lock Washer, 3/8"	4	
9	9503384	NH3 Vapor Sensor	1	
10	9503386	Rate Control Module	1	
11	9503387	Wire Harness, 12 Ft. Adapter 9-Pin IBIC to Gen 1, Hitch Cable	1	
12	9503390	Wire Harness, Foot Switch 23 Ft.	1	
13	9936	Lock Nut, 1/4"-20UNC	3	
14	JBP3045	U-Bolt, 3/8"-16UNC x 5", 6 7/16" C/C	2	

Raven 450 Rate Controller Option

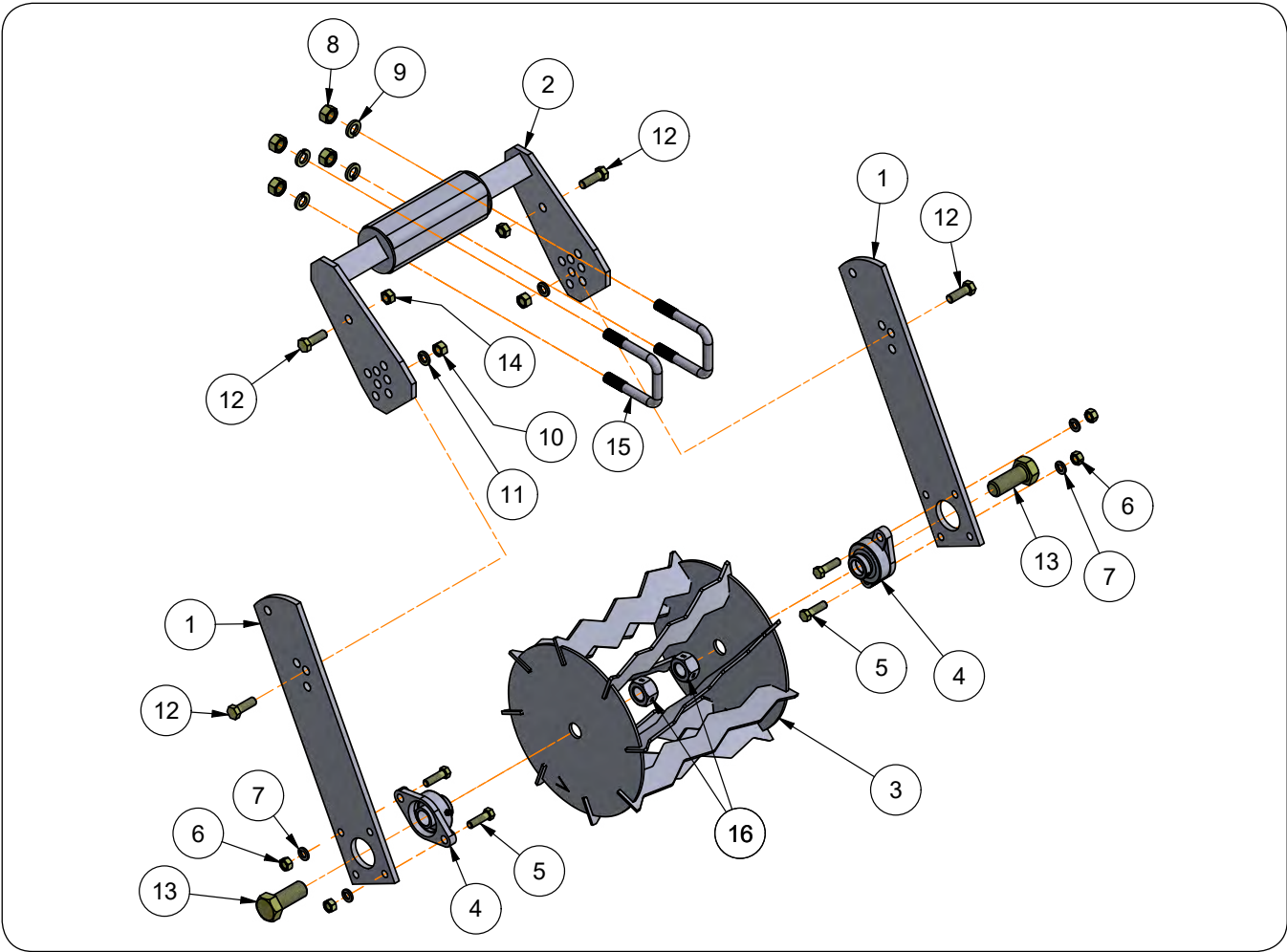
Please visit www.unverferth.com/parts/ for the most current parts listing.



ITEM	PART NUMBER	DESCRIPTION	QTY	NOTES
	43443	Raven 450 Rate Controller		
1	9000106	Cable Tie 7 1/2"	6	
2	9007549	Harness - Console	1	
3	9503298	Temperature Gauge	1	
4	9503395	Wire Harness, Console 10 Ft. (Transducer to Console)	1	
5	9503396	Wire Harness, 16-Pin (Console to 47-Pin Connector)	1	
6	TA720315	Control Console, Raven SCS 450	1	
7	TA723025	Astro GPS Speed Sensor	1	

Torsion Arm Basket (Short Arms) Components

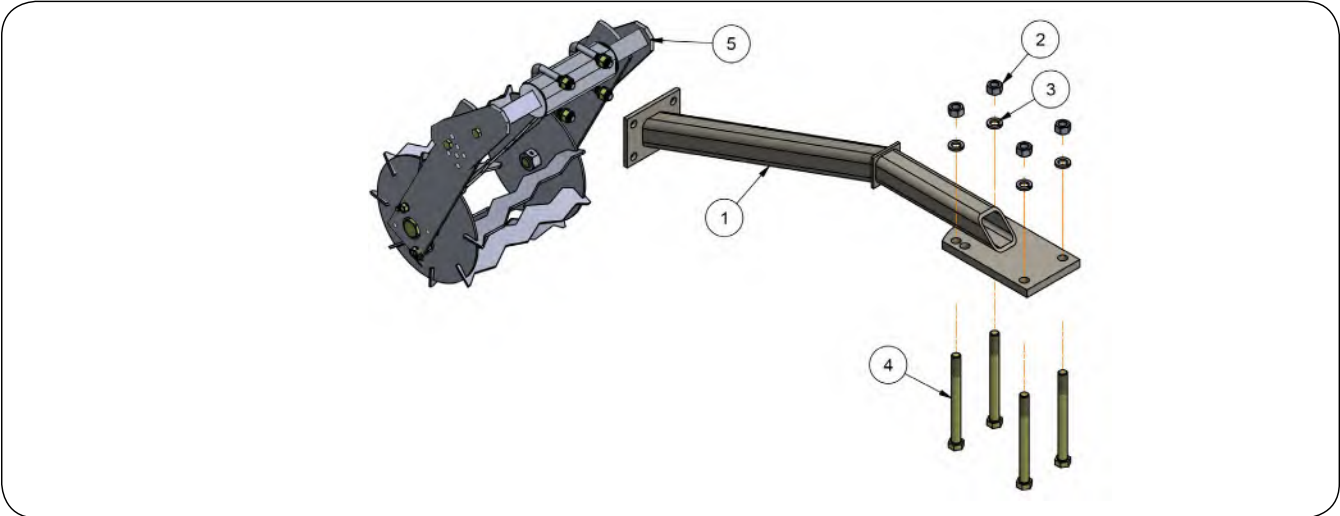
Please visit www.unverferth.com/parts/ for the most current parts listing.



ITEM	PART NUMBER	DESCRIPTION	QTY	NOTES
	J70210641	Torsion Arm & 12 3/4" Basket Assembly, Short	1	Includes Items 1-16
1	JAM2269	Strip-Till Basket Mount, Short (18 3/4")	2	
2	JAM7568	Strip-Till Torsion Spring Assembly	1	
3	JAM7615	Strip-Till Basket, 12 3/4"	1	
4	JAP2144	Bearing HCFT205-16	2	
5	9390-080	Capscrew, 7/16"-14UNC x 1 1/2", G5	4	
6	9394-008	Hex Nut, 7/16"-14UNC	4	
7	9404-023	Lock Washer, 7/16"	4	
8	9394-014	Hex Nut, 5/8"-11UNC	4	
9	9404-029	Lock Washer, 5/8"	4	
10	9394-010	Hex Nut, 1/2"-13UNC	2	
11	9404-025	Lock Washer, 1/2"	2	
12	9390-101	Capscrew, 1/2"-13UNC x 1 1/2" G5	4	
13	9390-185	Capscrew, 1"-8UNC x 2 1/2", G5	2	
14	9800	Lock Nut/Center, 1/2"-13UNC	2	
15	JBP3300	U-Bolt, 5/8"-11UNC x 2 1/2" x 4	2	
16	92199	Hex Lock Nut, 1"-8UNC, Reversible	2	

Torsion Arm/Rigid Basket Mounting Brackets
Rigid Fertilizer Rows - 6" x 6" - Bundle #J70210592
Rigid Fertilizer Rows - 4" x 6" - Bundle #J70210591

Please visit www.unverferth.com/parts/ for the most current parts listing.



ITEM	PART NUMBER	DESCRIPTION	QTY	NOTES
	J70210592	Rigid Torsion Arm/Basket for 6x6 Mounting	1	Includes Items 1-5
	J70210591	Rigid Torsion Arm/Basket for 4x6 Mounting	1	Includes Items 1-5
1	JAM2272	Rigid Basket Mount Weldment	1	
2	9394-016	Hex Nut, 3/4"-10UNC	4	
3	9404-033	Lock Washer, 3/4"	4	
4	9390-448	Capscrew, 3/4"-10UNC x 8 1/2" G5	4	For 6x6 Mounting
	9390-158	Capscrew, 3/4"-10UNC x 6 1/2" G5	4	For 4x6 Mounting
5	J70210641	Torsion Arm & 12 3/4" Basket Assembly, Short	1	

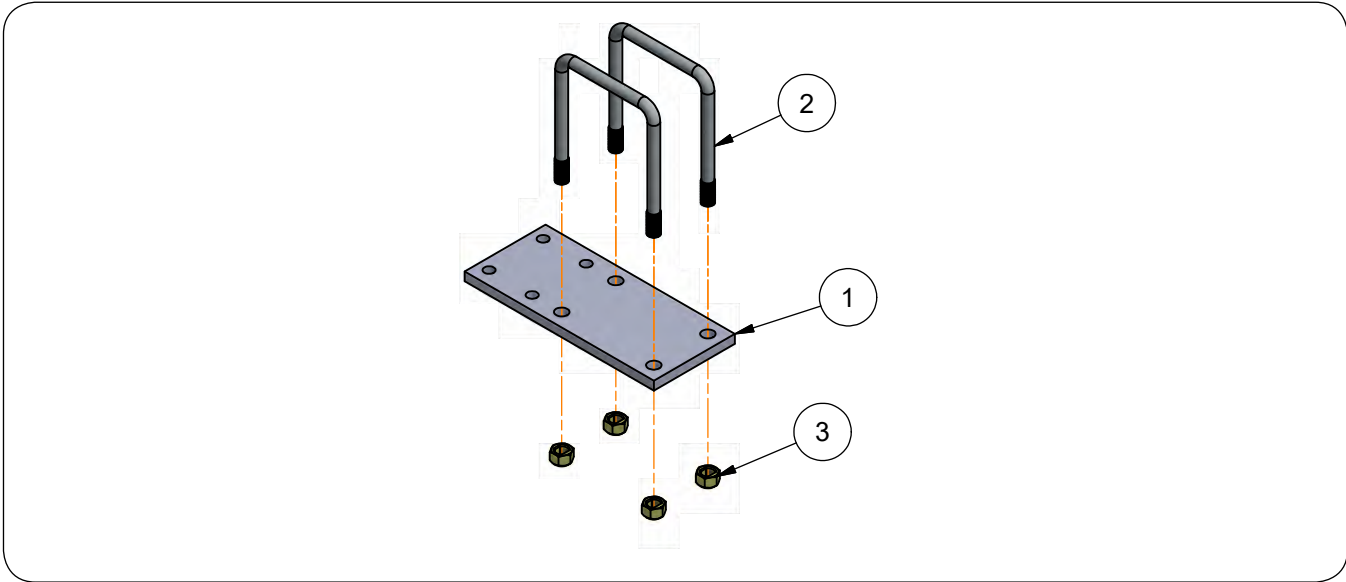
NOTE: Rigid row units require Bundle J70210641 with (1) JAM2269 shortened arms.

Basket Flat Mount with Hardware

6" x 6" Mounting - Bundle #JAAM2630

4" x 6" Mounting - Bundle #JAAM2722

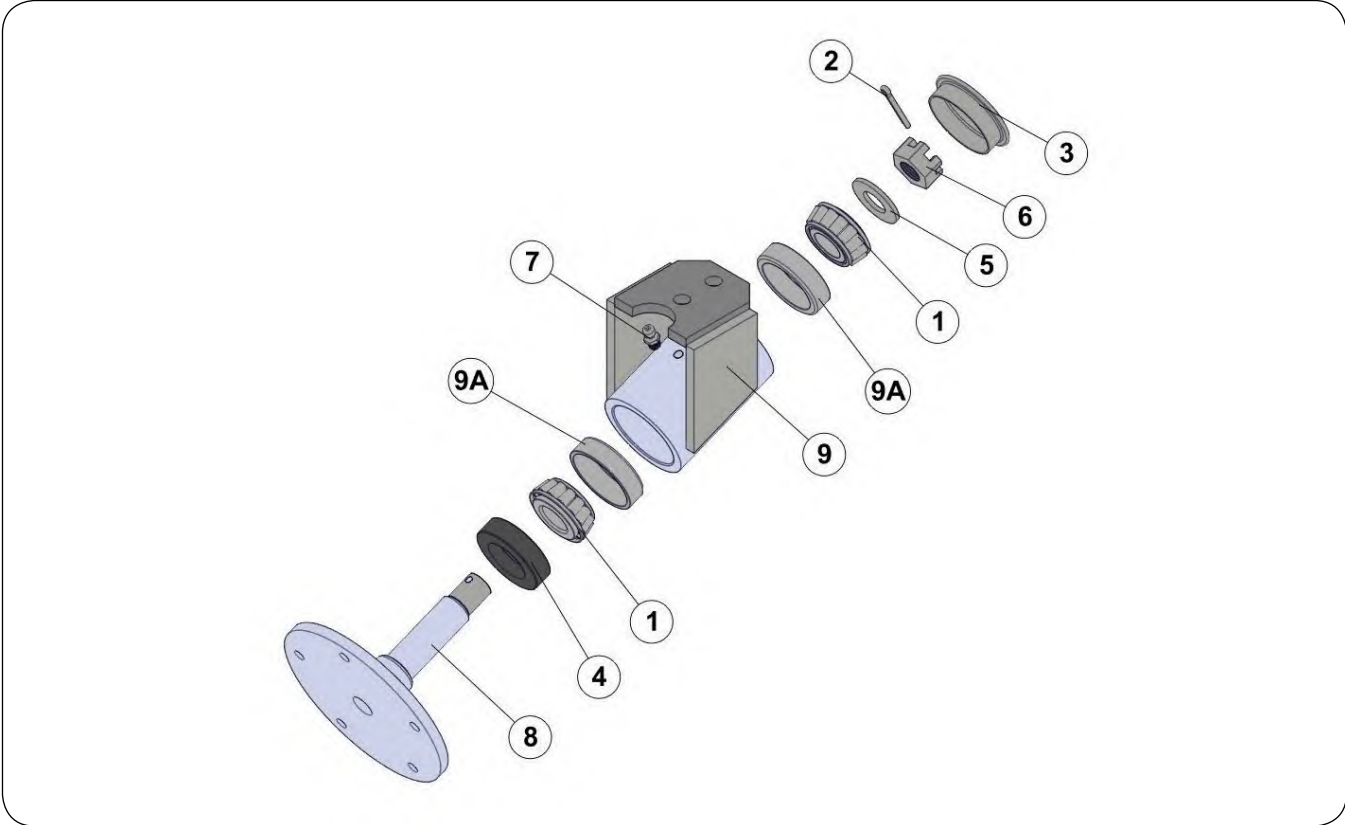
Please visit www.unverferth.com/parts/ for the most current parts listing.



ITEM	PART NUMBER	DESCRIPTION	QTY	NOTES
	JAAM2630	Basket Flat Mount w/Hardware, For 6x6 Mounting	1	Includes Items 1-3
	JAAM2722	Basket Flat Mount w/Hardware, For 4x6 Mounting	1	Includes Items 1-3
1	JAM7637	Basket Mount Plate	1	
2	JBP3350	U-Bolt, 3/4"-10UNC x 6"W x 7 11/16"L	2	For 6x6 Mounting
	JBP3208	U-Bolt, 3/4"-10UNC x 6"W x 5 11/16"L	2	For 4x6 Mounting
3	9802	Lock Nut/Top, 3/4"-10UNC	4	

Residue Manager Blade Mounting Assembly (JAM7670)

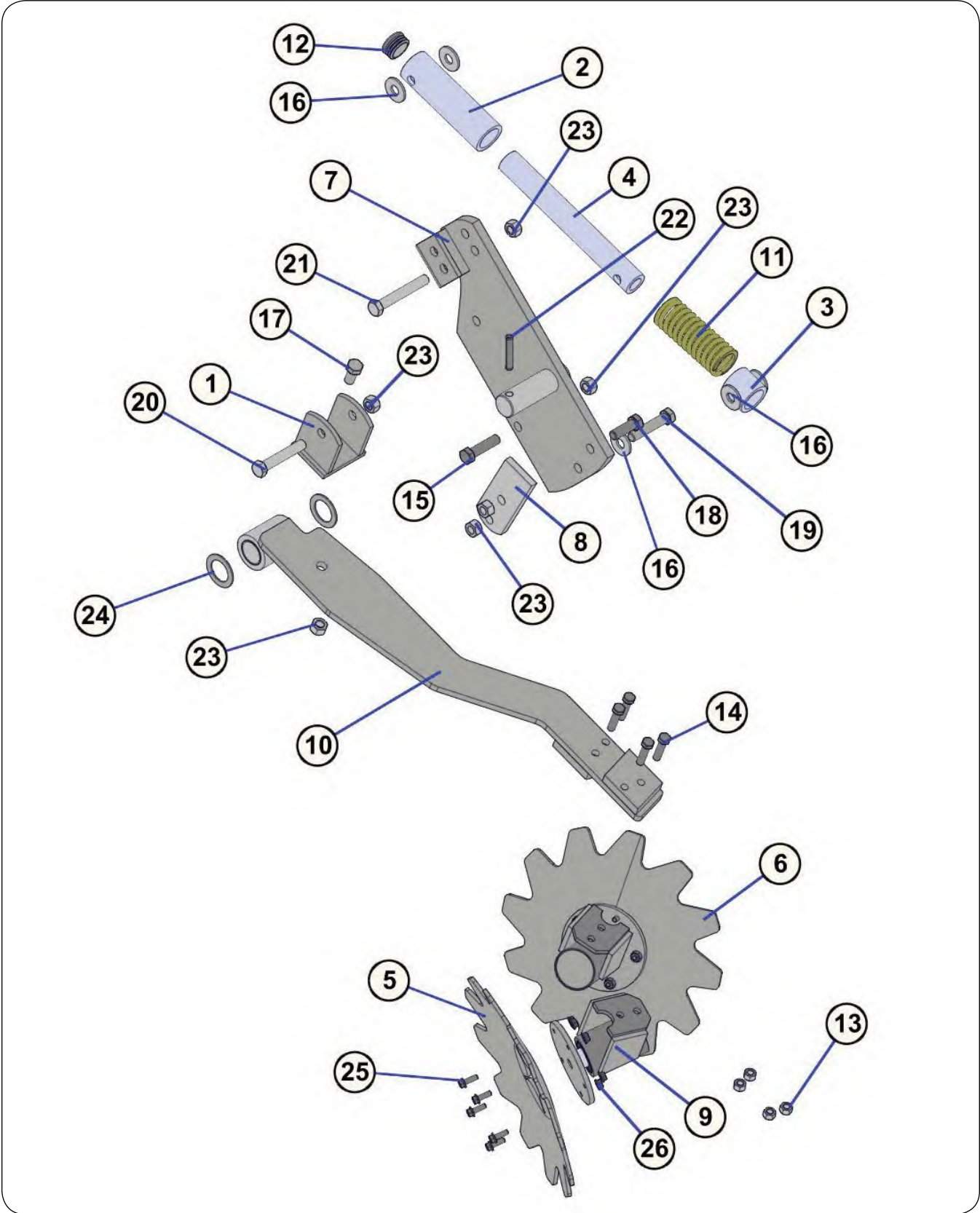
Please visit www.unverferth.com/parts/ for the most current parts listing.



ITEM	PART NUMBER	DESCRIPTION	QTY	NOTES
	JAM7670	Residue Manager Blade Mounting Assembly	-	Includes Items 1-9
1	9789	Bearing Cone, .750" ID (LM11949)	2	
2	9391-023	Cotter Pin, 1/8" Dia. x 1"	1	
3	JAP2729	Hub Cap	1	
4	JAP2742	Grease Seal (10174VB)	1	
5	9791	Flat Washer, 21/32" ID	1	
6	9393-014	Slotted Nut 5/8"-18UNF G2	1	
7	91160	Grease Zerk 1/4"-28 STT	1	
8	JEM3710B	Blade Mounting Weldment	1	
9	JEM6659	Residue Manager Mounting Weldment with Cups	1	
9A	9784	Bearing Cup, 1.781" OD (LM11910)	2	

StripTill Residue Manager Components (J70210646)

Please visit www.unverferth.com/parts/ for the most current parts listing.



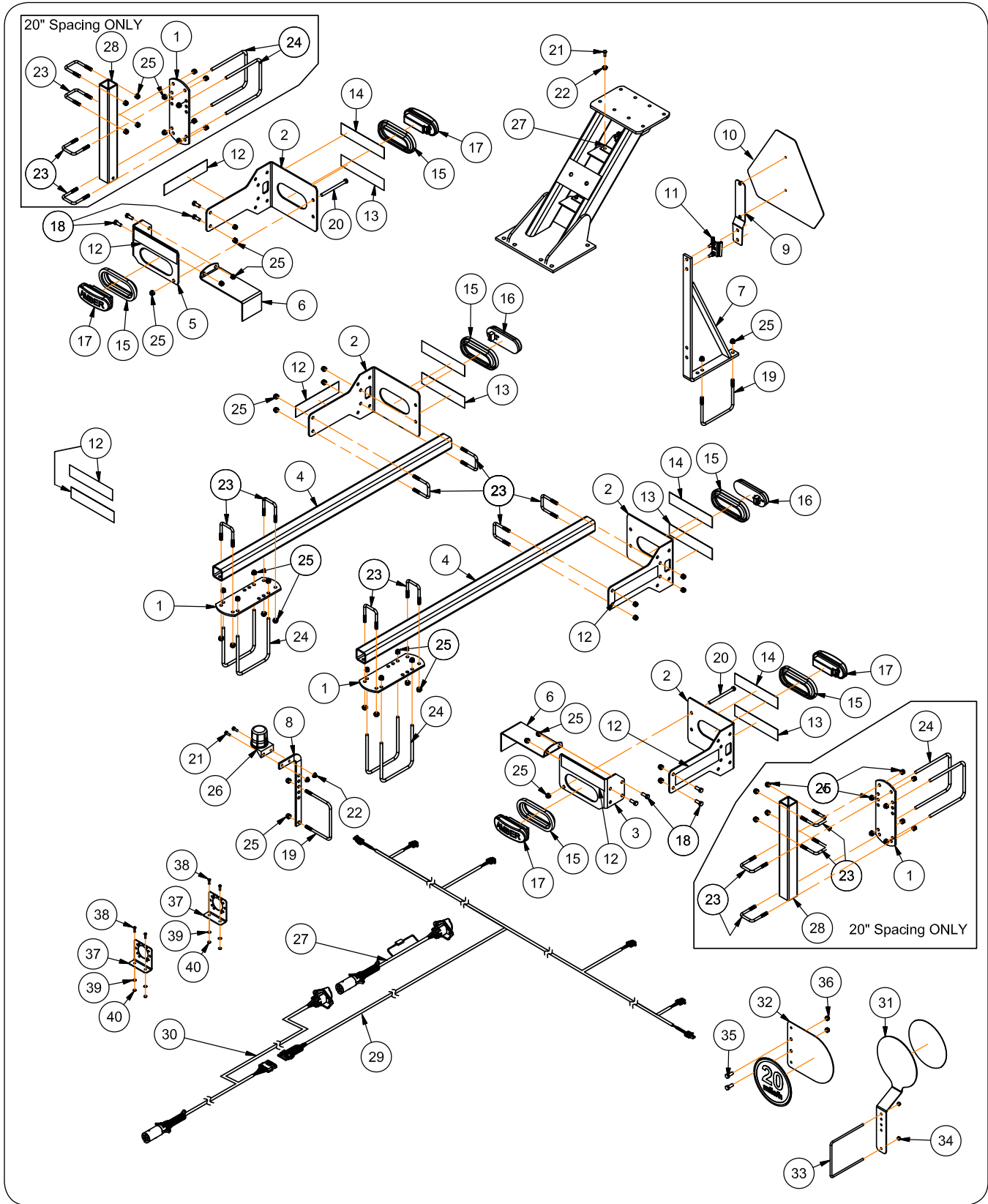
StripTill Residue Manager Components (J70210646)

Please visit www.unverferth.com/parts/ for the most current parts listing.

ITEM	PART NUMBER	DESCRIPTION	QTY	NOTES
	J70210646	StripTill Residue Manager, 1 Row	1	Includes Items 1-26
1	JAM2489	Lower Clevis Plate	1	
2	JAM2490	Upper Spring Tube	1	
3	JAM2491	Spring Collar Bushing	1	
4	JAM2492	Spring Guide Tube	1	
5	JAM7662	Blade 3/16" x 12 1/2" Dia. Left-Hand	1	
6	JAM7663	Blade 3/16" x 12 1/2" Dia. Right-Hand	1	
7	JAM7667	Spring Pivot Arm Mounting Bracket Weldment	1	
8	JAM7669	Arm Stop Bracket	1	
9	JAM7670	Blade Mounting Assembly	2	
10	JAM7671	Bolt-On Blade Mounting Arm Weldment w/Pivot Tube	1	
11	JAP2997	Compression Spring, 1.75" OD X 1.313" ID X 6.00"	1	
12	JAP3116	Tube Plug, 1 3/8" Dia.	1	
13	902875	Lock Nut/Center, 3/8"-16UNC	4	
14	9390-057	Capscrew, 3/8"-16UNC x 1 1/2" G5	4	
15	9390-103	Capscrew, 1/2"-13UNC x 2" G5	1	
16	9405-088	Flat Washer, 1/2" USS	5	
17	9390-099	Capscrew, 1/2"-13UNC x 1" G5	1	
18	9390-101	Capscrew, 1/2"-13UNC x 1 1/2" G5	1	
19	9390-105	Capscrew, 1/2"-13UNC x 2 1/2" G5	1	
20	9390-107	Capscrew, 1/2"-13UNC x 3" G5	1	
21	9390-109	Capscrew, 1/2"-13UNC x 3 1/2" G5	1	
22	9392-180	Roll Pin, 3/8" Dia. x 2"	1	
23	94981	Lock Nut/Center, 1/2"-13UNC	6	
24	91174	Machinery Bushing, 1 7/8" OD x 1 1/4" ID x 14GA	2	
25	97420	Flange Screw, 1/4"-20UNC x 3/4" G5	10	
26	97189	Hex Nut/Large Flange, 1/4"-20UNC	10	

Lighting Components

Please visit www.unverferth.com/parts/ for the most current parts listing.



Lighting Components

Please visit www.unverferth.com/parts/ for the most current parts listing.

ITEM	PART NUMBER	DESCRIPTION	QTY		NOTES
			30" Spacing	20" Spacing	
	J4100023	Lighting Kit, For 30" Spacing Units	1	-	Includes Items 1-27, 29-30
	J4100025	Lighting Kit, For 20" Spacing Units	-	1	Includes Items 1-30
1	JAM3408	Light Post Mounting Plate	2	4	
2	JAM3414	Rear Light Bracket	4	4	
3	JAM3415	Front, Left-Hand Light Bracket	1	1	
4	JAM3416	Tube Light Bracket, 48"	2	2	
5	JAM3417	Front, Right-Hand Light Bracket	1	1	
6	JAM3418	Light Bracket Shield	2	2	
7	JAM3420	SMV Mounting Bracket, Tall	1	1	
8	JAM4575	Dust Cap Holder Bracket	1	1	
9	TA510516	SMV Spade Mounting with Hardware	1	1	
10	TA510514	SMV Emblem	1	1	
11	TA510515	SMV Socket Bracket	1	1	
12	9003127	Reflector, AMBER (2" x 9")	8	8	
13	9003126	Reflector, RED (2" x 9")	4	4	
14	9003125	Fluorescent Strip (2" x 9")	4	4	
15	97182	Grommet for Panel Light	6	6	
16	902217	Light/RED LED, 10 Diode, 3 Prong Panel Mount	2	2	
17	JAP4415	Light/AMBER LED	4	4	
18	9390-055	Capscrew, 3/8"-16UNC x 1" G5	16	12	
19	JBP3045	U-Bolt, 3/8"-16UNC x 5", 6 7/16"CC	2	2	
20	9390-069	Capscrew, 3/8"-16UNC x 5" G5	2	2	
21	97420	Flange Screw, 1/4"-20UNC x 3/4" G5	6	6	
22	97189	Hex Nut/Large Flange, 1/4"-20UNC	6	6	
23	JBP3736	U-Bolt, 3/8"-16UNC x 2"W X 3"L	8	16	
24	JBP3351	U-Bolt, 3/8"-16UNC x 7", 6 7/16CC	4	8	
25	9398-012	Elastic Lock Nut, 3/8"-16UNC	46	58	
26	9001968	Connector Holder	1	1	
27	JAP3223	Plug Electrical Harness (AP Plug to 7P RV Socket)	1	1	
28	JAM3419	Tube Light Bracket, 17 5/8"	-	2	
29	JAP3222	Rear Electrical Harness 27'	1	1	
30	JAP3221	Branch Electrical Harness 33'	1	1	
31	79340B	SIS Bracket with Decal	1	1	
32	79339B	SIS Plate with Decal	1	1	
33	97898	U-Bolt, 1/4"-20UNC x 6 5/8", 6 1/4" C/C	1	1	
34	9936	Lock Nut/Top, 1/4"-20UNC	2	2	
35	9390-055	Capscrew, 3/8"-16UNC x 1" G5	2	2	
36	9928	Lock Nut/Top, 3/8"-16UNC	2	2	
37	45304B	Universal Mounting Bracket	1	1	
38	903172-136	Pan Head #10-24UNC x 3/4", Phillips Machine Screw	2	2	
39	9405-050	Flat Washer, #10 SAE	2	2	
40	9830-017	Hex Nut, #10-24UNC	2	2	



Unverferth[®]
Manufacturing Company, Inc.

www.unverferth.com